

P	LTR	DESCRIPTION	DATE	DWN	APVD
	F2	REVISED PER ECO-11-004820	11MAR11	RK	HMR
	F3	REVISED PER ECO-17-014333	16OCT2017	RS	DR

AMP
WIRE RANGE

8 AWG
STRANDED

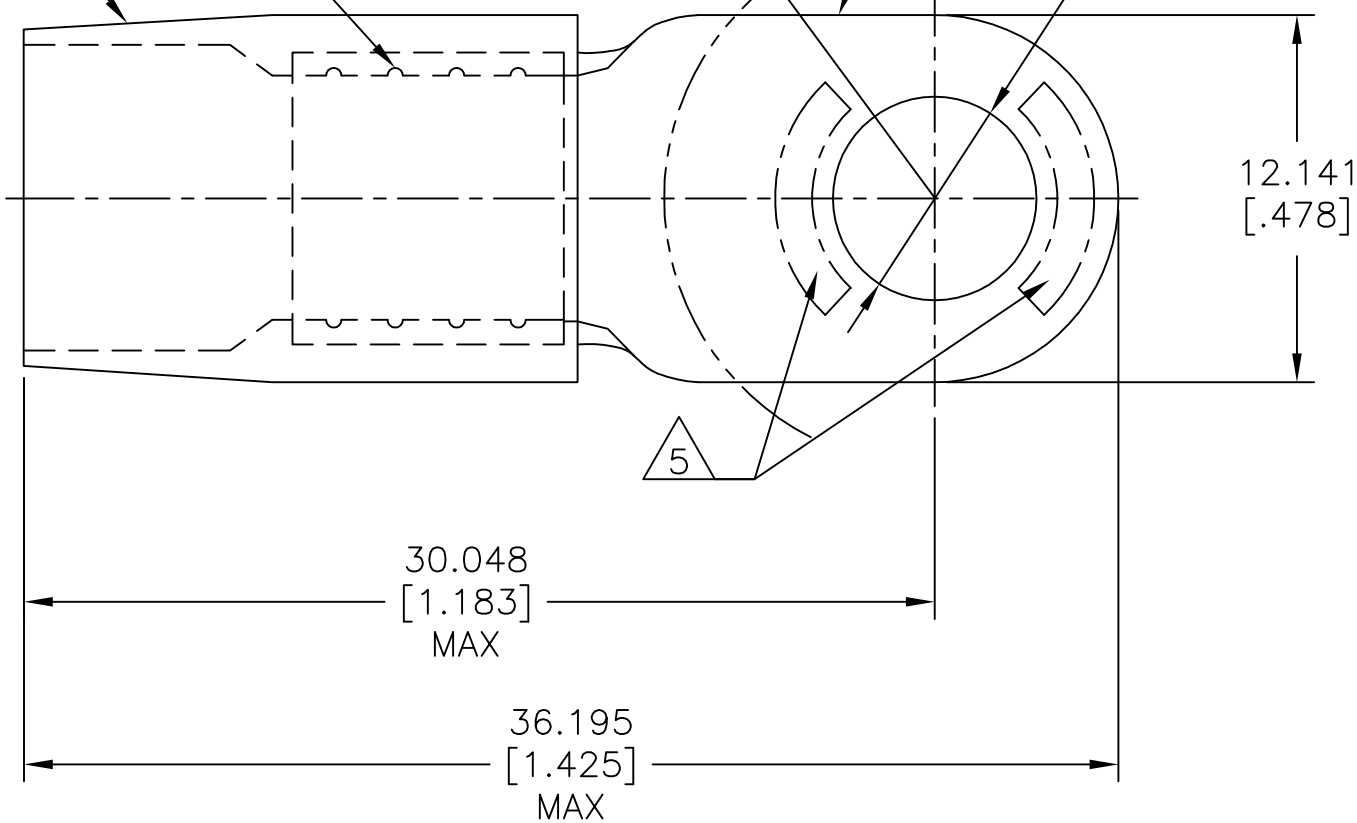
DIMPLED SURFACE

INSULATION

R 11.100
[R.437]
MAX WASHER R

BODY

$\phi 6.731 \pm 0.127$
[$\phi .265 \pm .005$]
(FOR M6[1/4] STUD)



- 1 BODY MATERIAL THK 0.991 ± 0.051 [.039±.002]
- 2 FOR $\phi 6.502$ [$\phi .256$] MAX WIRE INSULATION.
- 3 BODY - COPPER PER ASTM B-152
INSULATION - NYLON, ASTM D4066 TYPE 1
- 4 BODY - TIN PLATE PER ASTM B-545
INSULATION - COLOR-RED
- 5 STAMP AMP 8* 14 APPROX AS SHOWN.

MS25036-116 CLASS 2	100	LOOSE PC	324082
MILITARY P/N AND CLASS	QTY	PACKAGE TYPE	PART NO

MAX RECOMMENDED OPERATING TEMPERATURE: 105°C [221°F]	THIS DRAWING IS A CONTROLLED DOCUMENT.		DWN JR RUTH 6-21-93	TE Connectivity NAME TERMINAL, RING TONGUE, TERMINYL WIRE SIZE: 8 AWG					
	VOLTAGE RATING: N/A	DIMENSIONS: mm [INCHES]	TOLERANCES UNLESS OTHERWISE SPECIFIED:				CHK R. HERSEY 6-21-93		
CIRCULAR MIL AREA: 6.64-10.5mm ² [13,100-20,800] STRANDED		0 PLC ± - 1 PLC ± - 2 PLC ± - 3 PLC ± 0.127[.005] 4 PLC ± - ANGLES ± -	APVD M ELLIS 6-21-93	SIZE					
			MATERIAL	FINISH	PRODUCT SPEC SAE AS7928	CAGE CODE	DRAWING NO	RESTRICTED TO	
			APPLICATION SPEC	—	A3	00779	C=324082	—	
			WEIGHT	—	CUSTOMER DRAWING		SCALE	SHEET	REV
					4:1	1 OF 1	F3		

Mouser Electronics

Authorized Distributor

Click to View Pricing, Inventory, Delivery & Lifecycle Information:

[TE Connectivity:](#)

[324082](#)