

NOTE

- 嵌合相手: 51382-****
MATE WITH: 51382-****
- 偶数極 (列) に適用。
APPLY EVEN CIRCUIT PRODUCTS.
- キンフは両外側の位置に付加。
KINK TO BE APPLIED BOTH ENDS.
- 材質: ホリエスデル(PBT) UL94V-0
HOUSING: POLYESER(PBT) UL94V-0
ピン: 黄銅
PIN: BRASS
- めっき: ビン: 鍍めつき, リフロー処理 (前めっき) めっき厚: 1.0 μm MIN.
ニッケル下地めっき, めっき厚: 0.5 μm MIN.
FINISHES: PIN: PRE-TIN PLATED, (HEAT TREATED MATTE TIN)
PLATING THICKNESS: 1.0 μm MIN.
NICKEL UNDERPLATE OVERALL
PLATING THICKNESS: 0.5 μm MIN.
- 製品番号 MATERIAL NO.
55935-****

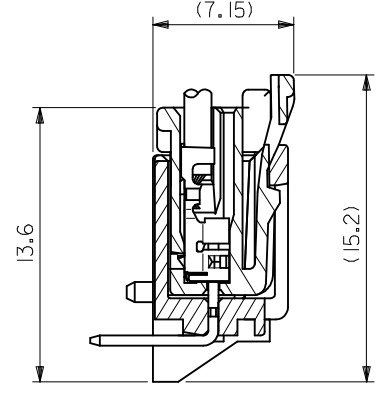
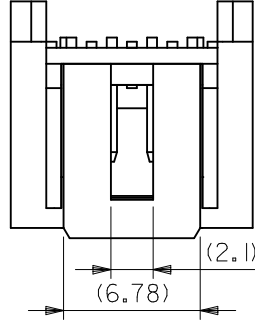
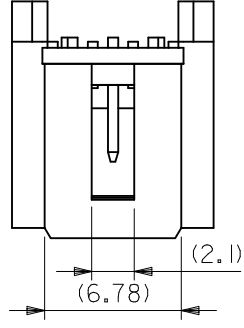
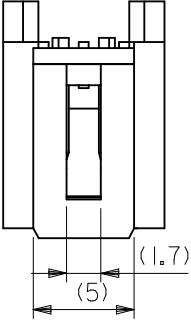
極数 CIRCUIT SIZE | 色 COLOR

10	自然色 (白) NATURAL (WHITE)				
11	黒 BLACK				
12	赤 RED				
13	黄 YELLOW				
14	青 BLUE	31	28	34	55935-15** 15
15	桃 PINK	29	26	32	55935-14** 14
16	緑 GREEN	27	24	30	55935-13** 13
17	茶 BROWN	25	22	28	55935-12** 12
18	橙 ORANGE	23	20	26	55935-11** 11
19	紫 VIOLET	21	18	24	55935-10** 10
41	灰 GRAY	19	16	22	55935-09** 9
43	蛍光黄 FLUORESCENCE YELLOW	17	14	20	55935-08** 8
44	水 PALE BLUE	15	12	18	55935-07** 7
46	黄緑 YELLOWISH GREEN	13	10	16	55935-06** 6
		11	8	14	55935-05** 5
		9	6	12	55935-04** 4
		7	4	10	55935-03** 3
		5	2	8	55935-02** 2
		C	B	A	MATERIAL NO. CKT.

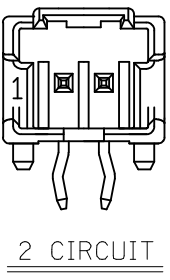
MODEL NO. : 55935-****

REVISED EC NO: J2018-0106 2017/09/25 DRWN: MIKEDA01 CHK: DAIDA 2017/09/25 APPR: KANEKO 2017/09/25	GENERAL TOLERANCES (UNLESS SPECIFIED)		DIMENSION STYLE MM ONLY		SCALE ---	DESIGN UNITS METRIC	THIRD ANGLE PROJECTION
	0.25 UNDER	UNDER	±0.03	DRAWN BY T. NIITSU	DATE '02/05/15	TITLE 2.0 W/B SINGLE CONN. PLUG HOUSING ASS'Y R/A -LEAD FREE-	
	0.25 OVER	0.5 UNDER	±0.05	CHECKED BY K. ASAKAWA	DATE '03/06/12	molex	
	0.5 OVER	1.0 UNDER	±0.1	APPROVED BY T. YAMAGUCHI	DATE '03/06/12		
1.0 OVER	10 UNDER	±0.20	MATERIAL NO.	SEE CHART	DOCUMENT NO. SD-55935-005	SHEET NO. 1 OF 2	
10 OVER	30 UNDER	±0.25	DRAFT WHERE APPLICABLE MUST REMAIN WITHIN DIMENSIONS		THIS DRAWING CONTAINS INFORMATION THAT IS PROPRIETARY TO MOLEX ELECTRONIC TECHNOLOGIES, LLC AND SHOULD NOT BE USED WITHOUT WRITTEN PERMISSION		
30 OVER		±0.30	SIZE A3				

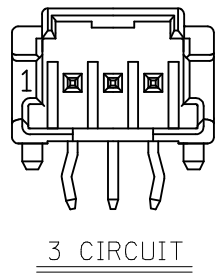
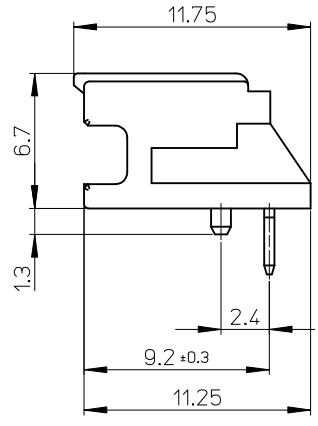
10 9 8 7 6 5 4 3 2 1



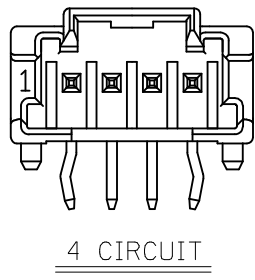
嵌合断面図



2 CIRCUIT



3 CIRCUIT



4 CIRCUIT

MODEL NO. : 55935-****

REVISED EC NO: J2018-0106 DRWN:MIKEDA01 2017/09/25 CHK:DAIDA 2017/09/25 APPR:KANAKO 2017/09/25	GENERAL TOLERANCES (UNLESS SPECIFIED)			DIMENSION STYLE MM ONLY		SCALE ---	DESIGN UNITS METRIC	THIRD ANGLE PROJECTION	
	0.25 UNDER	UNDER	±0.03	DRAWN BY	DATE	TITLE			
	0.25 OVER	0.5 UNDER	±0.05	T.NIITSU	'02/05/15	2.0 W/B SINGLE CONN. PLUG HOUSING ASS'Y R/A -LEAD FREE-			
	0.5 OVER	1.0 UNDER	±0.1	CHECKED BY	DATE				
	1.0 OVER	10 UNDER	±0.20	K.ASAKAWA	'03/06/12				
10 OVER	30 UNDER	±0.25	APPROVED BY	DATE	DOCUMENT NO.		SHEET NO.		
30 OVER		±0.30	T.YAMAGUCHI	'03/06/12	SD-55935-005		2 OF 2		
ANGULAR	±3 °		MATERIAL NO.		SEE CHART		THIS DRAWING CONTAINS INFORMATION THAT IS PROPRIETARY TO MOLEX ELECTRONIC TECHNOLOGIES, LLC AND SHOULD NOT BE USED WITHOUT WRITTEN PERMISSION		
DRAFT WHERE APPLICABLE MUST REMAIN WITHIN DIMENSIONS			SIZE						
			A3						

9 8 7 6 5 4 3 2 1