

PLEASE CHECK WWW.MOLEX.COM FOR LATEST PART INFORMATION

Part Number: [47080-4002](#)
Status: **Active**
Overview: Serial ATA Signal Plugs
Description: 1.27mm Pitch Serial ATA Shrouded Signal Plug, Surface Mount, 7 Circuits, with Peg and Locking Latch, Color Black, 0.76µm Gold (Au) Plating, Lead-Free

Documents:

[3D Model](#) [Product Specification PS-67490-001 \(PDF\)](#)
[Drawing \(PDF\)](#) [RoHS Certificate of Compliance \(PDF\)](#)

Agency Certification

CSA LR19980
 UL E29179

General

Product Family PCB Headers
 Series [47080](#)
 Application Board-to-Board, Signal, Wire-to-Board
 Overview [Serial ATA Signal Plugs](#)
 Product Name Serial ATA
 UPC 822348644728

Physical

Breakaway No
 Circuits (Loaded) 7
 Circuits (maximum) 7
 Durability (mating cycles max) 500
 First Mate / Last Break No
 Flammability 94V-0
 Glow-Wire Compliant No
 Guide to Mating Part No
 Keying to Mating Part None
 Lock to Mating Part Yes
 Material - Plating Mating Gold
 Material - Plating Termination Tin
 Net Weight 1004.620/mg
 Number of Rows 1
 Orientation Right Angle
 PCB Locator Yes
 PCB Retention Yes
 PCB Thickness - Recommended 1.60mm
 Packaging Type Embossed Tape on Reel
 Pitch - Mating Interface 1.27mm
 Polarized to Mating Part Yes
 Polarized to PCB Yes
 Shrouded No
 Stackable No
 Temperature Range - Operating -35°C to +85°C
 Termination Interface: Style Surface Mount

Electrical

Current - Maximum per Contact 1.5A
 Voltage - Maximum 15V

Solder Process Data

Duration at Max. Process Temperature (seconds) 10
 Lead-free Process Capability Reflow Capable (SMT only)

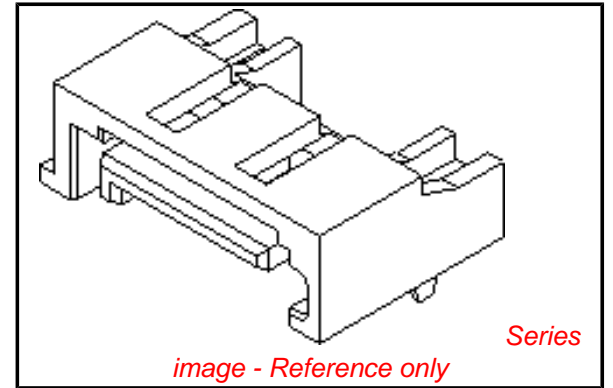


image - Reference only

EU RoHS

ELV and RoHS Compliant
REACH SVHC Contains SVHC: No
Low-Halogen Status Not Low-Halogen

China RoHS



Need more information on product environmental compliance?

Email productcompliance@molex.com
 For a multiple part number RoHS Certificate of Compliance, [click here](#)

Please visit the [Contact Us](#) section for any non-product compliance questions.

Search Parts in this Series

[47080Series](#)

Mates With

[67489 Serial ATA Signal Connect, ATA Straight to Straight Signal Cable Assembly 887505310](#) , [887505318](#) , [887505410](#) , [887505418](#)

Max. Cycles at Max. Process Temperature	1
Process Temperature max. C	255

Material Info

Reference - Drawing Numbers

Electrical Model Document	EE-47080-001
Product Specification	PS-67490-001, RPS-67490-002
S-Parameter Model	SP-47080-001
Sales Drawing	SD-47080-001

This document was generated on 10/25/2012

PLEASE CHECK WWW.MOLEX.COM FOR LATEST PART INFORMATION

Mouser Electronics

Authorized Distributor

Click to View Pricing, Inventory, Delivery & Lifecycle Information:

[Molex:](#)

[47080-4002](#)