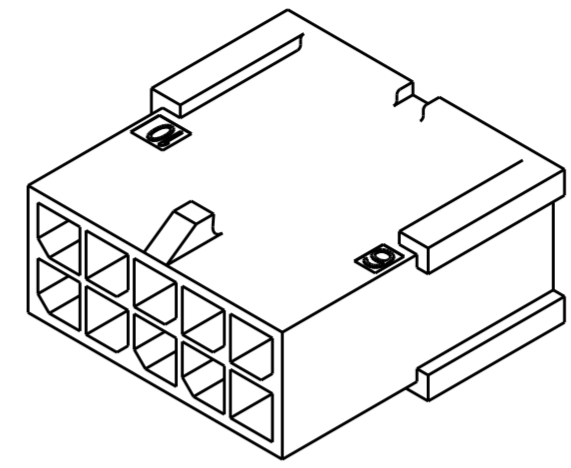
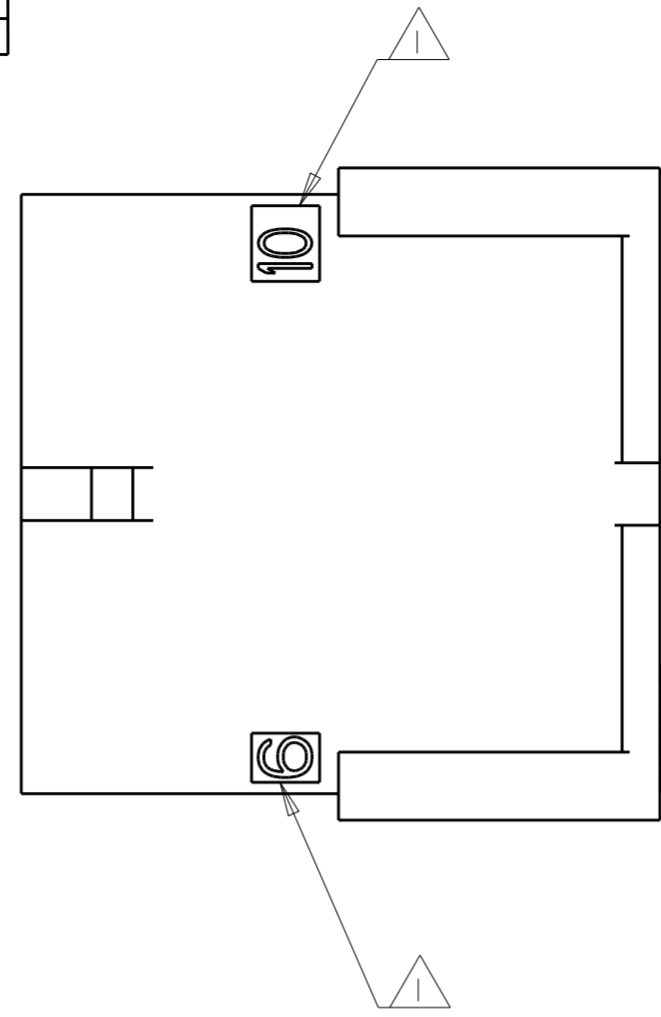
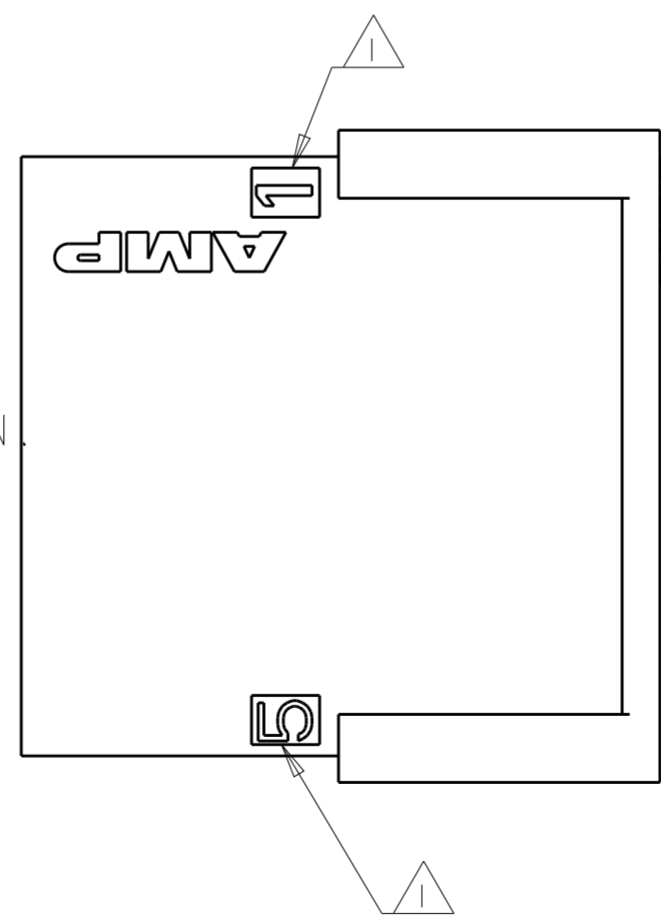
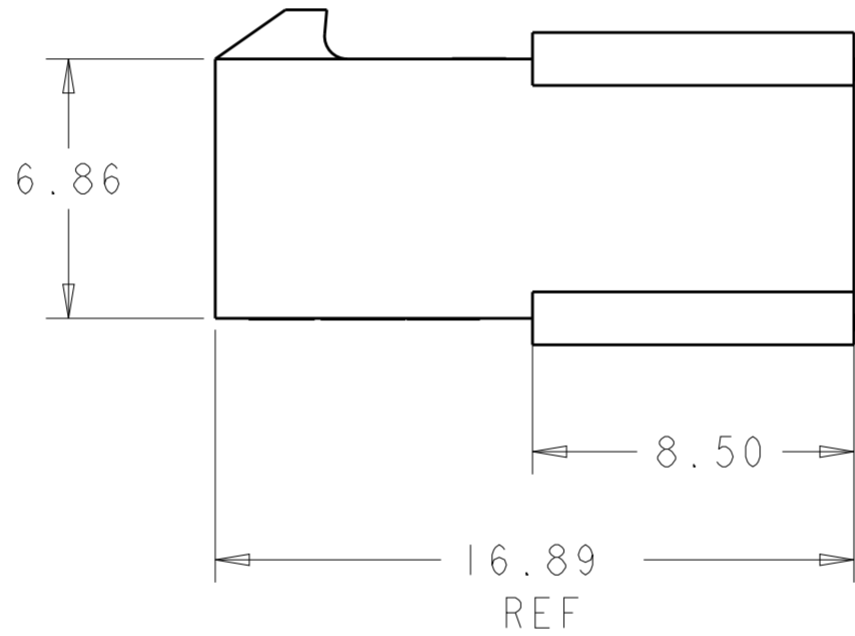
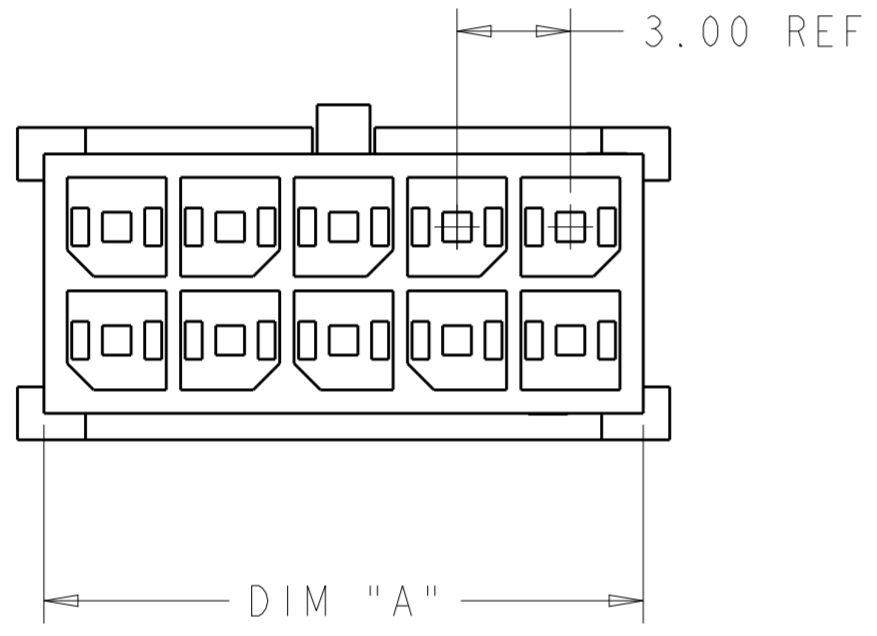


THIS DRAWING IS UNPUBLISHED. RELEASED FOR PUBLICATION 20
 © COPYRIGHT 20 BY - ALL RIGHTS RESERVED.

LOC	DIST	REVISIONS			
P	LTR	DESCRIPTION	DATE	DWN	APVD
CM	00				
	P5	REVISED PER ECR-16-013672	17OCT2016	BW	SC
	P6	REVISED PER ECO-17-007352	10MAY2017	CX	DZ



SCALE 3:1



REMARK	DIM A	NO. OF POS.	PART NUMBER
4 5	36.85	24	5-794616-4
	30.85	20	5-794616-0
	24.85	16	4-794616-6
	21.85	14	4-794616-4
	18.85	12	4-794616-2
4	15.85	10	3-794616-0
	9.85	6	3-794616-6
	6.85	4	3-794616-4
	3.85	2	3-794616-2
3 5	12.85	8	3-794616-8
	12.85	8	2-794616-8
2	36.85	24	2-794616-4
	33.85	22	2-794616-2
	30.85	20	2-794616-0
	27.85	18	1-794616-8
	24.85	16	1-794616-6
	21.85	14	1-794616-4
	18.85	12	1-794616-2
	15.85	10	1-794616-0
	12.85	8	794616-8
	9.85	6	794616-6
	6.85	4	794616-4
3.85	2	794616-2	

- 1 CIRCUIT IDENTIFIERS LOCATED APPROXIMATELY AS SHOWN.
- 2 MATERIAL NYLON66/6 V0 UL94.
- 3 MATERIAL PA6 V0 UL94.
- 4 MATERIAL PA66 V0 GW UL94.
- 5 PRELIMINARY PART NOT RELEASED FOR PRODUCTION.

THIS DRAWING IS A CONTROLLED DOCUMENT.		DWN W J RUDY 29AUG2000	TE Connectivity	
DIMENSIONS: mm		CHK W DAVIS 29AUG2000		
TOLERANCES UNLESS OTHERWISE SPECIFIED:		APVD W DAVIS 29AUG2000		
0 PLC ± 1 PLC ± 2 PLC ±0.13 3 PLC ± 4 PLC ± ANGLES ± FINISH ±		PRODUCT SPEC 108-1836 APPLICATION SPEC 114-13000 WEIGHT -		
MATERIAL		NAME PLUG HOUSING, 2 to 24 POSITION DUAL ROW, FREE HANGING, MICRO MATE-N-LOK(TM)		RESTRICTED TO
		SIZE CAGE CODE DRAWING NO A200779 C-794616		
Customer Drawing		SCALE 5:1		SHEET 1 OF 1 REV P6

Mouser Electronics

Authorized Distributor

Click to View Pricing, Inventory, Delivery & Lifecycle Information:

[TE Connectivity:](#)

[1-794616-0](#)