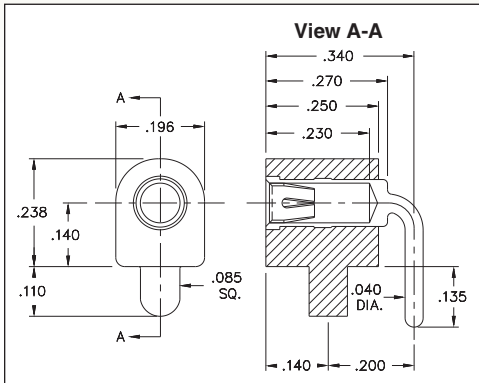


SERIES 395...3XX • RIGHT ANGLE SOCKET • TEST POINT



- Available to accept 3 pin sizes: 1, 1.5, & 2mm
- Uses high temperature PCT polyester insulator
- Standard insulator color is black
- For Electrical, Mechanical and Environmental Data, see page 264 for details



| Pin Size | ORDERING INFORMATION | | | | | | |
|---|---|--|--------------|--|--|--|--|
| 1.0mm | 395-XX-101-34-340000 | | | | | | |
| 1.5mm | 395-XX-101-03-380000 | | | | | | |
| 2.0mm | 395-XX-101-07-350000 | | | | | | |
| <p>RECOMMENDED MOUNTING HOLES</p> <p>Ø.110±.003 DRILLED or PLATED THROUGH-HOLE</p> <p>Ø.045±.003 PLATED THROUGH-HOLE</p> <p>.200</p> <div style="display: flex; justify-content: space-around; align-items: center;"> <div style="border: 1px solid black; border-radius: 50%; padding: 5px; text-align: center;"> <p>XX=Plating Code See Below</p> </div> <div style="background-color: #76c73a; color: white; padding: 5px; text-align: center;"> <p>RoHS-2 2011/65/EU</p> </div> </div> | | | | | | | |
| SPECIFY PLATING CODE XX = | 13 ◆ | | 93 | | | | |
| Sleeve (Pin) | 10 μ" Au | | 200 μ" Sn/Pb | | | | |
| Contact (Clip) | 30 μ" Au | | 30 μ" Au | | | | |

Mouser Electronics

Authorized Distributor

Click to View Pricing, Inventory, Delivery & Lifecycle Information:

Mill-Max:

[0395-2-15-80-07-14-10-0](#) [395-13-101-03-380000](#) [395-13-101-34-340000](#) [395-93-101-03-380000](#) [395-93-101-34-340000](#) [395-93-101-07-350000](#) [0395-2-15-15-07-14-10-0](#) [0395-3-15-15-07-14-10-0](#) [0395-4-15-15-07-14-10-0](#) [0395-5-15-15-07-14-10-0](#) [0395-1-15-15-07-14-10-0](#)