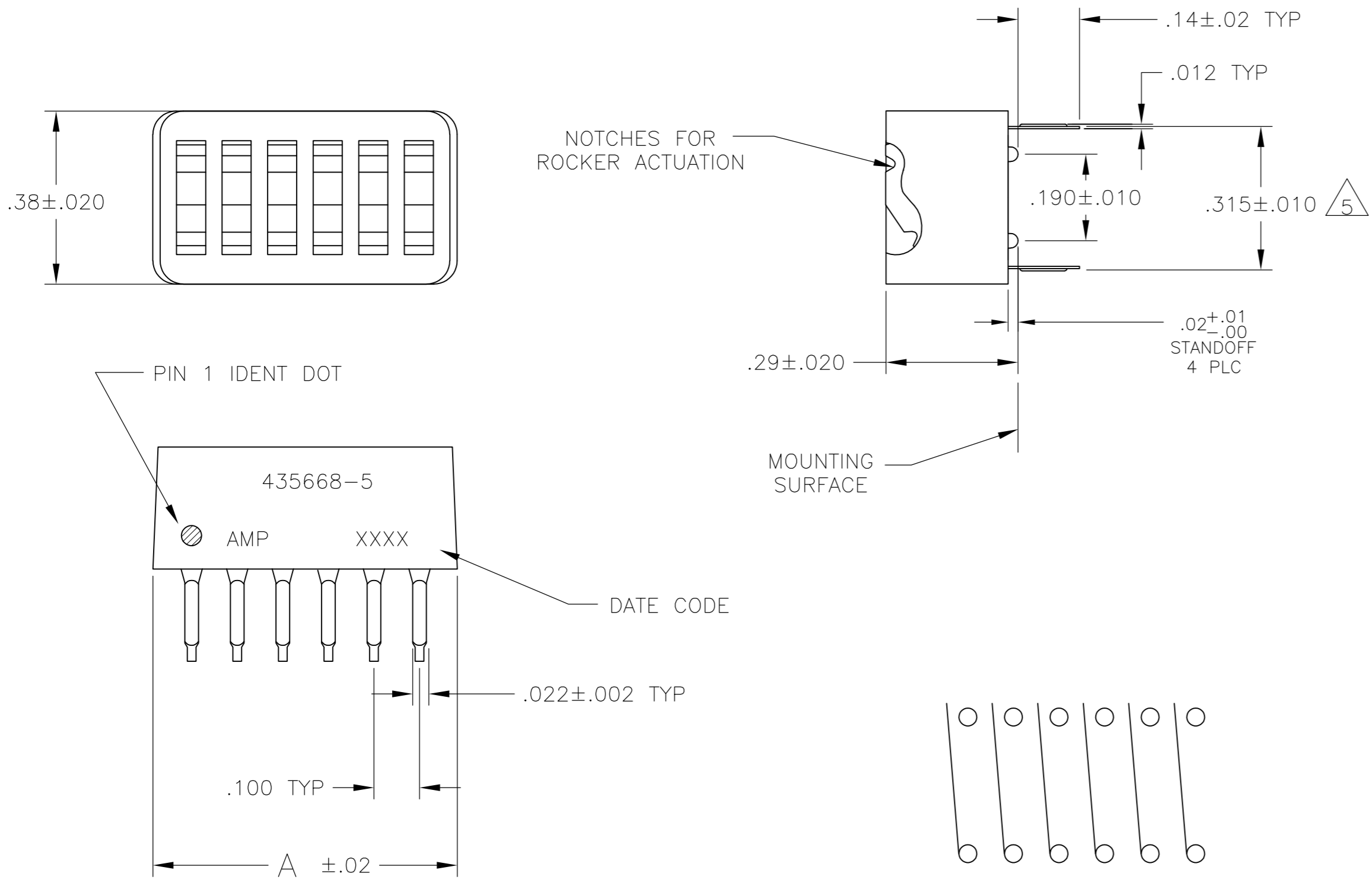


THIS DRAWING IS UNPUBLISHED. RELEASED FOR PUBLICATION  
 © COPYRIGHT - By - ALL RIGHTS RESERVED.

LOC		DIST		REVISIONS			
P	LTR	DESCRIPTION		DATE	DWN	APVD	
AD	00	A2	REVISED PER ECO-11-004917		11MAR11	RK	HMR



- FOR ADDITIONAL SPECIFICATIONS SEE AMP PRODUCT SPEC 108-7532.
- SWITCH SHOWN IN OPEN POSITION.
- ALL CHARACTERS AND ROCKERS ARE WHITE, HOUSING IS BLUE.
- STAMPING WILL VARY ON 2 AND 3 POSITION SIDES DUE TO SPACE RESTRICTIONS.
- .315 DIMENSION APPLIES AT TERMINAL TIPS. TERMINALS ARE .300 +.010 AT MOUNTING SURFACE. -.000
- ALL MATERIALS AND FINISHES SHALL COMPLY WITH EU DIRECTIVE 2002 /95/EC OF 27JAN2003 (ROHS).
- MATERIAL: HOUSING AND ROCKERS - POLYESTER  
CONTACT & SOLDER LEAD - COPPER ALLOY
- FINISH: CONTACT - GOLD OVER NICKEL  
SOLDER LEAD - TIN OVER NICKEL
- OBSOLETE PARTS: OBSOLETE CIS STREAMLINING PER D.RENAUD/D.SINISI

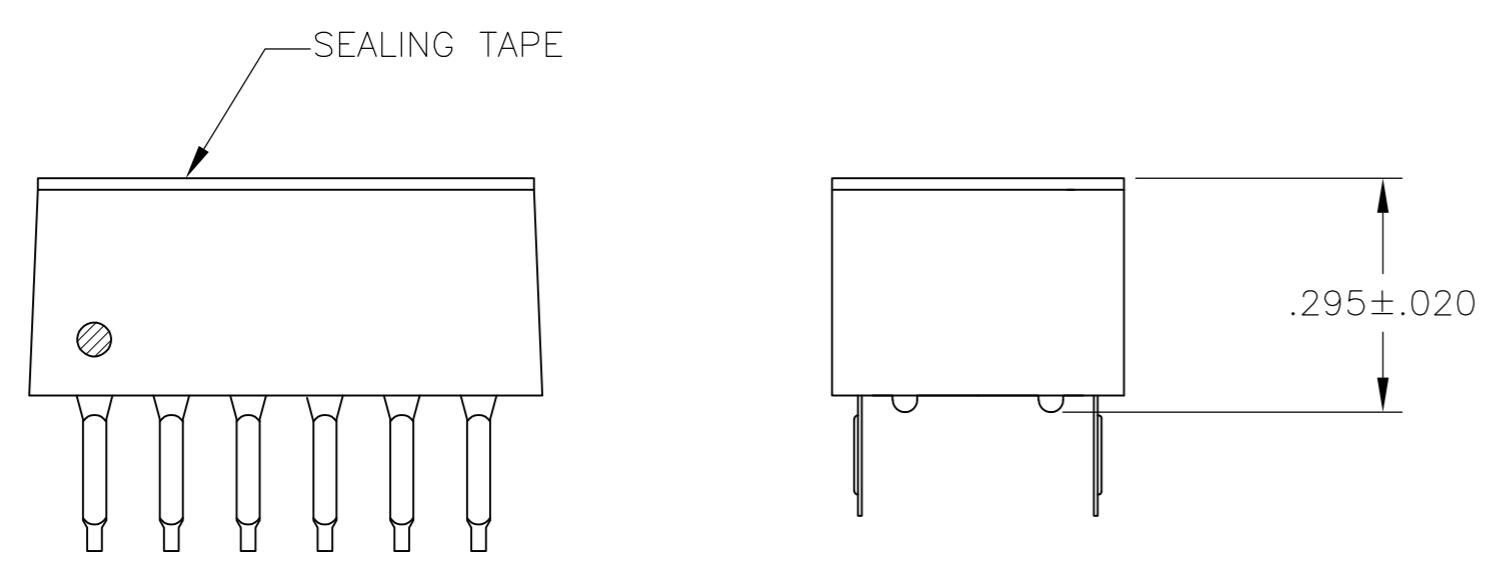
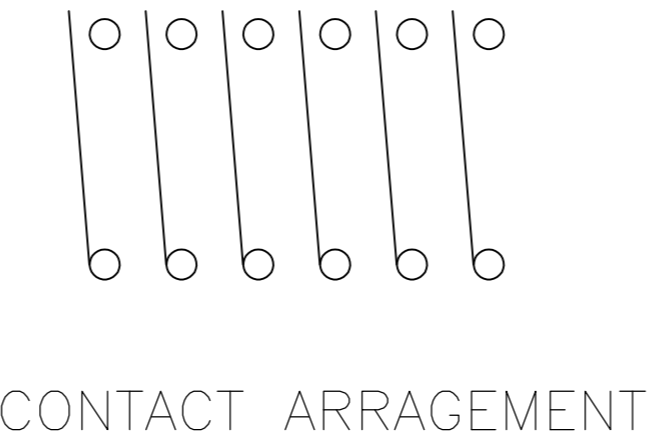
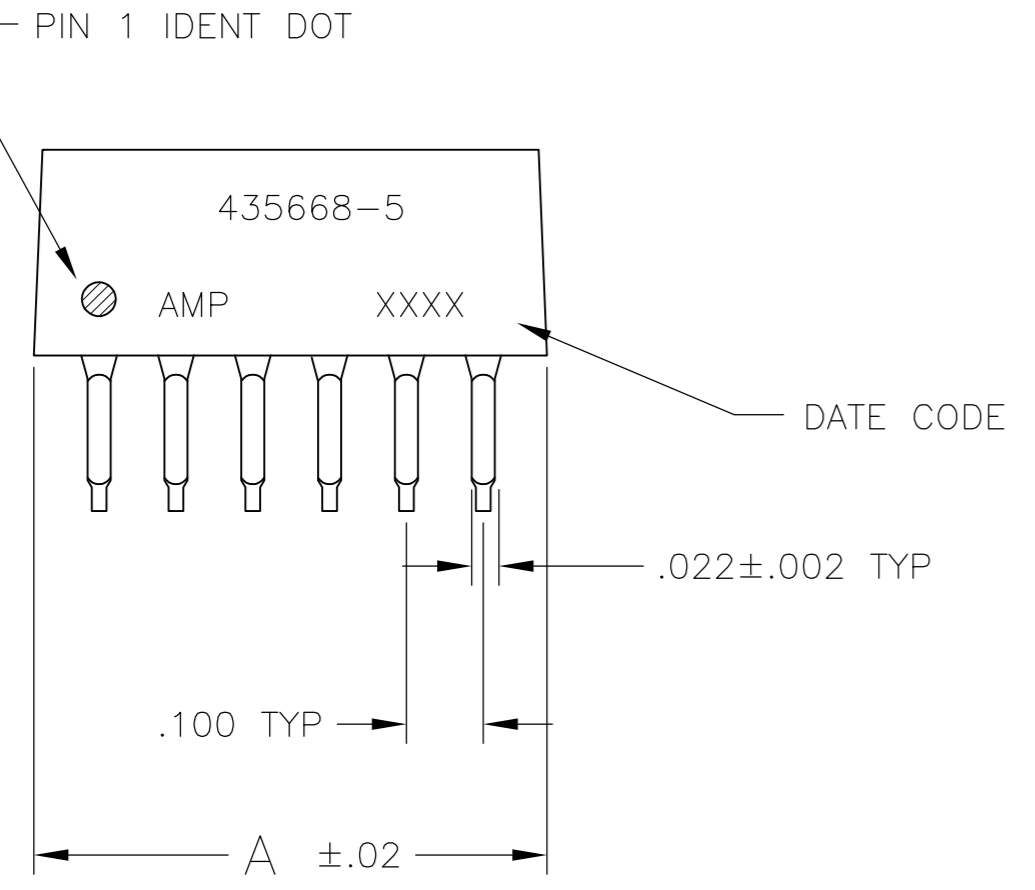


FIG 1

FIG	DESCRIPTION	REV	DATE	BY	CHK	APVD	QTY	NO OF POSN	PART NO
7	OBSOLETE								8-5435668-7
1	FIG 1								3-5435668-5
									3-5435668-4
									3-5435668-3
									3-5435668-2
									3-5435668-1
									3-5435668-0
									2-5435668-9
									2-5435668-8
									2-5435668-7
									2-5435668-6
2	FIG 2								2-5435668-5
									5435668-9
									5435668-7
									5435668-5
									5435668-4
									5435668-3
									5435668-2
									5435668-1
									5435668-0
									5435668-9

THIS DRAWING IS A CONTROLLED DOCUMENT.		DWN	OBJAN05	TE Connectivity	
DIMENSIONS: INCHES		BSV	CHK	NAME	
TOLERANCES UNLESS OTHERWISE SPECIFIED:		APVD	PRODUCT SPEC	SWITCH ASSY, DIP, TYPE C, 7100 SERIES, SPST, LOW PROFILE	
0 PLC ± -		APVD	APPLICATION SPEC	SIZE	CAGE CODE
1 PLC ± -		APVD	FINISH	DRAWING NO	RESTRICTED TO
2 PLC ± -		APVD	WEIGHT	A2	00779
3 PLC ± .005		APVD	CUSTOMER DRAWING	SCALE	4:1
4 PLC ± -		APVD	SCALE	SHEET	1 of 2
ANGLES ± -		APVD	REV	A2	

THIS DRAWING IS UNPUBLISHED.      RELEASED FOR PUBLICATION  
 © COPYRIGHT - By -      ALL RIGHTS RESERVED.

LOC	DIST	REVISIONS					
		P	LTR	DESCRIPTION	DATE	DWN	APVD
AD	00	-	-	SEE SHEET 1	-	-	-

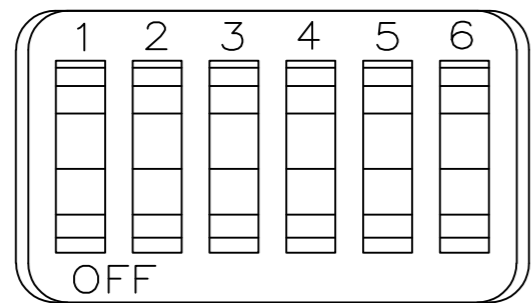


FIG 2

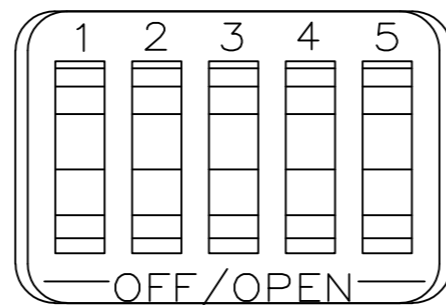


FIG 7

THIS DRAWING IS A CONTROLLED DOCUMENT.		DWN	08JAN05			TE Connectivity	
DIMENSIONS: INCHES		BSV	-			SWITCH ASSY, DIP, TYPE C, 7100 SERIES, SPST, LOW PROFILE	
TOLERANCES UNLESS OTHERWISE SPECIFIED:		CHK	-		NAME		
0 PLC ± -		APVD	-		SIZE		
1 PLC ± -		PRODUCT SPEC	-		CAGE CODE		
2 PLC ± -		APPLICATION SPEC	-		DRAWING NO		
3 PLC ± .005		WEIGHT	-		RESTRICTED TO		
4 PLC ± -		MATERIAL		A2 00779		C=5435668	
ANGLES ± -		FINISH		CUSTOMER DRAWING		SCALE	4:1
FINISH		-		SHEET		2 of 2	
-		-		REV		A2	

# Mouser Electronics

Authorized Distributor

Click to View Pricing, Inventory, Delivery & Lifecycle Information:

[TE Connectivity:](#)

[3-5435668-4](#)