

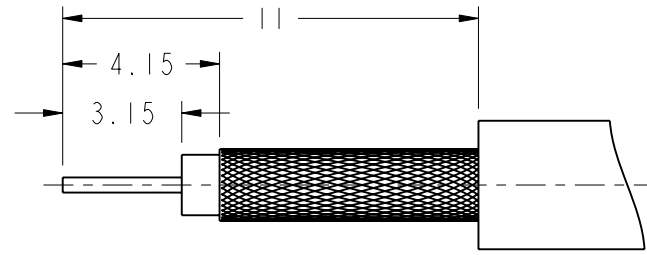
NOTES: FINISH (PLATING THICKNESS IN MICRO-INCHES)

1. MATERIALS AND FINISHES:  
 BODY - BRASS, NICKEL PLATING  
 CONTACT - BERYLLIUM COPPER, GOLD PLATING  
 INSULATOR - PTFE
2. ELECTRICAL:  
 A. IMPEDANCE: 50 OHM  
 B. FREQUENCY RANGE: DC 0-10 GHz  
 C. DIELECTRIC WITHSTANDING VOLTAGE: 1000 VRMS, MIN.
3. MECHANICAL:  
 A. DURABILITY: 500 CYCLES MIN.  
 B. TEMPERATURE RANGE: -65°C TO +165°C
4. CONTACT PIN TO SOLDER
5. CRIMPED FERRULE  
 HEX. CRIMP SIZE .151"
6. PACKAGING  
 MARK BAG "AMPHENOL, 903-369P-51A  
 AND DATE CODE".

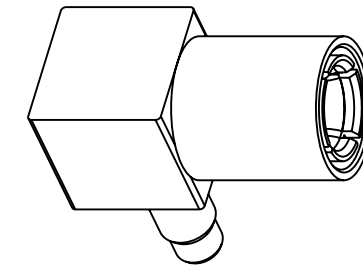
THIRD ANGLE PROJ.

REVISIONS

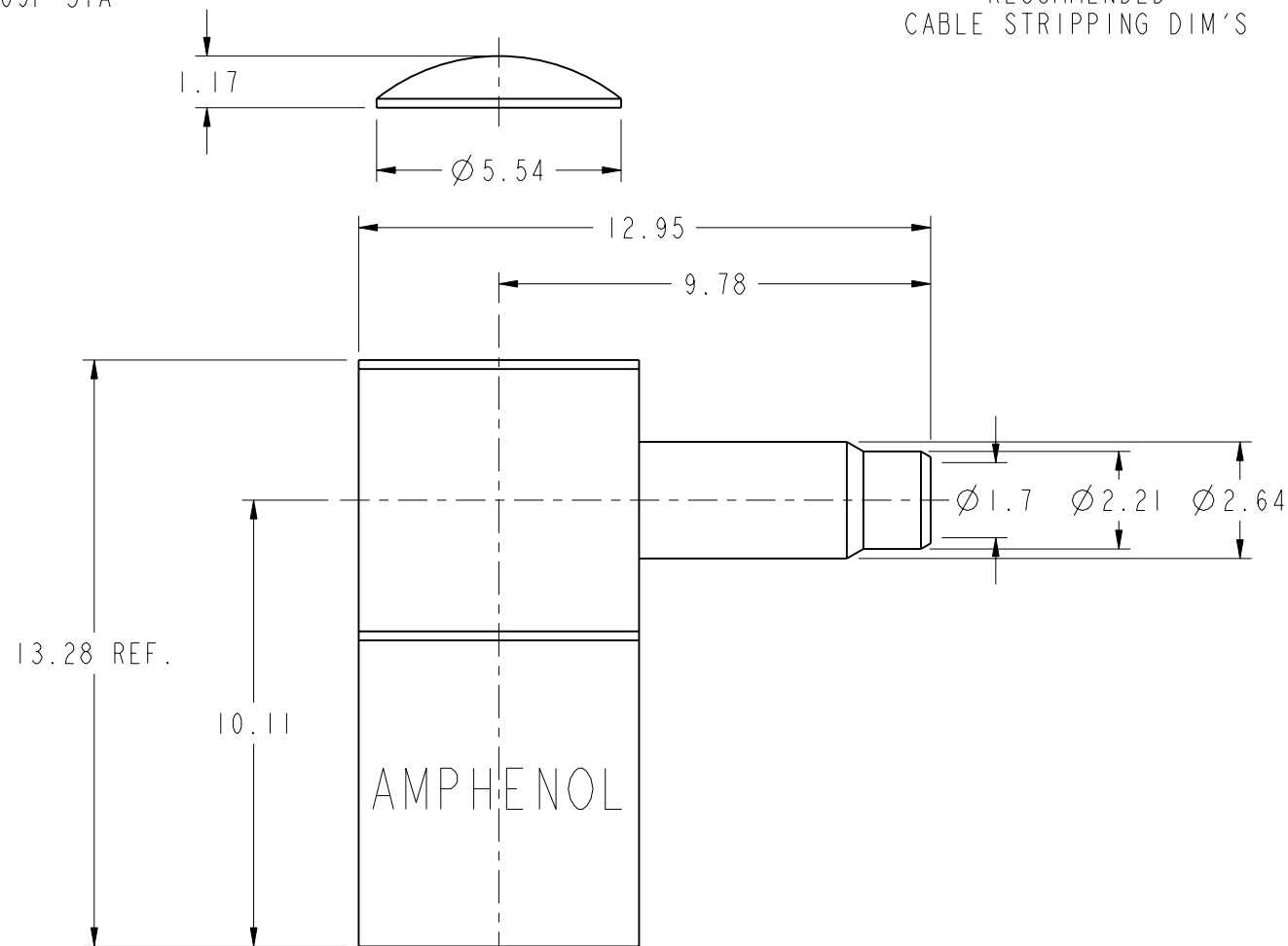
REV	DESCRIPTION	DATE	ECO	APPR
G	CABLE WAS RG-316/U, UPDATE PLATING	08-Mar-93	39398	PB
H	RETAINER RING WAS UPDATED	08-Feb-94	39786	PB
J	RELEASE IN ARFA	10-Apr-09	----	SCOTT
K	ADDED ASSEMBLY INSTRUCTIONS ON ASSEMBLY DRAWING	29-Apr-09	47555	SCOTT
L	NO CHANGE TO COD, REFLECTING REVISION OF INTERNAL DOCUMENTS\RD-DM12011301R3	19-Jan-12	48977	SH



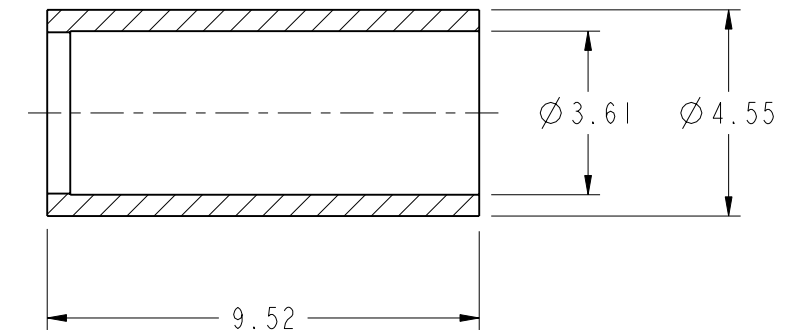
RECOMMENDED  
CABLE STRIPPING DIM'S



SCALE 3.000



INTERFACE PER MIL-STD-348  
SMB SERIES FIGURE 311.2



**CUSTOMER OUTLINE DRAWING**

ALL OTHER SHEETS ARE FOR INTERNAL USE ONLY

UNLESS OTHERWISE SPECIFIED, DIMENSIONS ARE IN METRIC AND TOLERANCES ARE: 0.5 - 6mm ±0.1mm    6 - 30mm ±0.2mm    30 - 120mm ±0.3mm    ANGLES ±1°  NOTICE - These drawings, specifications, or other data (1) are, and remain the property of Amphenol corp. (2) must be returned upon request; and (3) are confidential and not to be disclosed to any person other than those to whom they are given by Amphenol Corp. the furnishing of these drawings, specifications, or other data by Amphenol Corp., or to any other person to anyone for any purpose is not to be regarded by implication or otherwise in any manner licensing, granting rights to permitting such holder or any other sperson to manufacture, use or sell any product, process or design, patented or otherwise, that may in any way be related to or disclosed by said drawings, specifications, or other data.	MATERIAL	DRAWN R. MAO	DATE 19-Jan-12	TITLE SMB 50 OHM ANGLE PLUG FOR MI7/152			<b>Amphenol RF</b> Danbury CT USA, Tainan, Taiwan, Shenzhen, China <a href="http://www.amphenolrf.com">www.amphenolrf.com</a>	
	REFERENCE	ENGINEER P. BRENZEL	DATE 09-Aug-08					
	FINISH	APPROVED SCOTT	DATE 19-Jan-12	SCALE: 6.0:1.0	SHEET 2 OF 2	ITEM NO. 903-369P-51A		
			CAD FILE		DWG SIZE B	CODE ID 74868	REV L	PART NO. 903-369P-51A

# Mouser Electronics

Authorized Distributor

Click to View Pricing, Inventory, Delivery & Lifecycle Information:

[Amphenol:](#)

[903-369P-51A](#)