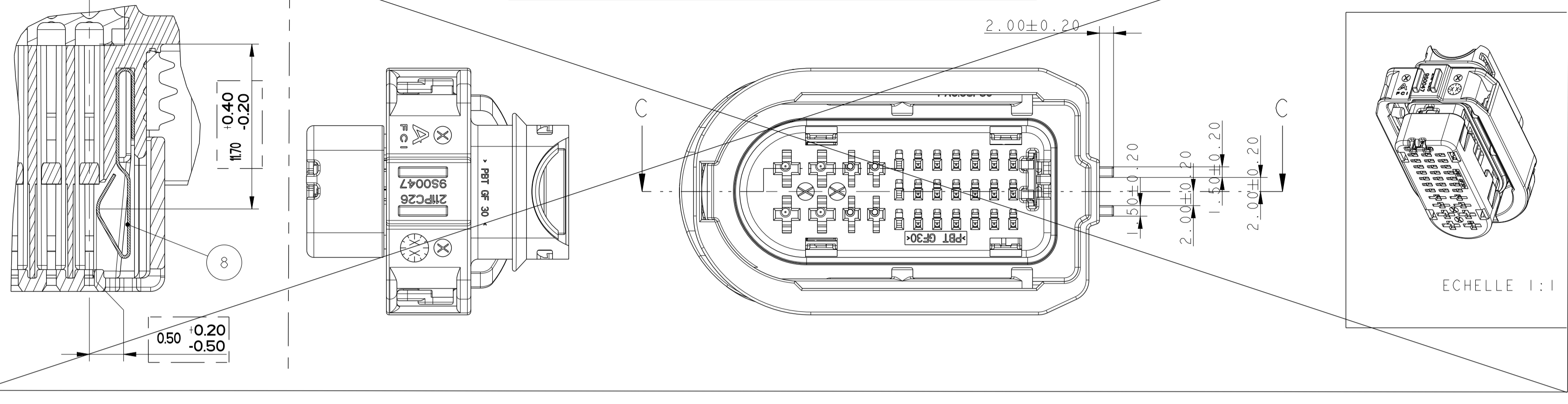
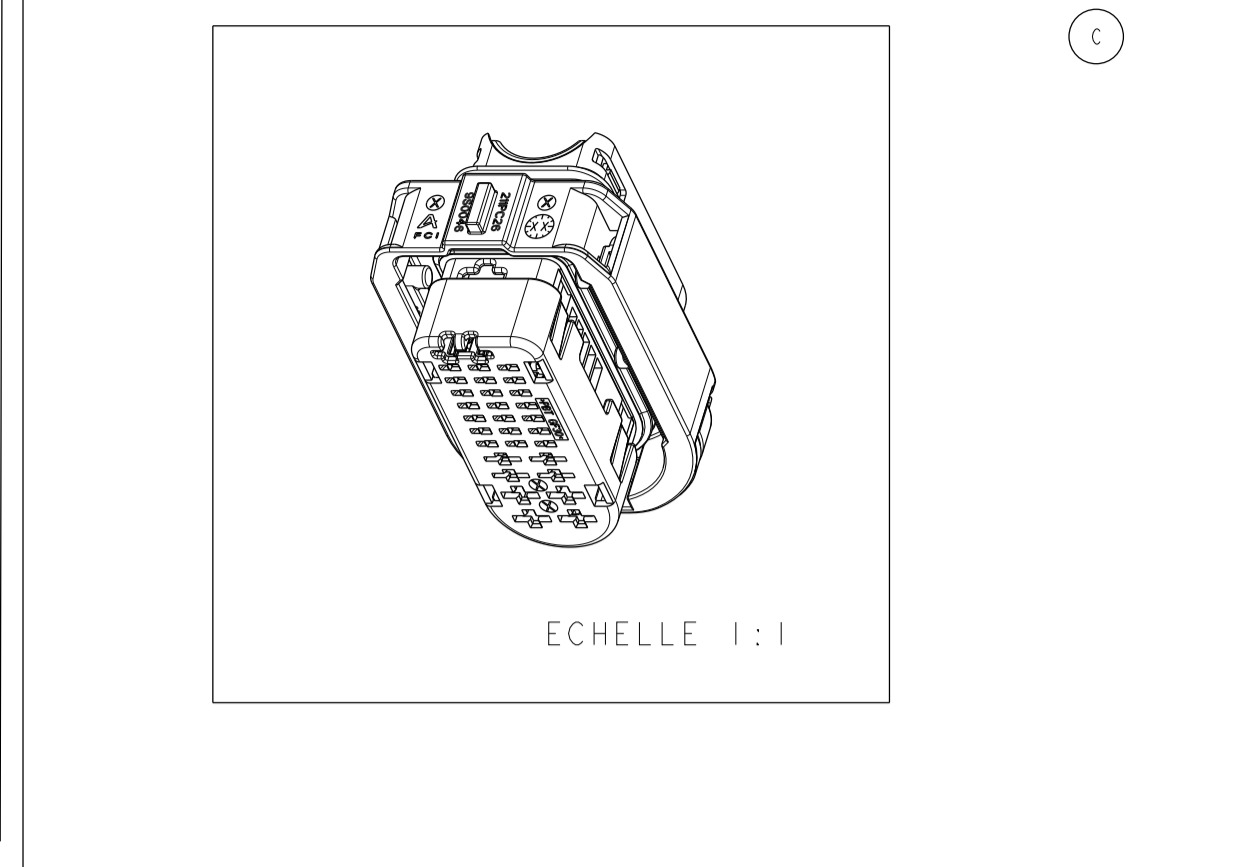


SECTION C-C
SCALE 4:1

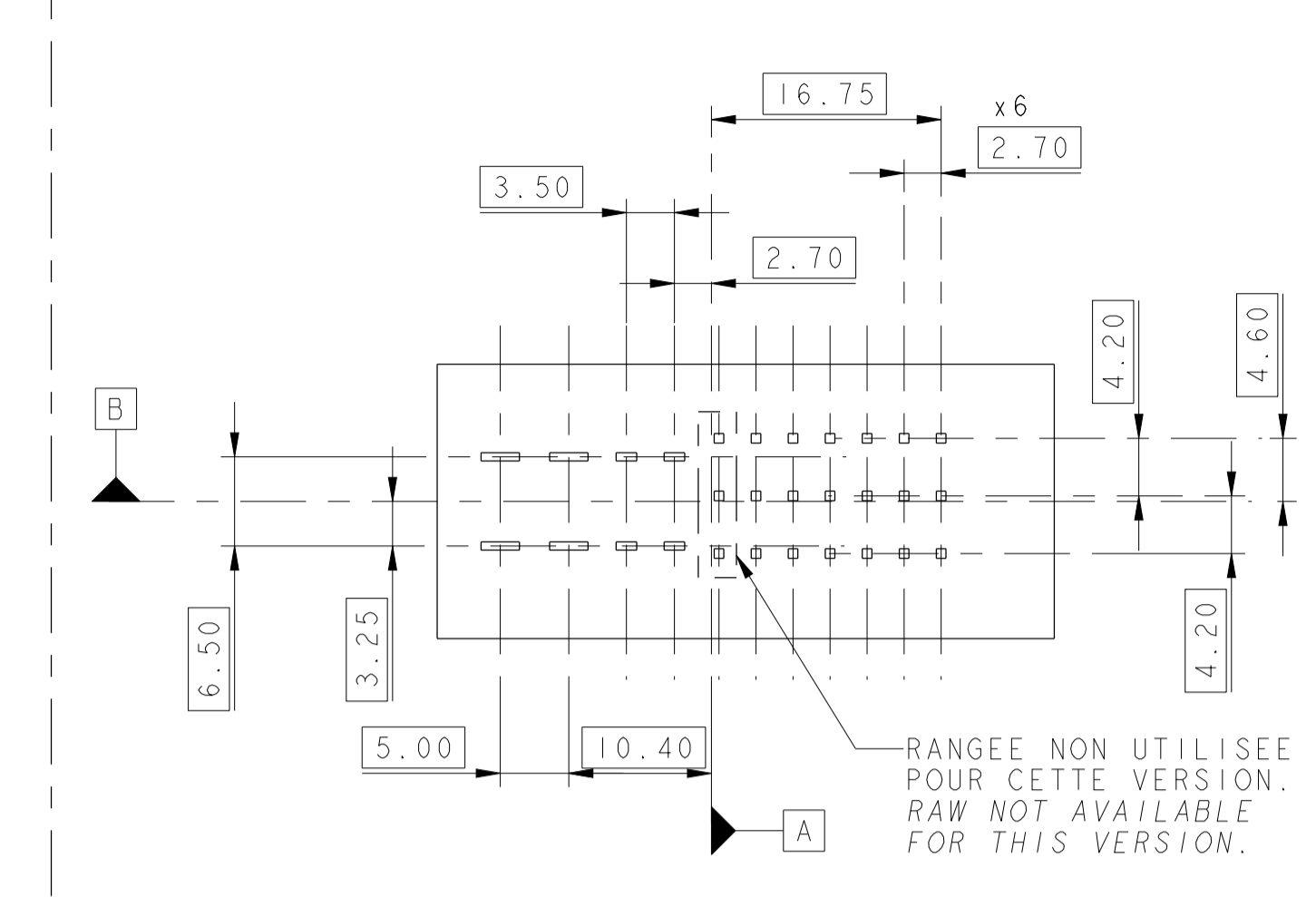
PORTE-CLIPS AVEC SHUNT FEMALE CONNECTOR WITH SHUNT			
MVL		DELPHI	
REFERENCE PART NUMBER	INDICE REVISION	REFERENCE PART NUMBER	INDICE REVISION
211 PC 26 9 S 0 047	B	33510887	01



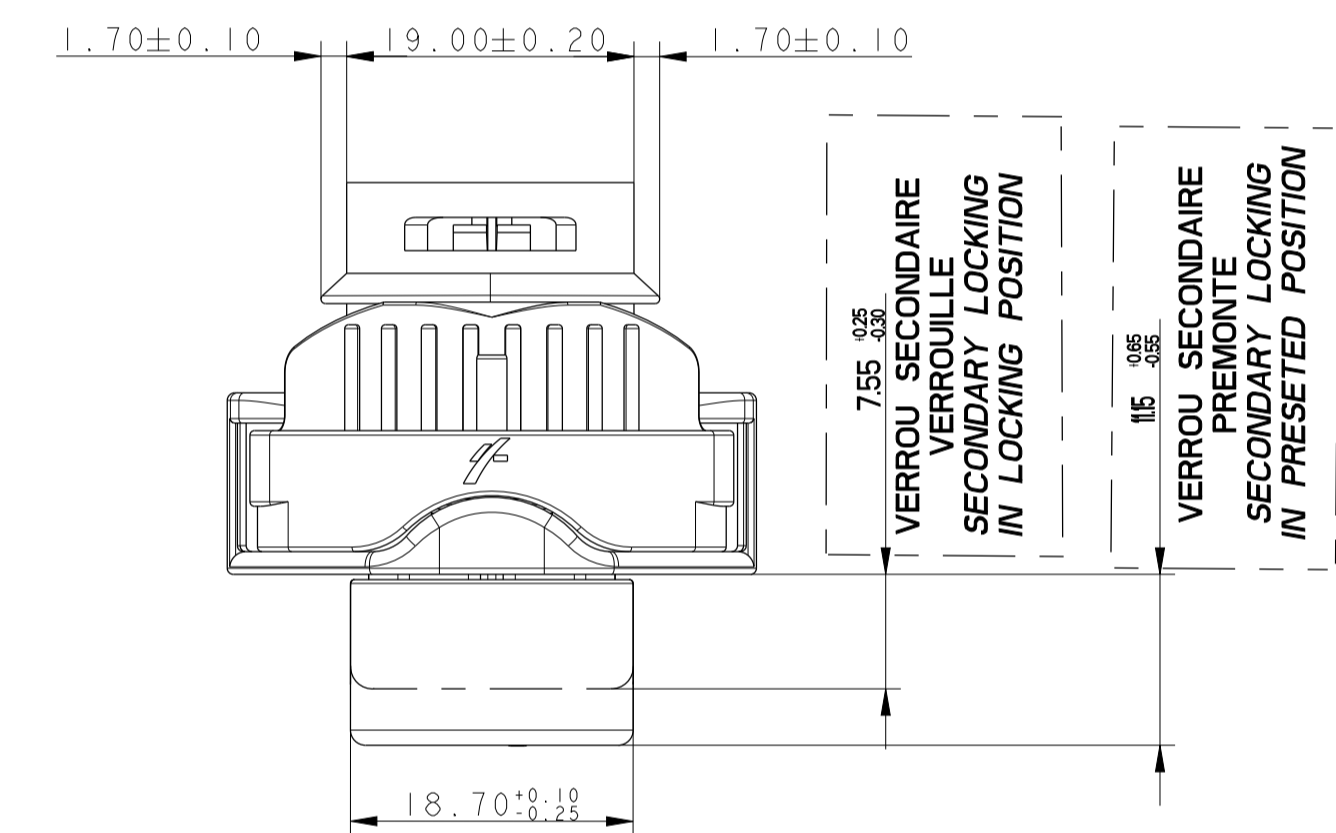
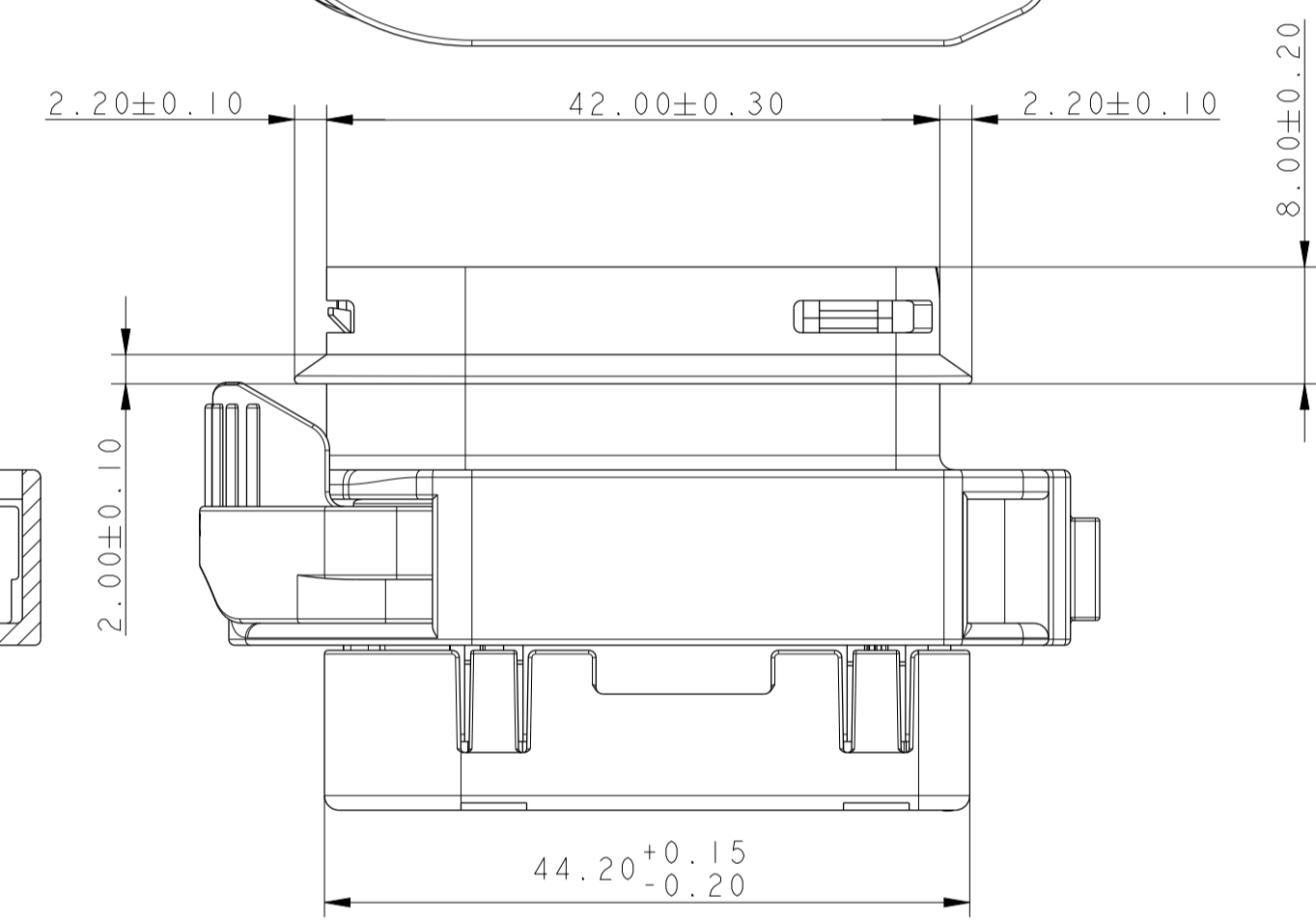
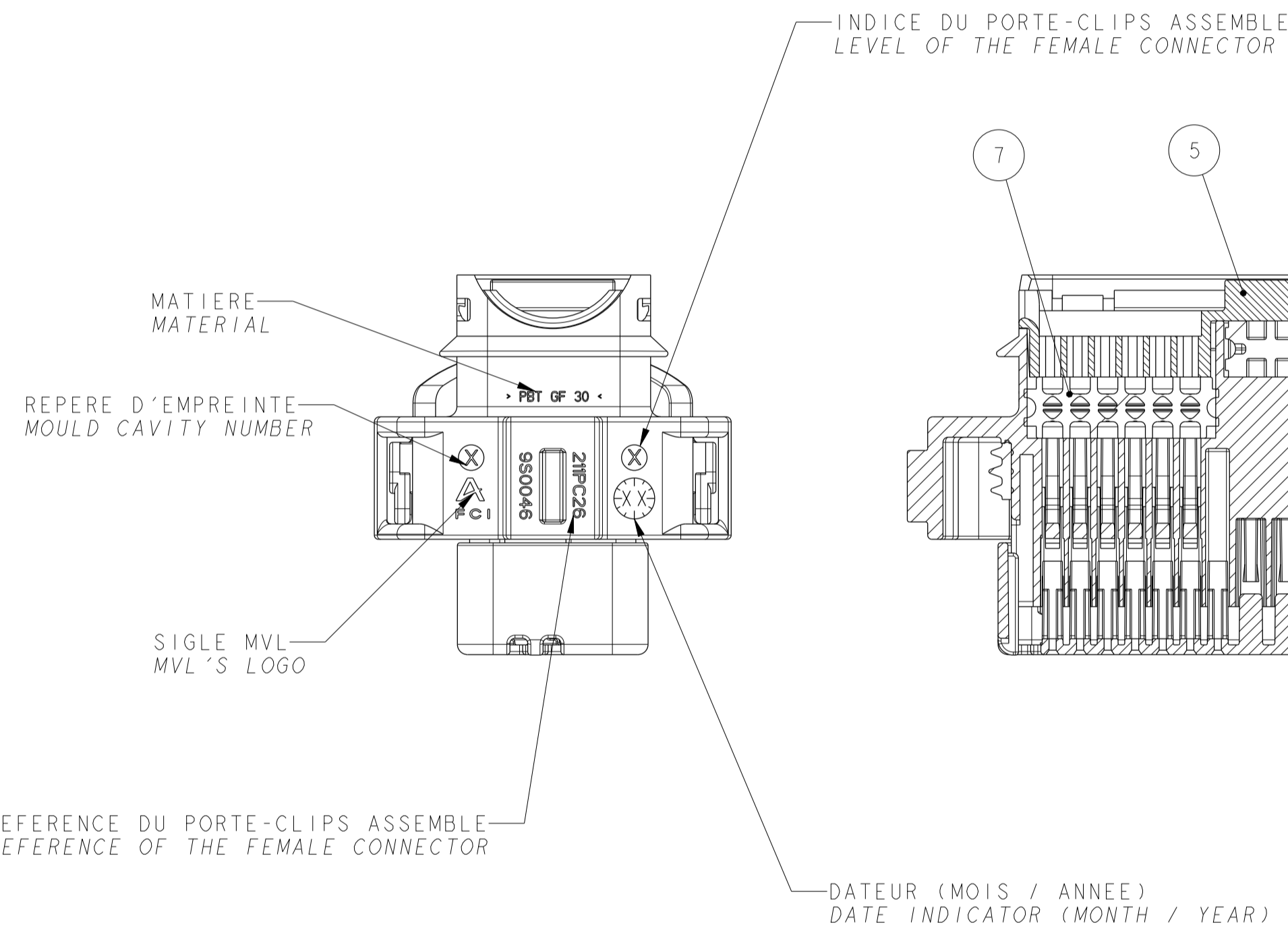
PORTE-CLIPS SANS SHUNT FEMALE CONNECTOR WITHOUT SHUNT			
MVL		DELPHI	
REFERENCE PART NUMBER	INDICE REVISION	REFERENCE PART NUMBER	INDICE REVISION
211 PC 26 9 S 0 046	B	10811873	01



IMPLANTATION DES ALVEOLES / CAVITIES LAY OUT



PORTE-LANGUETTE 29V 29W MALE CONNECTOR	REFERENCE DELPHI DELPHI P/N	10811880
	REFERENCE MVL MVL P/N	211 PL 29 9 S 0 042
PLAN D'EMPREINTE FOOTPRINT'S DRAWING		211 FT 0482
PRODUITS ASSOCIES ASSOCIATED PRODUCTS		



Ø DE FILS MINI ET MAXI ADMISSIBLE
POUR GARANTIR L'ETANCHEITE DU PRODUIT
ALLOWABLE MINIMUM AND MAXIMUM WIRES DIAMETER
TO GUARANTEE THE WATERTHICKNESS OF THE PRODUCT

TYPE DE CONTACT TYPE OF CONTACT	Ø MINI MINIMUM Ø	Ø MAXI MAXIMUM Ø
0.635	1.35	1.90
1.5	1.80	2.80
2.8	2.70	3.90

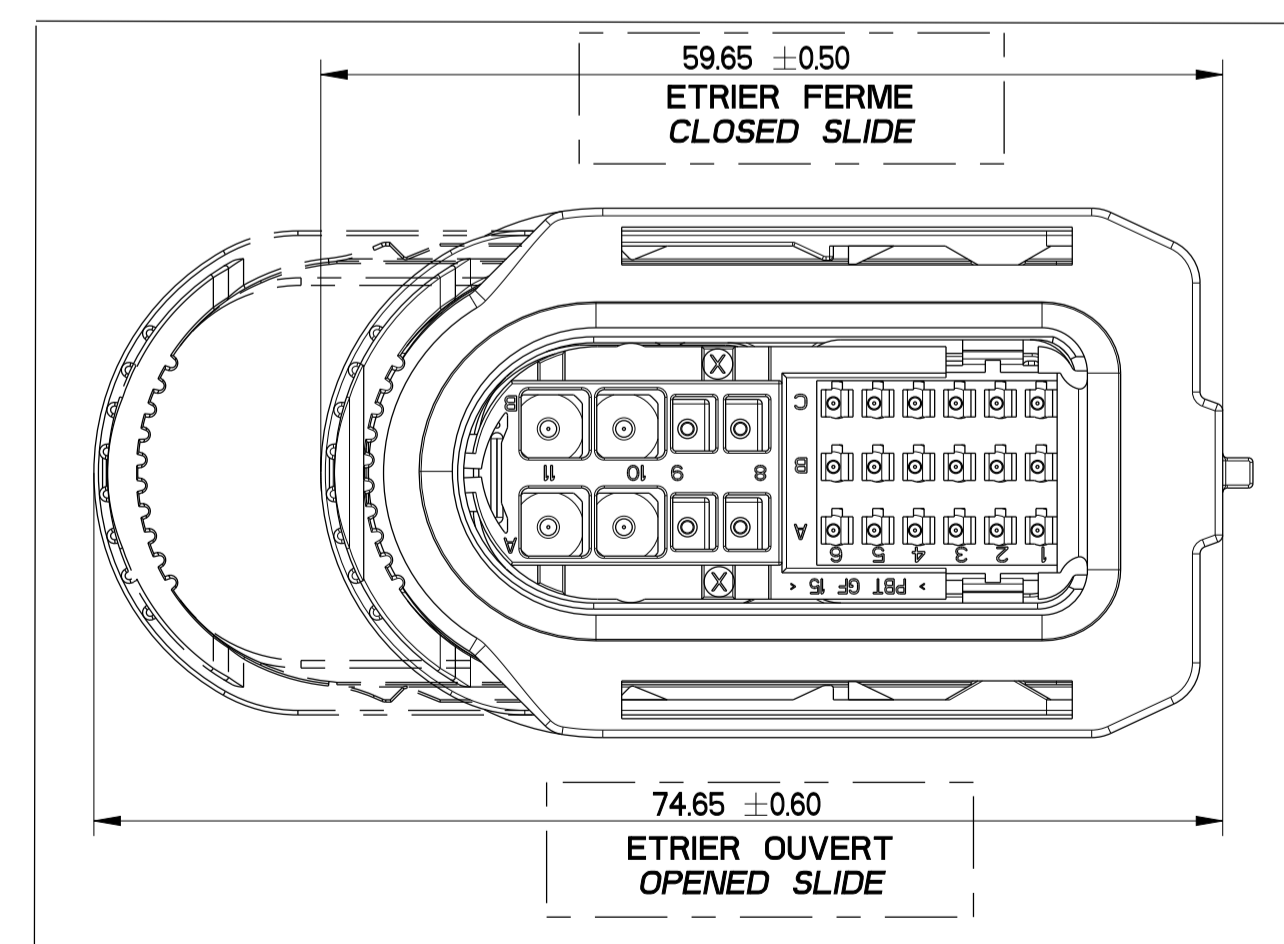
NOTA : LES COTES INDIQUEES EN GRAS ET ENCADREES
SONT DES COTES D'ASSEMBLAGES.
NOTE : BOLD AND BOXED DIMENSIONS ARE ASSEMBLY
DIMENSIONS.

LE PORTE-CLIPS EST LIVRE AVEC L'ETRIER EN POSITION FERME.
THE FEMALE CONNECTOR IS DELIVERED WITH LOCKING CAM IN
CLOSED POSITION.

NOMENCLATURE / BILL OF MATERIAL

REPERE BALLON	QUANTITE QUANTITY	DESIGNATION DESCRIPTION	MATIERE MATERIAL	COULEUR COLOR	REFERENCE MVL MVL P/N
8	1	SHUNT SHUNT	Cu Mgl	-	211 C 124
7	1	GROMMET (CONTACT 0.635) MATTE SEAL (0.635 TERMINALS)	SILICONE SILICON	ORANGE ORANGE	211 M 3 128
6	1	GROMMET (CONTACT 1.5 & 2.8) MATTE SEAL (1.5 & 2.8 TERMINALS)	SILICONE SILICON	JAUNE YELLOW	211 M 4 129
5	1	PLAQUETTE ARRIERE REAR GRID	PBT 15% FV PBT GF 15	GRIS GREY	211 M 8 127
4	1	VERROU SECONDAIRE SECONDARY LOCK	PBT 30% FV PBT GF 30	JAUNE YELLOW	211 M 4 103
3	1	ETRIER SLIDER DEVICE	PA 6.6 30% FV PA 6.6 GF 30	NOIR BLACK	211 M 0 102
2	1	JOINT INTERFACIAL MATING SEAL	SILICONE SILICON	GRIS GREY	211 M 8 106
1	1	PORTE-CLIPS FEMALE HOUSING	PBT 30% FV PBT GF 30	NOIR BLACK	211 I 0 07X

2.8 x 0.8 SICMA 3	1 to 2	211 CC 3 S X I X 0
2.8 x 0.8 SICMA 2	1 to 3	211 CC 3 S X X 20
1.5 x 0.8 SICMA 3	1 to 2	211 CC 2 S X X 60
1.5 x 0.8 SICMA 2	1 to 2	211 CC 2 S X X X 0
1 x 0.635 MICROSICMA	0 to 1	211 CC 1 S X X 24
TYPE CLIP FEMALE TERMINAL TYPE	GAMME RANGE	REFERENCE



ECN-NO. NUMERO ECN	POSITION POSITION	CHANGE DESCRIPTION MODIFICATION
-	-	-
-	-	-
-	-	-
-	-	-
-	-	-
-	-	DELPHI P/N ADDED

TOLERANCES TOLERANCES	±0.3	±3%	MATERIAL : MATIERE :	SEE TABLE	COPYRIGHT DELPHI CORPORATION AND/OR ITS AFFILIATES. ALL RIGHTS RESERVED. REVISED CE PLAN EST LA PROPRIETE DE DELPHI CORPORATION AND/OR ITS AFFILIATES. TO BE USED ONLY FOR THE PURPOSES INDICATED HEREON. REPRODUCTION, DISTRIBUTION AND SALE OF THIS DOCUMENT IS PROHIBITED WITHOUT EXPRESS AUTHORIZATION. LE CONTENU DE CE DOCUMENT NE PEUT ETRE REPRODUIT, DISTRIBUE NI VENDU SANS L'AUTORISATION EXPRESSE DE DELPHI CORPORATION.
CONTRACT N° CONTRAT N°	211PL29950042		COLOR : COULEUR :	SEE TABLE	DELPHI ELECTRICAL/ELECTRONIC ARCHITECTURE
DO NOT MEASURE DRAWING NE PAS MESURER LE DRESSAGE			ECO EXP. : CODE M. C. :	664 FE	DELPHI ELECTRICAL/ELECTRONIC ARCHITECTURE
DATE	20150904	TRANSCANT	DESIGNATION	SEALED FEMALE CONNECTOR	DRAWING NUMBER REF. PLAN
CREATED BY MODIFIED BY	20150904	F. FAHRE	PROJECT PROJET	26 WAY DOOR TO BODY CONNECTOR	DRAWING NUMBER REF. PLAN
APPROVED BY FILE NAME	20150904	Pascal MENARD	ESR NO. NUMERO ESR	FBA-2108	DRAWING NUMBER REF. PLAN
	211FT0430		LETT. NO. NUMERO LETT.		DRAWING NUMBER REF. PLAN

Mouser Electronics

Authorized Distributor

Click to View Pricing, Inventory, Delivery & Lifecycle Information:

[Aptiv:](#)

[211PC269S0046](#)