

## SN74AHC1G08-Q1 Automotive Single 2-Input Positive-AND Gate

### 1 Features

- Qualified for automotive applications
- Operating range of 2V to 5.5V
- Max  $t_{pd}$  of 9ns at 5V
- Low power consumption, 20 $\mu$ A max  $I_{CC}$
- $\pm 8$ mA output drive at 5V
- Schmitt-trigger action at all inputs makes the circuit tolerant for slower input rise and fall time

### 2 Applications

- [Enable or disable a digital signal](#)
- [Controlling an indicator LED](#)
- [Translation between communication modules and system controllers](#)

### 3 Description

The SN74AHC1G08 is a single 2-input positive-AND gate. The device performs the Boolean function  $Y = A \cdot B$  or  $Y = \overline{A + B}$  in positive logic.

#### Package Information

| PART NUMBER    | PACKAGE <sup>(1)</sup> | PACKAGE SIZE <sup>(2)</sup> | BODY SIZE <sup>(3)</sup> |
|----------------|------------------------|-----------------------------|--------------------------|
| SN74AHC1G08-Q1 | DBV (SOT-23, 5)        | 2.8mm × 2.8mm               | 2.9mm × 1.6mm            |
|                | DCK (SC-70, 5)         | 2.00mm × 1.25mm             | 2mm × 1.25mm             |

- (1) For more information, see [Section 11](#).
- (2) The package size (length × width) is a nominal value and includes pins, where applicable.
- (3) The body size (length × width) is a nominal value and does not include pins.



Logic Diagram (Positive Logic)



## Table of Contents

|   |   |  |    |
|---|---|--|----|
| <b>1 Features</b> .....   | 1 | 7.3 Feature Description.....                                     | 8  |
| <b>2 Applications</b> .....   | 1 | 7.4 Device Functional Modes.....                                 | 8  |
| <b>3 Description</b> .....  | 1 | <b>8 Application and Implementation</b> .....                    | 9  |
| <b>4 Pin Configuration and Functions</b> .....                                | 3 | 8.1 Typical Application.....                                     | 9  |
| <b>5 Specifications</b> .....   | 4 | 8.2 Power Supply Recommendations.....                            | 9  |
| 5.1 Absolute Maximum Ratings .....  | 4 | 8.3 Layout.....  | 9  |
| 5.2 ESD Ratings.....  | 4 | <b>9 Device and Documentation Support</b> .....                  | 11 |
| 5.3 Recommended Operating Conditions.....                                     | 4 | 9.1 Documentation Support (Analog).....                          | 11 |
| 5.4 Thermal Information.....  | 5 | 9.2 Receiving Notification of Documentation Updates....          | 11 |
| 5.5 Electrical Characteristics.....   | 5 | 9.3 Support Resources.....                                       | 11 |
| 5.6 Switching Characteristics, $V_{CC} = 3.3\text{ V} \pm 0.3\text{ V}$ ..... | 5 | 9.4 Trademarks.....  | 11 |
| 5.7 Switching Characteristics, $V_{CC} = 5\text{ V} \pm 0.5\text{ V}$ .....   | 6 | 9.5 Electrostatic Discharge Caution.....                         | 11 |
| 5.8 Operating Characteristics.....  | 6 | 9.6 Glossary.....  | 11 |
| <b>6 Parameter Measurement Information</b> .....                              | 7 | <b>10 Revision History</b> .....                                 | 11 |
| <b>7 Detailed Description</b> .....   | 8 | <b>11 Mechanical, Packaging, and Orderable Information</b> ..... | 12 |
| 7.1 Overview.....   | 8 |  |    |
| 7.2 Functional Block Diagram.....   | 8 |  |    |

## 4 Pin Configuration and Functions

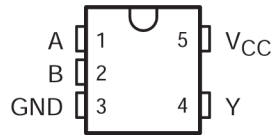


Figure 4-1. DBV or DCK Package (Top View)

Table 4-1. Pin Functions

| PIN |                 | TYPE | DESCRIPTION |
|-----|-----------------|------|-------------|
| NO. | NAME            |      |             |
| 1   | A               | I    | Input A     |
| 2   | B               | I    | Input B     |
| 3   | GND             | —    | Ground Pin  |
| 4   | Y               | O    | Output Y    |
| 5   | V <sub>CC</sub> | —    | Power Pin   |

## 5 Specifications

### 5.1 Absolute Maximum Ratings

over operating free-air temperature range (unless otherwise noted)<sup>(1)</sup>

|                               |   | MIN   | MAX                   | UNIT |
|-------------------------------|---|---|-----------------------|------|
| V <sub>CC</sub>               | Supply voltage                                    | -0.5  | 7                     | V    |
| V <sub>I</sub> <sup>(2)</sup> | Input voltage                                     | -0.5  | 7                     | V    |
| V <sub>O</sub> <sup>(2)</sup> | Output voltage                                    | -0.5  | V <sub>CC</sub> + 0.5 | V    |
| I <sub>IK</sub>               | Input clamp current                               | (V <sub>I</sub> < 0)                                      | -20                   | mA   |
| I <sub>OK</sub>               | Output clamp current                              | (V <sub>O</sub> < 0 or V <sub>O</sub> > V <sub>CC</sub> ) | ±20                   | mA   |
| I <sub>O</sub>                | Continuous output current                         | (V <sub>O</sub> = 0 to V <sub>CC</sub> )                  | ±25                   | mA   |
|                               | Continuous current through V <sub>CC</sub> or GND |   | ±50                   | mA   |
| T <sub>stg</sub>              | Storage temperature range                         | -65   | 150                   | °C   |

- (1) Stresses beyond those listed under “absolute maximum ratings” may cause permanent damage to the device. These are stress ratings only, and functional operation of the device at these or any other conditions beyond those indicated under “recommended operating conditions” is not implied. Exposure to absolute-maximum-rated conditions for extended periods may affect device reliability.
- (2) The input and output voltage ratings may be exceeded if the input and output current ratings are observed.

### 5.2 ESD Ratings

|                    |                         | VALUE   | UNIT  |
|--------------------|-------------------------|---|-------|
| V <sub>(ESD)</sub> | Electrostatic discharge | Human body model (HBM), per AEC Q100-002 <sup>(1)</sup> | ±2000 |
|                    |                         | Charged device model (CDM), per AEC Q100-011            | ±1000 |

- (1) AEC Q100-002 indicates that HBM stressing must be in accordance with the ANSI/ESDA/JEDEC JS-001 specification.

### 5.3 Recommended Operating Conditions

over recommended operating free-air temperature range (unless otherwise noted)<sup>3</sup>

|                 |                                    | MIN                             | MAX             | MIN  | MAX             | UNIT |
|-----------------|------------------------------------|---------------------------------|-----------------|------|-----------------|------|
| V <sub>CC</sub> | Supply voltage                     | 2                               | 5.5             | 2    | 5.5             | V    |
| V <sub>IH</sub> | High-level input voltage           | V <sub>CC</sub> = 2 V           | 1.5             | 1.5  |                 | V    |
|                 |                                    | V <sub>CC</sub> = 3 V           | 2.1             | 2.1  |                 |      |
|                 |                                    | V <sub>CC</sub> = 5.5 V         | 3.85            | 3.85 |                 |      |
| V <sub>IL</sub> | Low-level input voltage            | V <sub>CC</sub> = 2 V           |                 | 0.5  | 0.5             | V    |
|                 |                                    | V <sub>CC</sub> = 3 V           |                 | 0.9  | 0.9             |      |
|                 |                                    | V <sub>CC</sub> = 5.5 V         |                 | 1.65 | 1.65            |      |
| V <sub>I</sub>  | Input voltage                      | 0                               | 5.5             | 0    | 5.5             | V    |
| V <sub>O</sub>  | Output voltage                     | 0                               | V <sub>CC</sub> | 0    | V <sub>CC</sub> | V    |
| I <sub>OH</sub> | High-level output current          | V <sub>CC</sub> = 2 V           |                 | -50  | -50             | μA   |
|                 |                                    | V <sub>CC</sub> = 3.3 V ± 0.3 V |                 | -4   | -4              | mA   |
|                 |                                    | V <sub>CC</sub> = 5 V ± 0.5 V   |                 | -8   | -8              |      |
| I <sub>OL</sub> | Low-level output current           | V <sub>CC</sub> = 2 V           |                 | 50   | 50              | μA   |
|                 |                                    | V <sub>CC</sub> = 3.3 V ± 0.3 V |                 | 4    | 4               | mA   |
|                 |                                    | V <sub>CC</sub> = 5 V ± 0.5 V   |                 | 8    | 8               |      |
| Δt/Δv           | Input transition rise or fall rate | V <sub>CC</sub> = 3.3 V ± 0.3 V |                 | 100  | 100             | ns/V |
|                 |                                    | V <sub>CC</sub> = 5 V ± 0.5 V   |                 | 20   | 20              |      |
| T <sub>A</sub>  | Operating free-air temperature     | I Suffix                        | -40             | 85   |                 | °C   |
|                 |                                    | Q Suffix                        |                 |      | -40             |      |

- (1) All unused inputs of the device must be held at V<sub>CC</sub> or GND to ensure proper device operation. Refer to the TI application report, *Implications of Slow or Floating CMOS Inputs*, literature number SCBA004.

## 5.4 Thermal Information

| THERMAL METRIC <sup>(1)</sup> |  | SN74AHC1G08-Q1 |        | UNIT |
|-------------------------------|--|----------------|--------|------|
|                               |  | DBV            | DCK    |      |
|                               |  | 5 PINS         | 5 PINS |      |
| R <sub>θJA</sub>              | Junction-to-ambient thermal resistance | 278            | 289.2  | °C/W |

(1) For more information about traditional and new thermal metrics, see the *IC Package Thermal Metrics* application report (SPRA953).

## 5.5 Electrical Characteristics

over recommended operating free-air temperature range (unless otherwise noted)

| PARAMETER       | TEST CONDITIONS                               | V <sub>CC</sub> | T <sub>A</sub> = 25°C |     |      | -40°C TO 85°C |      | -40°C TO 125°C |      | UNIT |
|-----------------|---|-----------------|-----------------------|-----|------|---------------|------|----------------|------|------|
|                 |   |                 | MIN                   | TYP | MAX  | MIN           | MAX  | MIN            | MAX  |      |
| V <sub>OH</sub> | I <sub>OH</sub> = -50 mA                      | 2 V             | 1.9                   | 2   |      | 1.9           |      | 1.9            | V    |      |
|                 |   | 3 V             | 2.9                   | 3   |      | 2.9           |      | 2.9            |      |      |
|                 |   | 4.5 V           | 4.4                   | 4.5 |      | 4.4           |      | 4.4            |      |      |
|                 | I <sub>OH</sub> = -4 mA                       | 3 V             | 2.58                  |     |      | 2.48          |      | 2.4            |      |      |
|                 | I <sub>OH</sub> = -8 mA                       | 4.5 V           | 3.94                  |     |      | 3.8           |      | 3.7            |      |      |
| V <sub>OL</sub> | I <sub>OL</sub> = 50 mA                       | 2 V             |                       |     | 0.1  |               | 0.1  |                | 0.1  | V    |
|                 |   | 3 V             |                       |     | 0.1  |               | 0.1  |                | 0.1  |      |
|                 |   | 4.5 V           |                       |     | 0.1  |               | 0.1  |                | 0.1  |      |
|                 | I <sub>OL</sub> = 4 mA                        | 3 V             |                       |     | 0.36 |               | 0.44 |                | 0.52 |      |
|                 | I <sub>OL</sub> = 8 mA                        | 4.5 V           |                       |     | 0.36 |               | 0.44 |                | 0.52 |      |
| I <sub>I</sub>  | V <sub>I</sub> = 5.5 V or GND                 | 0 V to 5.5 V    |                       |     | ±0.1 |               | ±1   |                | ±1   | µA   |
| I <sub>CC</sub> | V <sub>I</sub> = V or GND, I <sub>O</sub> = 0 | 5.5 V           |                       |     | 1    |               | 10   |                | 20   | µA   |
| C <sub>i</sub>  | V <sub>I</sub> = V <sub>CC</sub> or GND       | 5 V             |                       | 4   | 10   |               | 10   |                | 10   | pF   |

## 5.6 Switching Characteristics, V<sub>CC</sub> = 3.3 V ± 0.3 V

over recommended operating free-air temperature range, V<sub>CC</sub> = 3.3 V ± 0.3 V (unless otherwise noted) (see [Load Circuit and Voltage Waveforms](#))

| PARAMETER        | FROM (INPUT) | TO (OUTPUT) | OUTPUT CAPACITANCE     | T <sub>A</sub> = 25°C |     |      | -40°C TO 85°C |      | -40°C TO 125°C |      | UNIT |
|------------------|--------------|-------------|------------------------|-----------------------|-----|------|---------------|------|----------------|------|------|
|                  |              |             |                        | MIN                   | TYP | MAX  | MIN           | MAX  | MIN            | MAX  |      |
| t <sub>PLH</sub> | A or B       | Y           | C <sub>L</sub> = 15 pF |                       | 6.2 | 8.8  | 1             | 10.5 |                | 12.5 | ns   |
| t <sub>PHL</sub> |              |             |                        |                       | 6.2 | 8.8  | 1             | 10.5 |                | 12.5 |      |
| t <sub>PLH</sub> | A or B       | Y           | C <sub>L</sub> = 50 pF |                       | 8.7 | 12.3 | 1             | 14   |                | 16.5 | ns   |
| t <sub>PHL</sub> |              |             |                        |                       | 8.7 | 12.3 | 1             | 14   |                | 16.5 |      |

## 5.7 Switching Characteristics, $V_{CC} = 5\text{ V} \pm 0.5\text{ V}$

over recommended operating free-air temperature range,  $V_{CC} = 5\text{ V} \pm 0.5\text{ V}$  (unless otherwise noted) (see [Load Circuit and Voltage Waveforms](#))

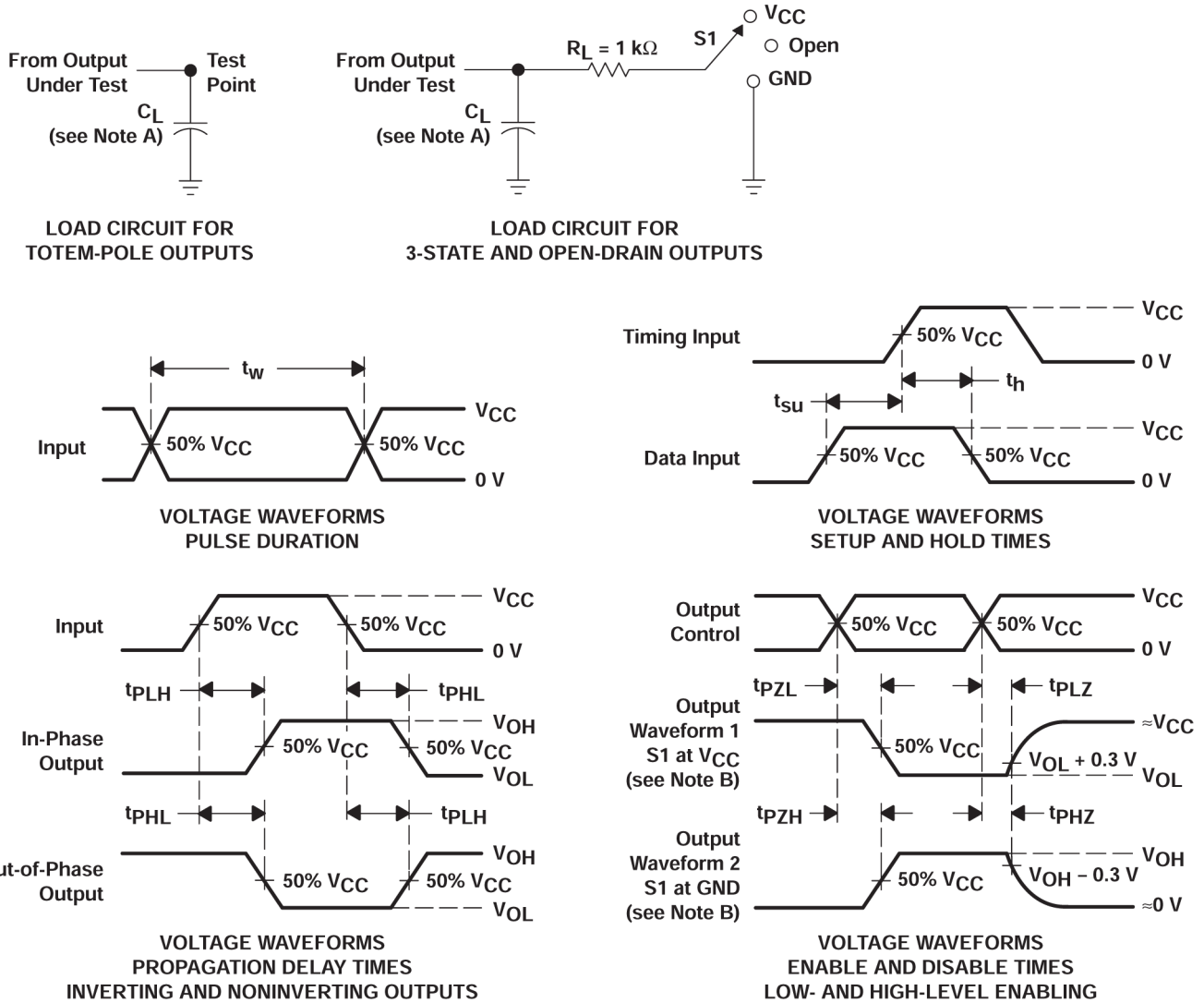
| PARAMETER | FROM (INPUT) | TO (OUTPUT) | OUTPUT CAPACITANCE   | $T_A = 25^\circ\text{C}$ |     |     | $-40^\circ\text{C TO } 85^\circ\text{C}$ |     | $-40^\circ\text{C TO } 125^\circ\text{C}$ |     | UNIT |
|-----------|--------------|-------------|----------------------|--------------------------|-----|-----|--|-----|---|-----|------|
|           |              |             |                      | MIN                      | TYP | MAX | MIN                                      | MAX | MIN                                       | MAX |      |
| $t_{PLH}$ | A or B       | Y           | $C_L = 15\text{ pF}$ |                          | 4.3 | 5.9 |  | 7   |   | 9   | ns   |
| $t_{PHL}$ |              |             |                      |                          | 4.3 | 5.9 |  | 7   |   | 9   |      |
| $t_{PLH}$ | A or B       | Y           | $C_L = 50\text{ pF}$ |                          | 5.8 | 7.9 |  | 9   |   | 11  | ns   |
| $t_{PHL}$ |              |             |                      |                          | 5.8 | 7.9 |  | 9   |   | 11  |      |

## 5.8 Operating Characteristics

$V_{CC} = 5\text{ V}$ ,  $T_A = 25^\circ\text{C}$

| PARAMETER |                               | TEST CONDITIONS |                    | TYP | UNIT |
|-----------|-------------------------------|-----------------|--------------------|-----|------|
| $C_{pd}$  | Power dissipation capacitance | No load,        | $f = 1\text{ MHz}$ | 18  | pF   |

## 6 Parameter Measurement Information



- A.  $C_L$  includes probe and jig capacitance.
- B. Waveform 1 is for an output with internal conditions such that the output is low, except when disabled by the output control. Waveform 2 is for an output with internal conditions such that the output is high, except when disabled by the output control.
- C. All input pulses are supplied by generators having the following characteristics:  $PRR \leq 1$  MHz,  $Z_O = 50 \Omega$ ,  $t_r \leq 3$  ns,  $t_f \leq 3$  ns.
- D. The outputs are measured one at a time, with one input transition per measurement.
- E. All parameters and waveforms are not applicable to all devices.

**Figure 6-1. Load Circuit and Voltage Waveforms**

| TEST              | S1       |
|-------------------|----------|
| $t_{PLH}/t_{PHL}$ | Open     |
| $t_{PLZ}/t_{PZL}$ | $V_{CC}$ |
| $t_{PHZ}/t_{PZH}$ | GND      |
| Open Drain        | $V_{CC}$ |

## 7 Detailed Description

### 7.1 Overview

The SN74AHC1G08-Q1 contains four independent 2-input AND Gates with Schmitt-trigger inputs. Each gate performs the Boolean function  $Y = A \times B$  in positive logic. The output level is referenced to the supply voltage ( $V_{CC}$ ) and supports 1.8-V, 2.5-V, 3.3-V, and 5-V CMOS levels.

### 7.2 Functional Block Diagram



Figure 7-1. Logic Diagram (Positive Logic)

### 7.3 Feature Description

#### 7.3.1 CMOS Schmitt-Trigger Inputs

This device includes inputs with the Schmitt-trigger architecture. These inputs are high impedance and are typically modeled as a resistor in parallel with the input capacitance given in the *Electrical Characteristics* table from the input to ground. The worst case resistance is calculated with the maximum input voltage, given in the *Absolute Maximum Ratings* table, and the maximum input leakage current, given in the *Electrical Characteristics* table, using Ohm's law ( $R = V \div I$ ).

The Schmitt-trigger input architecture provides hysteresis as defined by  $\Delta V_T$  in the *Electrical Characteristics* table, which makes this device extremely tolerant to slow or noisy inputs. While the inputs can be driven much slower than standard CMOS inputs, it is still recommended to properly terminate unused inputs. Driving the inputs with slow transitioning signals will increase dynamic current consumption of the device. For additional information regarding Schmitt-trigger inputs, please see [Understanding Schmitt Triggers](#).

### 7.4 Device Functional Modes

Table 7-1 lists the functional modes of the SN74AHC1G08-Q1.

Table 7-1. Function Table

| INPUTS <sup>(1)</sup> |   | OUTPUT |
|-----------------------|---|--------|
| A                     | B | Y      |
| H                     | H | H      |
| L                     | X | L      |
| X                     | L | L      |

(1) H = high voltage level, L = low voltage level, X = do not care, Z = high impedance



## 8 Application and Implementation

### Note

Information in the following applications sections is not part of the TI component specification, and TI does not warrant its accuracy or completeness. TI's customers are responsible for determining suitability of components for their purposes, as well as validating and testing their design implementation to confirm system functionality.

### 8.1 Typical Application

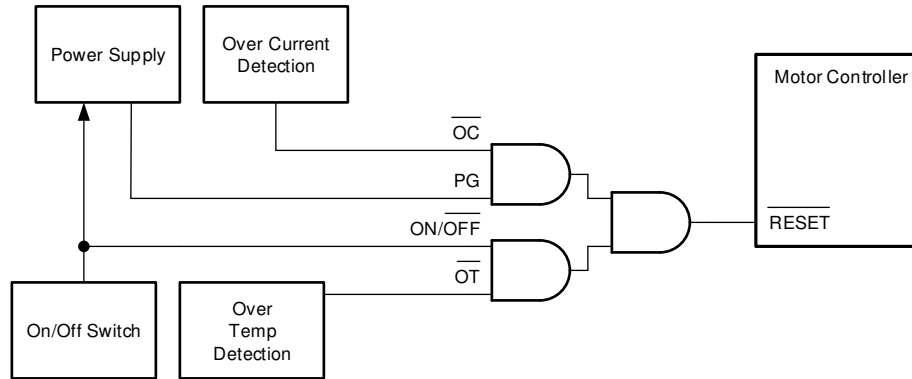


Figure 8-1. Typical Application Block Diagram

### 8.2 Power Supply Recommendations

The power supply can be any voltage between the minimum and maximum supply voltage rating located in the *Recommended Operating Conditions*. Each  $V_{CC}$  terminal should have a good bypass capacitor to prevent power disturbance. A 0.1- $\mu\text{F}$  capacitor is recommended for this device. It is acceptable to parallel multiple bypass capacitors to reject different frequencies of noise. The 0.1- $\mu\text{F}$  and 1- $\mu\text{F}$  capacitors are commonly used in parallel. The bypass capacitor should be installed as close to the power terminal as possible for best results, as shown in the following layout example.

### 8.3 Layout

#### 8.3.1 Layout Guidelines

When using multiple-input and multiple-channel logic devices, inputs must never be left floating. In many cases, functions or parts of functions of digital logic devices are unused (for example, when only two inputs of a triple-input AND gate are used or only 3 of the 4 buffer gates are used). Such unused input pins must not be left unconnected because the undefined voltages at the outside connections result in undefined operational states. All unused inputs of digital logic devices must be connected to a logic high or logic low voltage, as defined by the input voltage specifications, to prevent them from floating. The logic level that must be applied to any particular unused input depends on the function of the device. Generally, the inputs are tied to GND or  $V_{CC}$ , whichever makes more sense for the logic function or is more convenient.

### 8.3.1.1 Layout Example

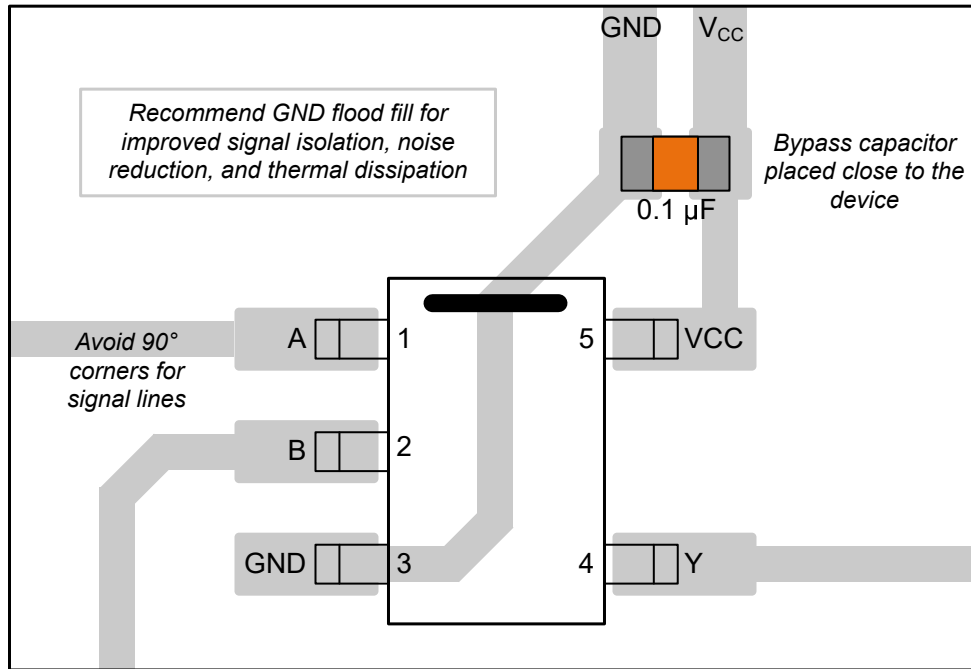


Figure 8-2. Example Layout for the SN74AHC1G08-Q1

## 9 Device and Documentation Support

### 9.1 Documentation Support (Analog)

#### 9.1.1 Related Documentation

For related documentation, see the following:

- Texas Instruments, [CMOS Power Consumption and Cpd Calculation application note](#)
- Texas Instruments, [Designing With Logic application note](#)
- Texas Instruments, [Thermal Characteristics of Standard Linear and Logic \(SLL\) Packages and Devices application note](#)
- Texas Instruments, [Implications of Slow or Floating CMOS Inputs application note](#)

### 9.2 Receiving Notification of Documentation Updates

To receive notification of documentation updates, navigate to the device product folder on [ti.com](#). Click on *Subscribe to updates* to register and receive a weekly digest of any product information that has changed. For change details, review the revision history included in any revised document.

### 9.3 Support Resources

[TI E2E™ support forums](#) are an engineer's go-to source for fast, verified answers and design help — straight from the experts. Search existing answers or ask your own question to get the quick design help you need.

Linked content is provided "AS IS" by the respective contributors. They do not constitute TI specifications and do not necessarily reflect TI's views; see TI's [Terms of Use](#).

### 9.4 Trademarks

TI E2E™ is a trademark of Texas Instruments.

All trademarks are the property of their respective owners.

### 9.5 Electrostatic Discharge Caution



This integrated circuit can be damaged by ESD. Texas Instruments recommends that all integrated circuits be handled with appropriate precautions. Failure to observe proper handling and installation procedures can cause damage.

ESD damage can range from subtle performance degradation to complete device failure. Precision integrated circuits may be more susceptible to damage because very small parametric changes could cause the device not to meet its published specifications.

### 9.6 Glossary

[TI Glossary](#) This glossary lists and explains terms, acronyms, and definitions.

## 10 Revision History

| Changes from Revision D (October 2023) to Revision E (February 2024)       | Page |
|--|------|
| • Updated R $\theta$ JA values: DBV = 206 to 278, all values in °C/W ..... | 5    |

| Changes from Revision C (October 2004) to Revision D (October 2023)   | Page |
|---|------|
| • Added <i>Applications</i> section, <i>Package Information</i> table, <i>Pin Functions</i> table, <i>ESD Ratings</i> table, <i>Thermal Information</i> table, <i>Device Functional Modes</i> , <i>Application and Implementation</i> section, <i>Device and Documentation Support</i> section, and <i>Mechanical, Packaging, and Orderable Information</i> section ..... | 1    |
| • Updated R $\theta$ JA values: DCK = 252 to 289.2, all values in °C/W .....  | 5    |

## 11 Mechanical, Packaging, and Orderable Information

The following pages include mechanical, packaging, and orderable information. This information is the most current data available for the designated devices. This data is subject to change without notice and revision of this document. For browser-based versions of this data sheet, refer to the left-hand navigation.

**PACKAGING INFORMATION**

| Orderable Device   | Status<br>(1) | Package Type | Package Drawing | Pins | Package Qty | Eco Plan<br>(2) | Lead finish/<br>Ball material<br>(6) | MSL Peak Temp<br>(3) | Op Temp (°C) | Device Marking<br>(4/5) | Samples                 |
|--------------------|---------------|--------------|-----------------|------|-------------|-----------------|--------------------------------------|----------------------|--------------|-------------------------|-------------------------|
| SN74AHC1G08QDBVRQ1 | ACTIVE        | SOT-23       | DBV             | 5    | 3000        | RoHS & Green    | NIPDAU                               | Level-1-260C-UNLIM   | -40 to 125   | A08U                    | <a href="#">Samples</a> |
| SN74AHC1G08QDCKRQ1 | ACTIVE        | SC70         | DCK             | 5    | 3000        | RoHS & Green    | NIPDAU                               | Level-1-260C-UNLIM   | -40 to 125   | AEU                     | <a href="#">Samples</a> |

(1) The marketing status values are defined as follows:

**ACTIVE:** Product device recommended for new designs.

**LIFEBUY:** TI has announced that the device will be discontinued, and a lifetime-buy period is in effect.

**NRND:** Not recommended for new designs. Device is in production to support existing customers, but TI does not recommend using this part in a new design.

**PREVIEW:** Device has been announced but is not in production. Samples may or may not be available.

**OBSOLETE:** TI has discontinued the production of the device.

(2) **RoHS:** TI defines "RoHS" to mean semiconductor products that are compliant with the current EU RoHS requirements for all 10 RoHS substances, including the requirement that RoHS substance do not exceed 0.1% by weight in homogeneous materials. Where designed to be soldered at high temperatures, "RoHS" products are suitable for use in specified lead-free processes. TI may reference these types of products as "Pb-Free".

**RoHS Exempt:** TI defines "RoHS Exempt" to mean products that contain lead but are compliant with EU RoHS pursuant to a specific EU RoHS exemption.

**Green:** TI defines "Green" to mean the content of Chlorine (Cl) and Bromine (Br) based flame retardants meet JS709B low halogen requirements of <=1000ppm threshold. Antimony trioxide based flame retardants must also meet the <=1000ppm threshold requirement.

(3) MSL, Peak Temp. - The Moisture Sensitivity Level rating according to the JEDEC industry standard classifications, and peak solder temperature.

(4) There may be additional marking, which relates to the logo, the lot trace code information, or the environmental category on the device.

(5) Multiple Device Markings will be inside parentheses. Only one Device Marking contained in parentheses and separated by a "~" will appear on a device. If a line is indented then it is a continuation of the previous line and the two combined represent the entire Device Marking for that device.

(6) Lead finish/Ball material - Orderable Devices may have multiple material finish options. Finish options are separated by a vertical ruled line. Lead finish/Ball material values may wrap to two lines if the finish value exceeds the maximum column width.

**Important Information and Disclaimer:**The information provided on this page represents TI's knowledge and belief as of the date that it is provided. TI bases its knowledge and belief on information provided by third parties, and makes no representation or warranty as to the accuracy of such information. Efforts are underway to better integrate information from third parties. TI has taken and continues to take reasonable steps to provide representative and accurate information but may not have conducted destructive testing or chemical analysis on incoming materials and chemicals. TI and TI suppliers consider certain information to be proprietary, and thus CAS numbers and other limited information may not be available for release.

In no event shall TI's liability arising out of such information exceed the total purchase price of the TI part(s) at issue in this document sold by TI to Customer on an annual basis.

**OTHER QUALIFIED VERSIONS OF SN74AHC1G08-Q1 :**

- Catalog : [SN74AHC1G08](#)

## NOTE: Qualified Version Definitions:

- Catalog - TI's standard catalog product

**TAPE AND REEL INFORMATION**

**QUADRANT ASSIGNMENTS FOR PIN 1 ORIENTATION IN TAPE**


\*All dimensions are nominal

| Device             | Package Type | Package Drawing | Pins | SPQ  | Reel Diameter (mm) | Reel Width W1 (mm) | A0 (mm) | B0 (mm) | K0 (mm) | P1 (mm) | W (mm) | Pin1 Quadrant |
|--------------------|--------------|-----------------|------|------|--------------------|--------------------|---------|---------|---------|---------|--------|---------------|
| SN74AHC1G08QDBVRQ1 | SOT-23       | DBV             | 5    | 3000 | 179.0              | 8.4                | 3.2     | 3.2     | 1.4     | 4.0     | 8.0    | Q3            |
| SN74AHC1G08QDCKRQ1 | SC70         | DCK             | 5    | 3000 | 179.0              | 8.4                | 2.2     | 2.5     | 1.2     | 4.0     | 8.0    | Q3            |

**TAPE AND REEL BOX DIMENSIONS**


\*All dimensions are nominal

| Device             | Package Type | Package Drawing | Pins | SPQ  | Length (mm) | Width (mm) | Height (mm) |
|--------------------|--------------|-----------------|------|------|-------------|------------|-------------|
| SN74AHC1G08QDBVRQ1 | SOT-23       | DBV             | 5    | 3000 | 200.0       | 183.0      | 25.0        |
| SN74AHC1G08QDCKRQ1 | SC70         | DCK             | 5    | 3000 | 200.0       | 183.0      | 25.0        |



# DBV0005A



# PACKAGE OUTLINE

SOT-23 - 1.45 mm max height

SMALL OUTLINE TRANSISTOR



**NOTES:**

1. All linear dimensions are in millimeters. Any dimensions in parenthesis are for reference only. Dimensioning and tolerancing per ASME Y14.5M.
2. This drawing is subject to change without notice.
3. Reference JEDEC MO-178.
4. Body dimensions do not include mold flash, protrusions, or gate burrs. Mold flash, protrusions, or gate burrs shall not exceed 0.25 mm per side.
5. Support pin may differ or may not be present.

4214839/J 02/2024

# EXAMPLE BOARD LAYOUT

DBV0005A

SOT-23 - 1.45 mm max height

SMALL OUTLINE TRANSISTOR



LAND PATTERN EXAMPLE  
EXPOSED METAL SHOWN  
SCALE:15X



SOLDER MASK DETAILS

4214839/J 02/2024

NOTES: (continued)

- 6. Publication IPC-7351 may have alternate designs.
- 7. Solder mask tolerances between and around signal pads can vary based on board fabrication site.

# EXAMPLE STENCIL DESIGN

DBV0005A

SOT-23 - 1.45 mm max height

SMALL OUTLINE TRANSISTOR

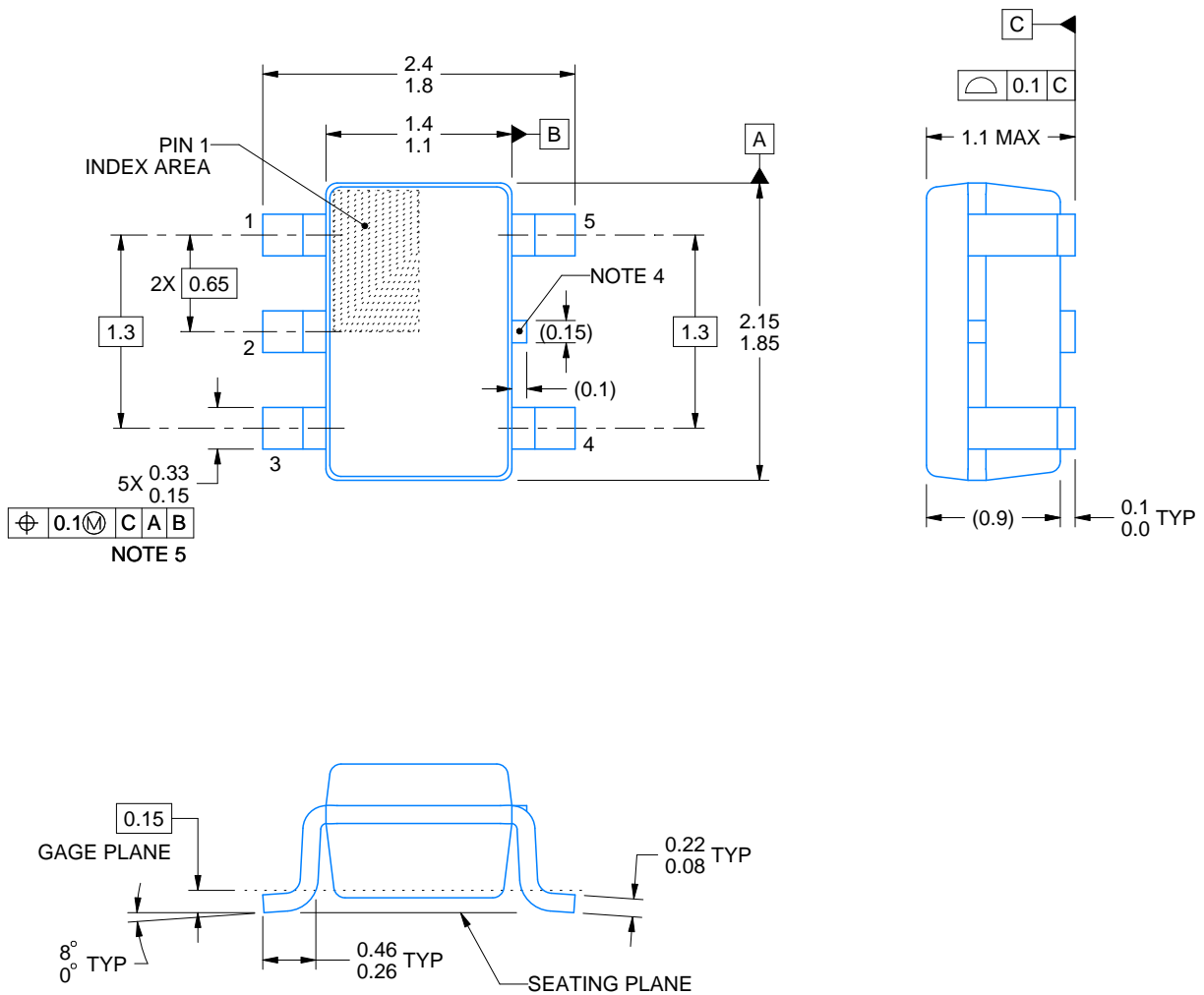


SOLDER PASTE EXAMPLE  
BASED ON 0.125 mm THICK STENCIL  
SCALE:15X

4214839/J 02/2024

NOTES: (continued)

8. Laser cutting apertures with trapezoidal walls and rounded corners may offer better paste release. IPC-7525 may have alternate design recommendations.
9. Board assembly site may have different recommendations for stencil design.



4214834/D 07/2023

NOTES:

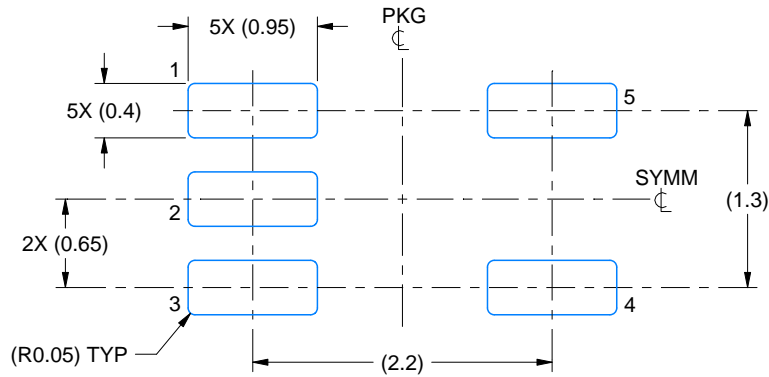
1. All linear dimensions are in millimeters. Any dimensions in parenthesis are for reference only. Dimensioning and tolerancing per ASME Y14.5M.
2. This drawing is subject to change without notice.
3. Reference JEDEC MO-203.
4. Support pin may differ or may not be present.
5. Lead width does not comply with JEDEC.

# EXAMPLE BOARD LAYOUT

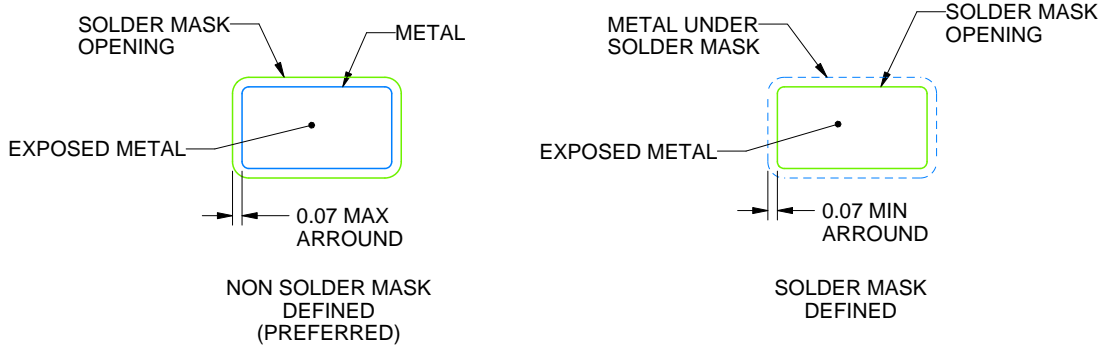
DCK0005A

SOT - 1.1 max height

SMALL OUTLINE TRANSISTOR



LAND PATTERN EXAMPLE  
EXPOSED METAL SHOWN  
SCALE:18X



SOLDER MASK DETAILS

4214834/D 07/2023

NOTES: (continued)

- 6. Publication IPC-7351 may have alternate designs.
- 7. Solder mask tolerances between and around signal pads can vary based on board fabrication site.

# EXAMPLE STENCIL DESIGN

DCK0005A

SOT - 1.1 max height

SMALL OUTLINE TRANSISTOR



SOLDER PASTE EXAMPLE  
BASED ON 0.125 THICK STENCIL  
SCALE:18X

4214834/D 07/2023

NOTES: (continued)

8. Laser cutting apertures with trapezoidal walls and rounded corners may offer better paste release. IPC-7525 may have alternate design recommendations.
9. Board assembly site may have different recommendations for stencil design.

## IMPORTANT NOTICE AND DISCLAIMER

TI PROVIDES TECHNICAL AND RELIABILITY DATA (INCLUDING DATA SHEETS), DESIGN RESOURCES (INCLUDING REFERENCE DESIGNS), APPLICATION OR OTHER DESIGN ADVICE, WEB TOOLS, SAFETY INFORMATION, AND OTHER RESOURCES "AS IS" AND WITH ALL FAULTS, AND DISCLAIMS ALL WARRANTIES, EXPRESS AND IMPLIED, INCLUDING WITHOUT LIMITATION ANY IMPLIED WARRANTIES OF MERCHANTABILITY, FITNESS FOR A PARTICULAR PURPOSE OR NON-INFRINGEMENT OF THIRD PARTY INTELLECTUAL PROPERTY RIGHTS.

These resources are intended for skilled developers designing with TI products. You are solely responsible for (1) selecting the appropriate TI products for your application, (2) designing, validating and testing your application, and (3) ensuring your application meets applicable standards, and any other safety, security, regulatory or other requirements.

These resources are subject to change without notice. TI grants you permission to use these resources only for development of an application that uses the TI products described in the resource. Other reproduction and display of these resources is prohibited. No license is granted to any other TI intellectual property right or to any third party intellectual property right. TI disclaims responsibility for, and you will fully indemnify TI and its representatives against, any claims, damages, costs, losses, and liabilities arising out of your use of these resources.

TI's products are provided subject to [TI's Terms of Sale](#) or other applicable terms available either on [ti.com](https://www.ti.com) or provided in conjunction with such TI products. TI's provision of these resources does not expand or otherwise alter TI's applicable warranties or warranty disclaimers for TI products.

TI objects to and rejects any additional or different terms you may have proposed.

Mailing Address: Texas Instruments, Post Office Box 655303, Dallas, Texas 75265  
Copyright © 2024, Texas Instruments Incorporated