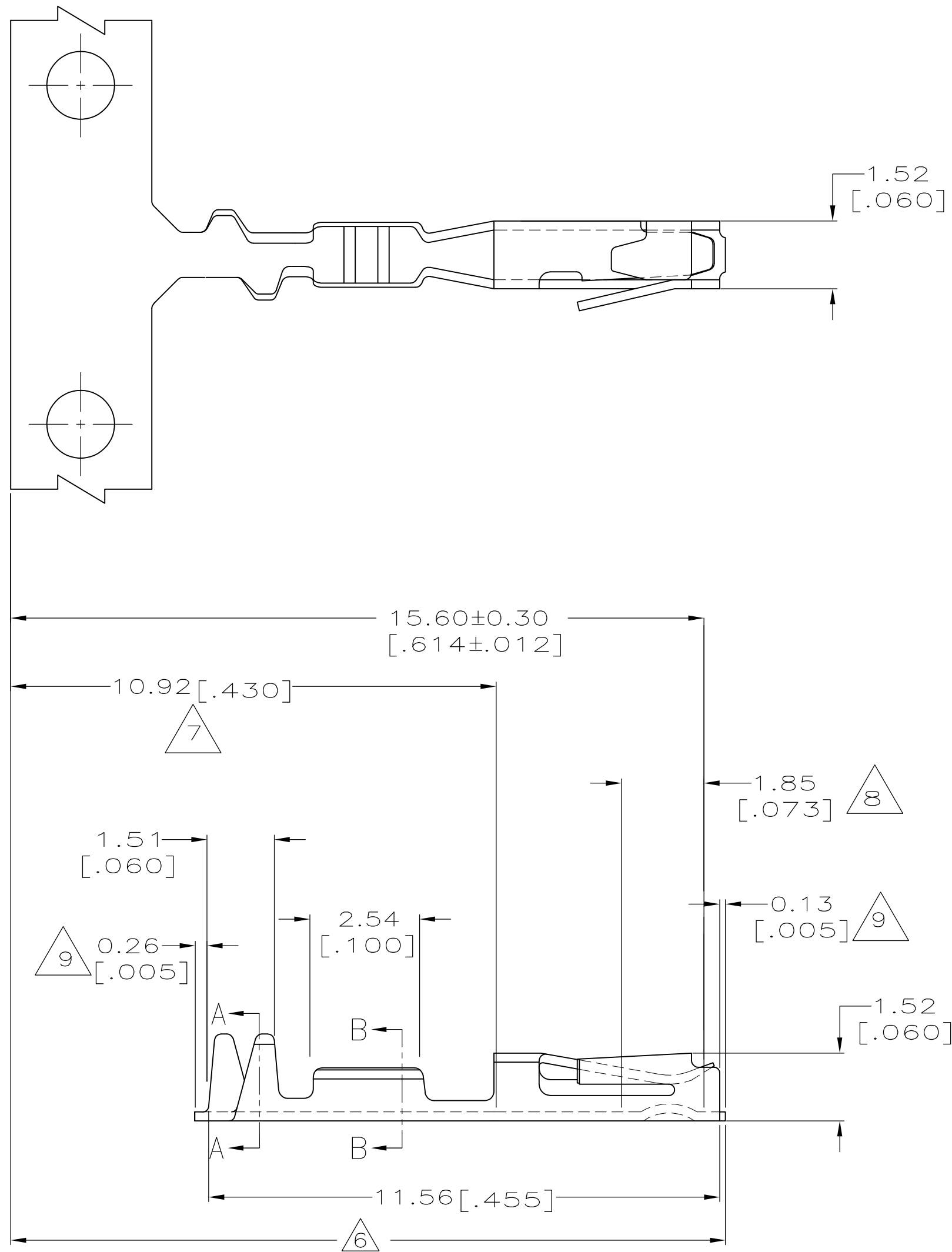
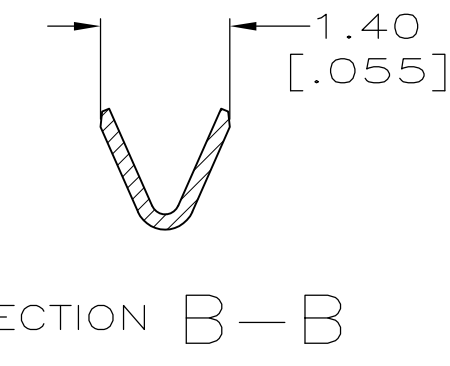
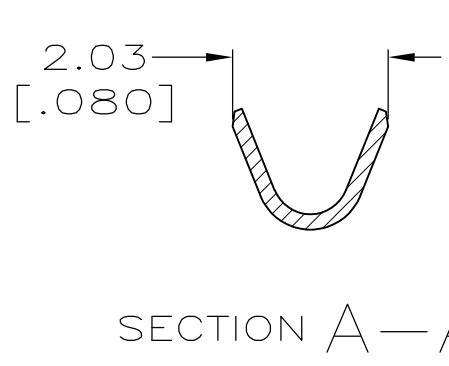


THIS DRAWING IS UNPUBLISHED. RELEASED FOR PUBLICATION  
 © COPYRIGHT BY TYCO ELECTRONICS CORPORATION. ALL RIGHTS RESERVED.

LOC	DIST	REVISIONS			
P	LTR	DESCRIPTION	DATE	DWN	APVD
	A	REV PER EC 0S12-0647-04	09MAY05	JA	SF
	A1	REVISED PER ECO-09-024927	10NOV09	KK	AEG



1. WIRE RANGE 28-32 AWG.
2. INSULATION RANGE 0.64-1.37 [.025-.054] DIA.
3. 0.00254 [.000100] MIN MATTE TIN OVER 0.000762 [.000030] MIN NICKEL.
4. PREPLATED 0.00127 [.000050] MIN MATTE TIN IN ZONES I & II, 0.000381 [.000015] MIN GOLD OVER 0.000762 [.000030] MIN NICKEL INLAY IN ZONE III.
5. PHOSPHOR BRONZE.
6. ZONE I (OUTSIDE SURFACES).
7. ZONE II (INSIDE SURFACES).
8. ZONE III (INSIDE SURFACES).
9. MAXIMUM CUTOFF.
10. OBSOLETE PARTS: OBSOLETE CIS STREAMLINING PER D.RENAUD/D.SINISI



OBSOLETE	4	5530901-7	5530901-6
10	3	5530901-5	5530901-4
FINISH		LOOSE PIECE PART NO	STRIP PART NO

THIS DRAWING IS A CONTROLLED DOCUMENT.		DWN J. ALCORTA - DOCK5 09MAY05	Tyco Electronics Corporation Harrisburg, PA 17105-3608	
DIMENSIONS: mm[inch]		CHK A. FRANTUM 09MAY05	NAME S. FLICKINGER	
TOLERANCES UNLESS OTHERWISE SPECIFIED: 0 PLC ± - 1 PLC ± - 2 PLC ± - 3 PLC ± 0.13[.005] 4 PLC ± - ANGLES ± -		APVD S. FLICKINGER 09MAY05	PRODUCT SPEC 108-25031	
MATERIAL		APPLICATION SPEC 114-25021	SIZE A2	CAGE CODE 00779
FINISH		WEIGHT -	DRAWING NO C=5530901	
CUSTOMER DRAWING			SCALE 4:1	SHEET 1 OF 1
			RESTRICTED TO -	REV A1

# Mouser Electronics

Authorized Distributor

Click to View Pricing, Inventory, Delivery & Lifecycle Information:

[TE Connectivity:](#)

[5530901-6](#)