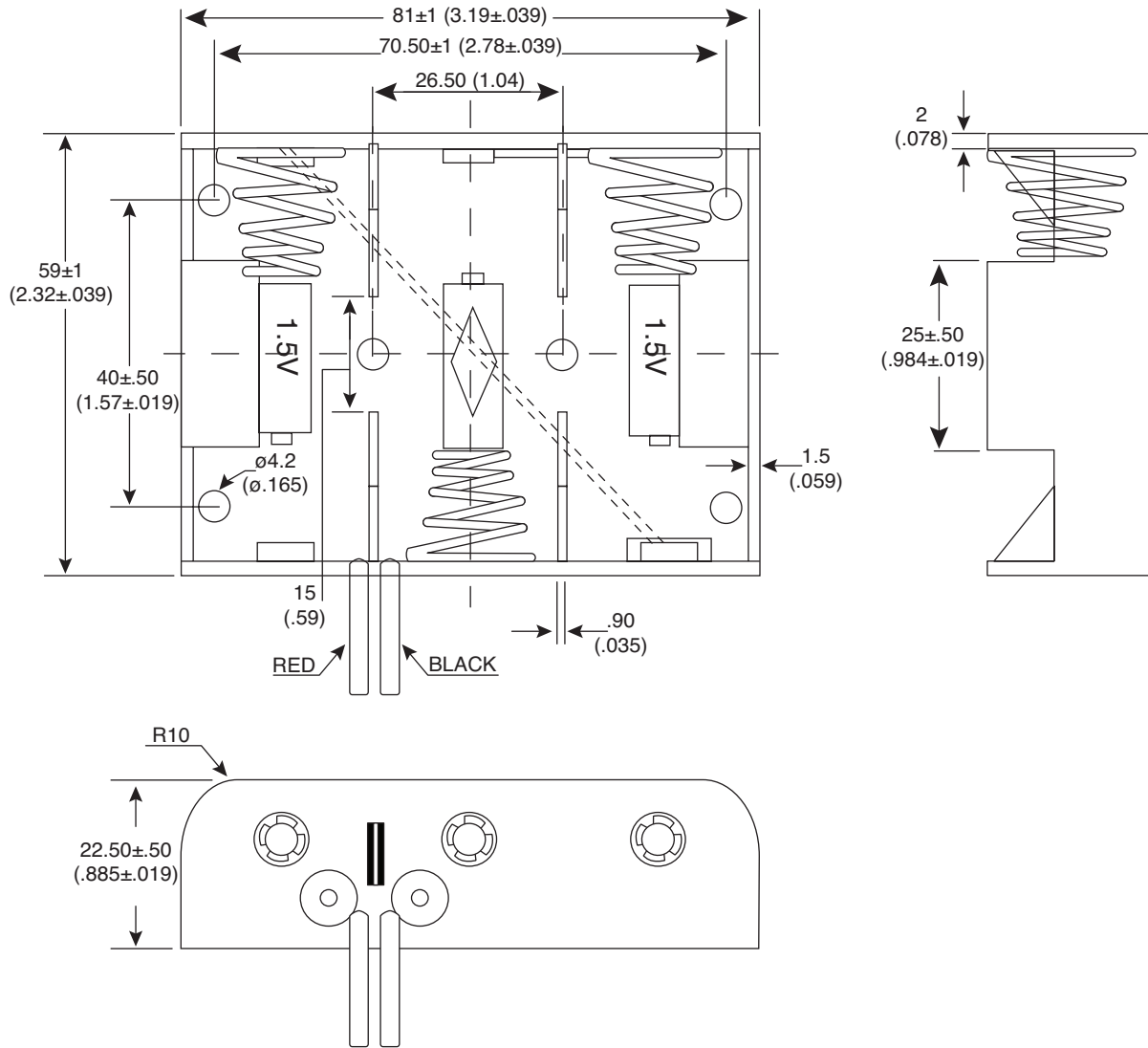


Date Last Revised: 5-10-12



DIMENSIONS: mm (in.)

SPECIFICATIONS	
Wire:	AWG #24
	Black and red 150mm ± 5mm
	Strip and tin 4mm±1mm
Material:	P.P. Resin, black color
Spring:	0.8mm 6.5C spring wire
RoHS Compliant	

Available from Mouser Electronics
1-800-346-6873 / www.mouser.com

EPD-200693

Mouser Electronics

Authorized Distributor

Click to View Pricing, Inventory, Delivery & Lifecycle Information:

[Eagle Plastic Devices:](#)

[12BH231-GR](#)