

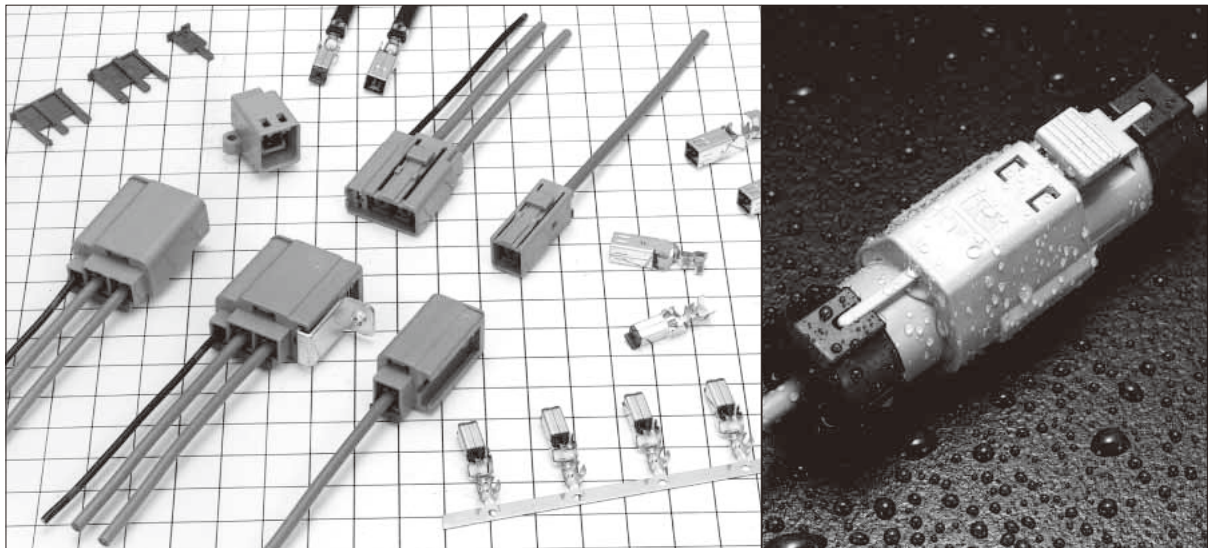
Patented

In-vehicle shielding connector with twin crimp technology

GT5 Series

— Connectors for coaxial cables —

<In-line, board mounted, combinations of coaxial cable with signal/power, Waterproof type.>



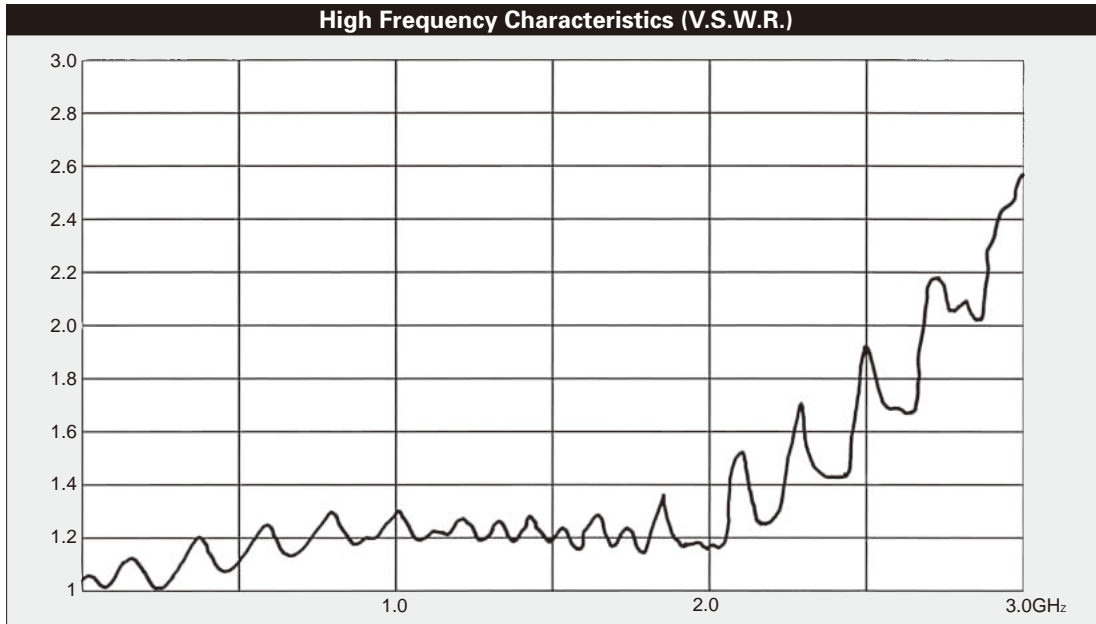
■ Features

- **USCAR specified connector as SAE/USCAR-19**
- **Low cost cable assembly**
Highly efficient and reliable one step crimp termination "Twin Crimp™" allows high volume production with semi-automatic equipment.
- **Space-saving design**
- **Excellent high frequency performance**
Refer to V.S.W.R. data on the following pages.

■ Applications

In-car communication, car sensors (temperature, pressure), automotive audio systems, GPS antenna systems, RACS antenna audio/video antenna systems, CRT displays, medical and measuring instrumentation, variety of communication equipment, office automation equipment, LAN systems.

◆ Test Data (Using 1.5D-2V Type cable)



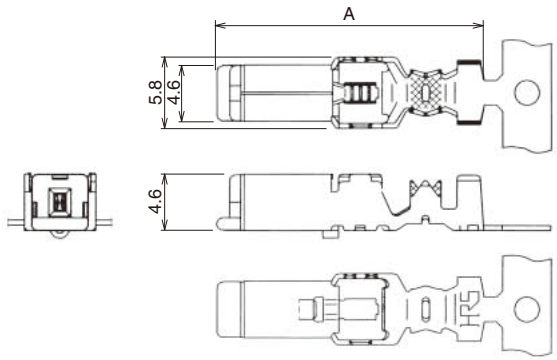
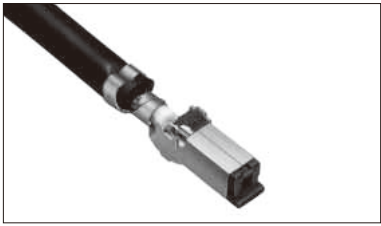
Note : Typical data using fully assembled and connected GT5-1S-HU and the GT5-1PP-HU.

◆ Termination sequence

<p>1. Strip the cable</p>	<p>3. Insert the terminal in the housing until fully locked. Push in the terminal with cable in the housing until the housing lance locked.</p>
<p>2. Crimp the cable to the terminal.</p>	<p>4. Fully insert the retainer. Push in the retainer until locked.</p>

Terminals for coaxial cable

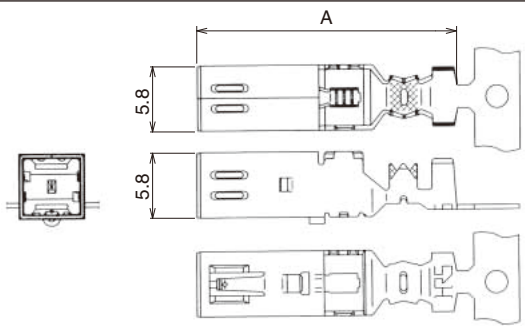
F Connector Terminals



Part No.	HRS No.	Material/Plating or Color	Conductor Size (AWG)	Inner Insulation Diameter	Outer Diameter	A	Packaging	RoHS	
GT5-30/0.7-1.5SCF(70)	755-0065-1 70	Insulator : PBT/Dark Gray Center terminal : Phosphor bronze/ Tin plating Outer terminal : Brass/Tin plating	30 AWG	φ0.6 to 0.9	φ1.4 to 1.8	22.7	1,300 pcs/reel	YES	
GT5-2428/1.1-2.2SCF	755-0123-6		24 to 28 AWG	φ1.0 to 1.4	φ2.0 to 2.4	21.7			
GT5-2428/1.6-2.5SCF(70)	755-0078-3 70		30 AWG	φ1.5 to 2.0	φ2.3 to 2.7				
GT5-30/1.6-2.9SCF(70)	755-0022-9 70				24 to 28 AWG	φ2.6 to 3.4			
GT5-2428/1.6-2.9SCF(70)	755-0002-1 70		20 to 22 AWG	φ2.0 to 2.5	φ3.3 to 3.7	22.7			1,100 pcs/reel
GT5-2022/1.6-2.9SCF(70)	755-0071-4 70				30 AWG				
* GT5-2022/F2.7-3.5SCF(70)	755-0077-0 70		24 to 28 AWG	φ4.6 to 5.0					
* GT5-30/F3.3-5SCF(70)	755-0016-6 70		20 to 22 AWG						
* GT5-2428/F3.3-5SCF(70)	755-0012-5 70		30 AWG	φ3.0 to 3.6					
* GT5-2022/F3.3-5SCF(70)	755-0034-8 70		24 to 28 AWG						
* GT5-30/F4-5SCF(70)	755-0020-3 70		30 AWG	20 to 22 AWG					
* GT5-2428/F4-5SCF(70)	755-0024-4 70		24 to 28 AWG						
* GT5-2022/F4-5SCF(70)	755-0036-3 70	20 to 22 AWG							

Note : Products marked with an asterisk (*) indicate polyethylene foam insulation.

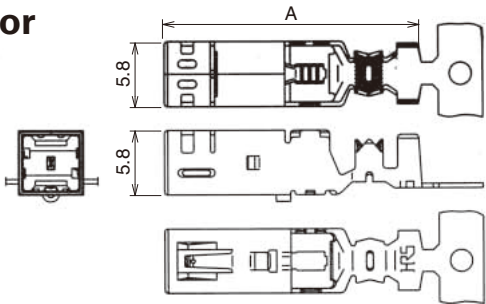
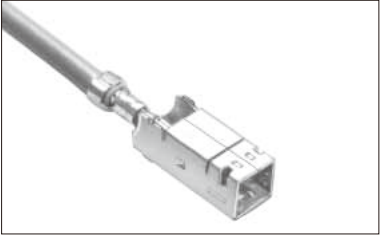
M Connector Terminals



Part No.	HRS No.	Material/Plating or Color	Conductor Size (AWG)	Inner Insulation Diameter	Outer Diameter	A	Packaging	RoHS
GT5-30/0.7-1.5PCF(70)	755-0017-9 70	Insulator : PBT/Dark Gray Center terminal : Brass/Tin plating Outer terminal : Brass/Tin plating	30 AWG	φ0.6 to 0.9	φ1.4 to 1.8	24.05	900 pcs/reel	YES
GT5-30/1.6-2.9PCF(70)	755-0021-6 70		24 to 28 AWG	φ1.5 to 2.0	φ2.6 to 3.4	23.05		
GT5-2428/1.6-2.9PCF(70)	755-0001-9 70		20 to 22 AWG	φ2.0 to 2.5	φ3.3 to 3.7			
GT5-2022/1.6-2.9PCF(70)	755-0094-0 70				30 AWG	φ2.5 to 2.9		
* GT5-2022/F2.7-3.5PCF(70)	755-0076-8 70		24 to 28 AWG	φ4.6 to 5.0				
* GT5-2022/F3.3-3.8PCF(70)	755-0053-2 70		20 to 22 AWG					
* GT5-30/F3.3-5PCF(70)	755-0015-3 70		30 AWG	φ3.0 to 3.6				
* GT5-2428/F3.3-5PCF(70)	755-0011-2 70		24 to 28 AWG					
* GT5-2022/F3.3-5PCF(70)	755-0033-5 70		30 AWG	20 to 22 AWG				
* GT5-30/F4-5PCF(70)	755-0019-4 70		24 to 28 AWG					
* GT5-2428/F4-5PCF(70)	755-0023-1 70		20 to 22 AWG					
* GT5-2022/F4-5PCF(70)	755-0035-0 70							

Note : Products marked with an asterisk (*) indicate polyethylene foam insulation.

Terminals for Low-insertion M Connector



Part No.	HRS No.	Material/Plating or Color	Conductor Size (AWG)	Inner Insulation Diameter	Outer Diameter	A	Packaging	RoHS
GT5L-30/0.7-1.5PCF(70)	755-0068-0 70	Insulator : PBT/Dark Gray Center terminal : Brass/Tin plating Outer terminal : Brass/Tin plating	30 AWG	φ0.6 to 0.9	φ1.4 to 1.8	24.05	900 pcs/reel	YES
GT5L-2428/1.6-2.5PCF(70)	755-0079-6 70		24 to 28 AWG	φ1.5 to 2.0	φ2.3 to 2.7	23.05		
GT5L-30/1.6-2.9PCF(70)	755-0067-7 70		30 AWG		φ2.6 to 3.4			
GT5L-2428/1.6-2.9PCF(70)	755-0066-4 70		24 to 28 AWG					

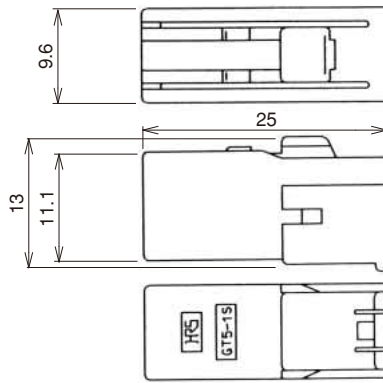
1 Pos. for coaxial cable

F Connectors

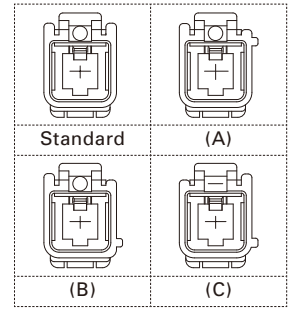
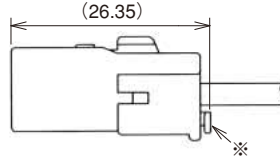
● Housings



GT5-1S-HU



◆Shown with inserted retainer.



*Used with separate retainer (GT5-1P/S-R), which is sold separately.

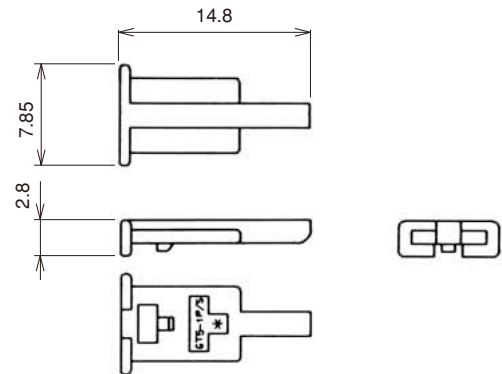
Part No.	HRS No.	Material	Color	Key polarizing code	Corresponding M Connector Housing- In-line	Corresponding M Connector Assembly- Board Mounting	Packaging	RoHS
GT5-1S-HU	755-0004-7	PBT	Light Gray	Standard	GT5-1PP-HU(70)	GT5-1P-DS(70)	1	YES
GT5-1S-HU(A)	755-0037-6		Brown	(A)	GT5-1PP-HU(A)(70)	GT5-1P-DS(A)(70)		
GT5-1S-HU(B)	755-0038-9		Green	(B)	GT5-1PP-HU(B)(70)	GT5-1P-DS(B)(70)		
GT5-1S-HU(C)	755-0080-5		Blue	(C)	GT5-1PP-HU(C)(70)	GT5-1P-DS(C)(70)		

*Mating Table(M Connectors) Please use a matching key tipe.

● Retainer (Used with : GT5-1S-HU, GT5-1PP-HU, GT5N-1PP-HU, GT5H-1PP-HU)



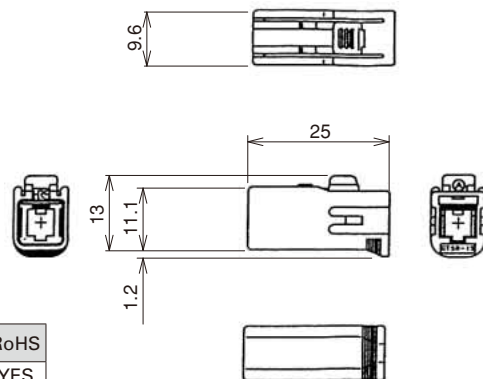
Part No.	HRS No.	Material	Color	Packaging	RoHS
GT5-1P/S-R	755-0006-2	PBT	Dark Gray	1	YES



● Housing (Retainer is not required)



GT5R-1S-HU



Part No.	HRS No.	Material	Color	Packaging	RoHS
GT5R-1S-HU	755-0047-0	PBT	Light Gray	1	YES

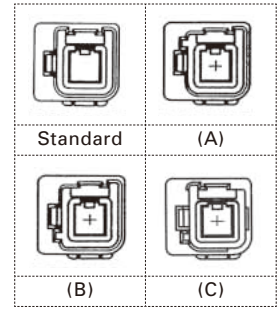
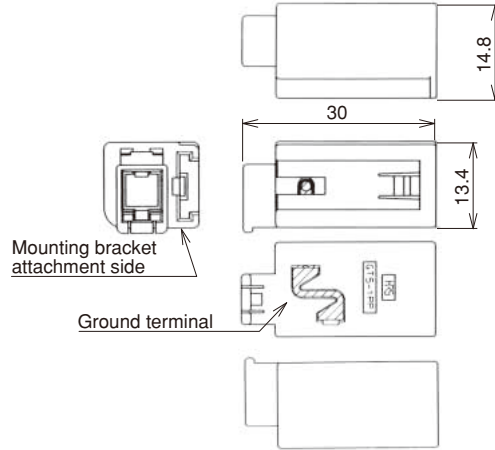
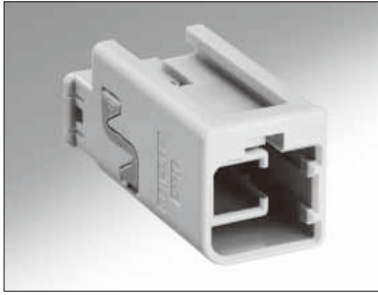
Nov. 1. 2020 Copyright 2020 HIROSE ELECTRIC CO., LTD. All Rights Reserved.

For Antenna

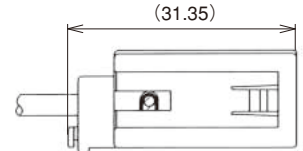
- GT5
- GT13
- GT16
- PO5G
- GT19
- GT21
- GT26
- GT36
- GT11
- GT17
- GT32
- GT3
- GT7
- GT10
- GT18W
- GT25
- GT8E
- GT9
- GT15

M Connectors

● Housings



◆ Shown with inserted retainer.

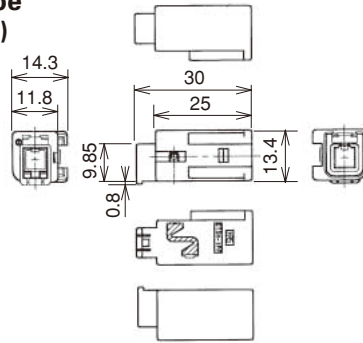
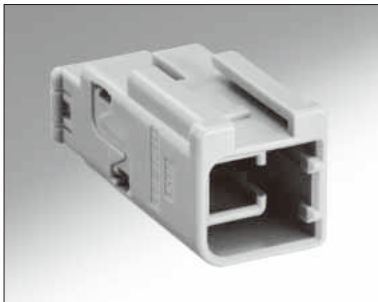


*Used with separate retainer (GT5-1P/S-R), which is sold separately.

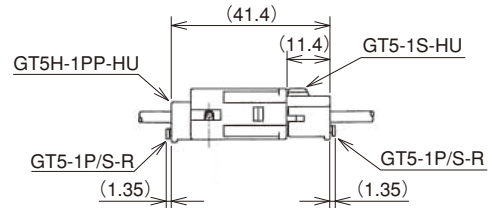
Part No.	HRS No.	Corresponding F Connector Housing	Material/Plating	Color	Key polarizing code	Packaging	RoHS
GT5-1PP-HU(70)	755-0005-0 70	GT5-1S-HU	Housing: PBT	Light Gray	Standard	1	YES
GT5-1PP-HU(A)(70)	755-0039-1 70	GT5-1S-HU(A)	Ground terminal: Phosphor bronze/ Tin plating	Brown	(A)		
GT5-1PP-HU(B)(70)	755-0040-0 70	GT5-1S-HU(B)		Green	(B)		
GT5-1PP-HU(C)(70)	755-0103-9 70	GT5-1S-HU (C)		Blue	(C)		

Note 1 : Refer to pages 27 for panel mounting in-line bracket.
 Note 2 : Please use a mating F connector housing of a matching key type.

● Housings (For use with H type mounting bracket)



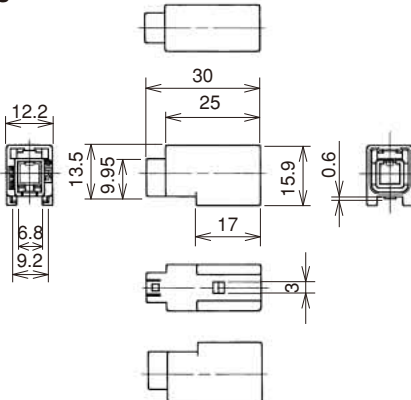
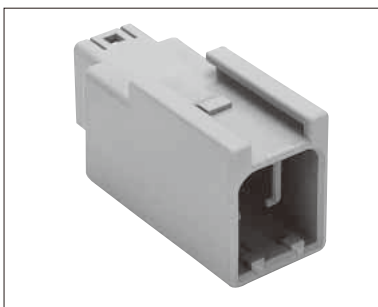
◆ Mated condition



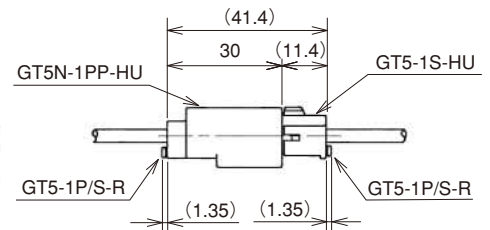
*Used with separate retainer (GT5-1P/S-R), which is sold separately.

Part No.	HRS No.	Material	Color	Corresponding F Connector Housing	Packaging	RoHS
GT5H-1PP-HU(10)	755-0093-7 10	PBT	Light Gray	GT5-1S-HU GT5R-1S-HU	1	YES

● Housing (For use with N type mounting bracket)



◆ Mated condition

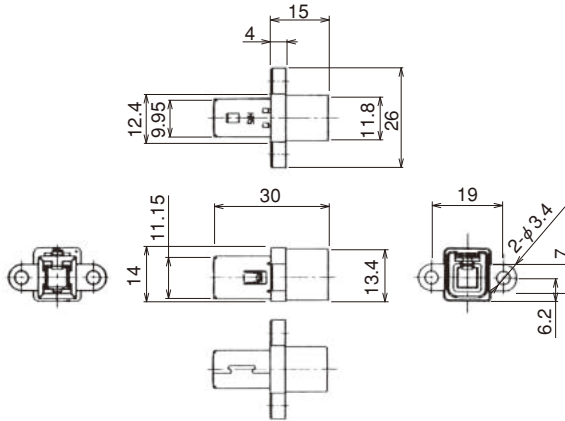
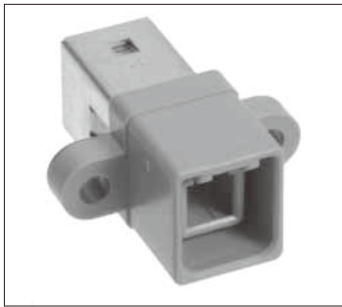


*Used with separate retainer (GT5-1P/S-R), which is sold separately.

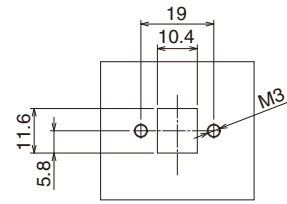
Part No.	HRS No.	Material	Color	Corresponding F Connector Housing	Packaging	RoHS
GT5N-1PP-HU	755-0090-9	PBT	Light Gray	GT5-1S-HU GT5R-1S-HU	1	YES

● Housings

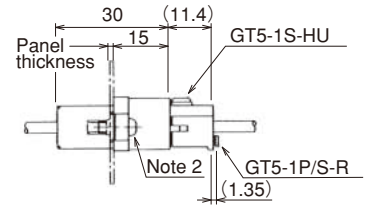
[Panel mounting, enhanced shielding type]



◆ Recommended Panel Cut-out



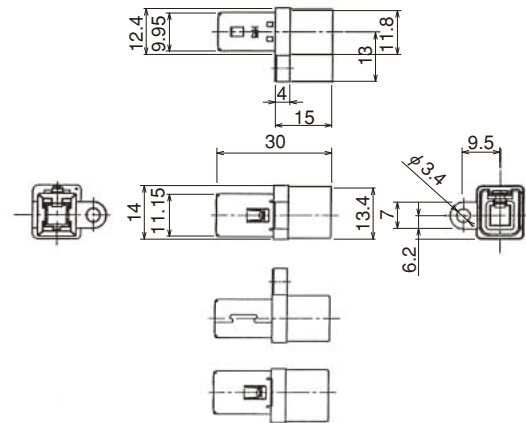
◆ Mated condition (mounted)



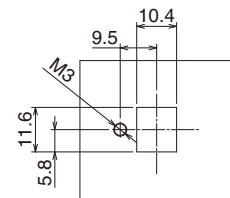
Part No.	HRS No.	Material/Plating or Color	Corresponding F Connector Housing	Packaging	RoHS
GT5A-1PP-HU(70)	755-0025-7 70	Housing : PBT/Light Gray Ground terminal : Brass/Tin plating	GT5-1S-HU GT5R-1S-HU	1	YES

Note 1 : Retainer is not required.

Note 2 : Use JIS B 1111 and 1101 M3 screws for the mounting screws.



◆ Recommended Panel Cut-out



Part No.	HRS No.	Material/Plating or Color	Corresponding F Connector Housing	Packaging	RoHS
GT5P-1PP-HU(70)	755-0030-7 70	Housing : PBT/Light Gray Ground terminal : Brass/Tin plating	GT5-1S-HU GT5R-1S-HU	1	YES

Note 1 : Retainer is not required.

Note 2 : Use JIS B 1111 and 1101 M3 screws for the mounting screws.

GT5

GT13

GT16

PO5G

GT19

GT21

GT26

GT36

GT11

GT17

GT32

GT3

GT7

GT10

GT18W

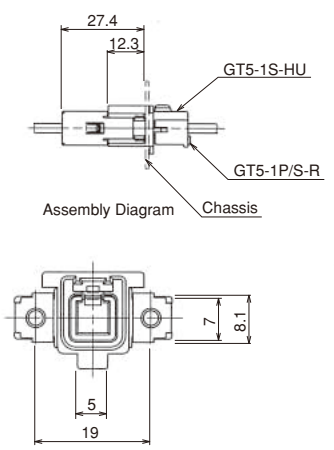
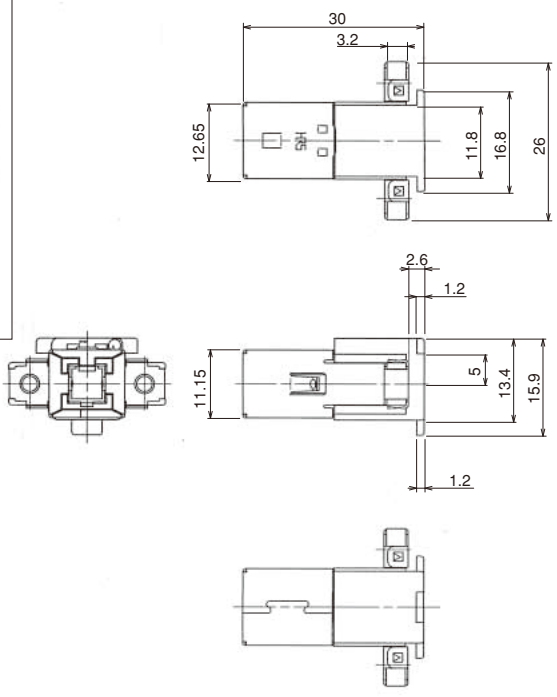
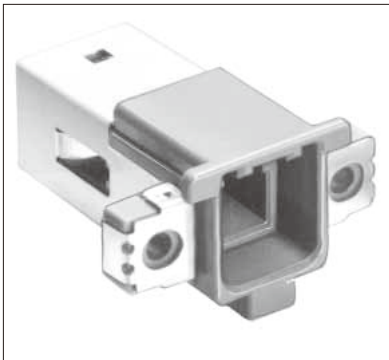
GT25

GT8E

GT9

GT15

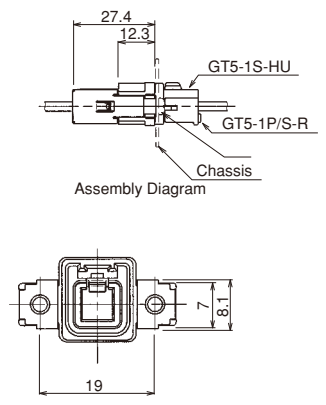
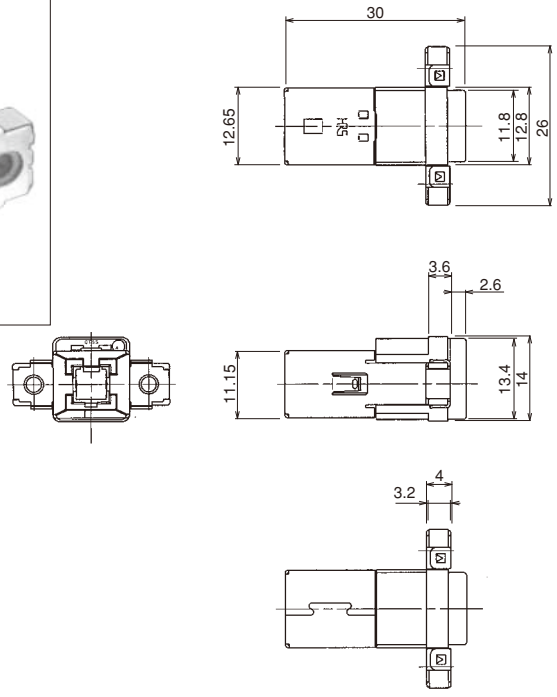
For Antenna



Part No.	HRS No.	Material/Plating or Color	Corresponding F Connector Housing	Packaging	RoHS
GT5B-1PP-HU(70)	755-0051-7 70	Housing : PBT / Light Gray Ground terminal : Phosphor bronze / Tin plating	GT5-1S-HU GT5R-1S-HU	1	YES

Note 1 : Retainer is not required.

Note 2 : Use JIS B 1115 and 1122 class 4, nominal diameter 3, length 6 screws for the mounting screws.



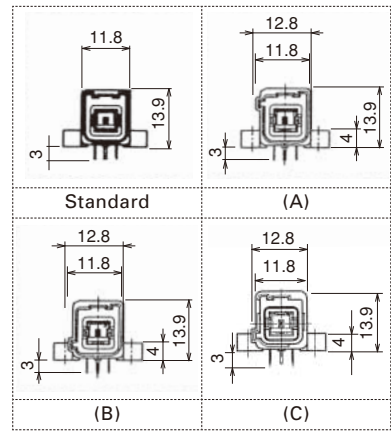
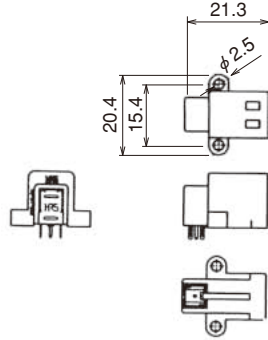
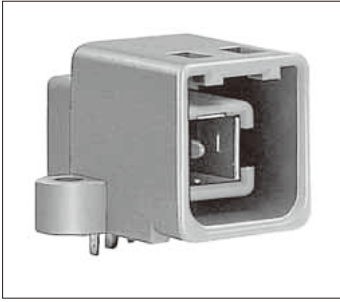
Part No.	HRS No.	Material/Plating or Color	Corresponding F Connector Housing	Packaging	RoHS
GT5S-1PP-HU(70)	755-0050-4 70	Housing : PBT / Light Gray Ground terminal : Phosphor bronze / Tin plating	GT5-1S-HU GT5R-1S-HU	1	YES

Note 1 : Retainer is not required.

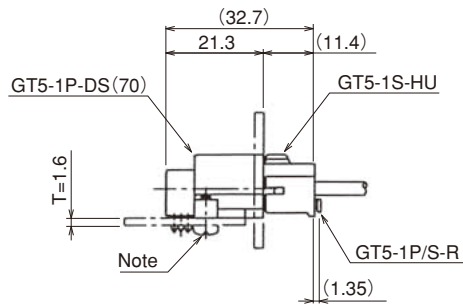
Note 2 : Use JIS B 1115 and 1122 class 4, nominal diameter 3, length 6 screws for the mounting screws.

Nov. 1 .2020 Copyright 2020 HIROSE ELECTRIC CO., LTD. All Rights Reserved.

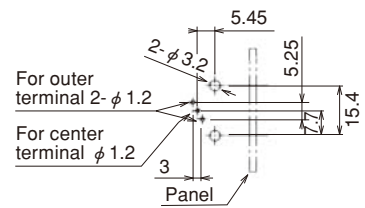
● Board Mounting Type



◆ Mated condition

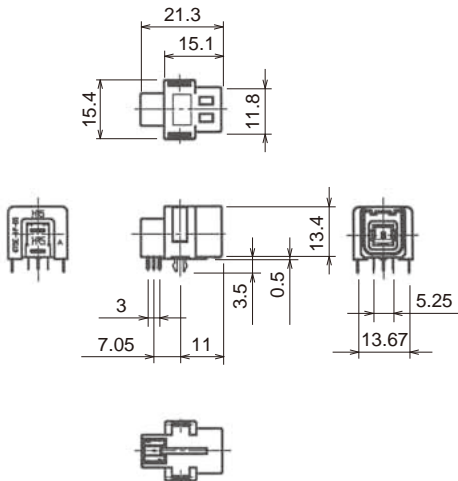


◆ Recommended PCB Mounting Pattern

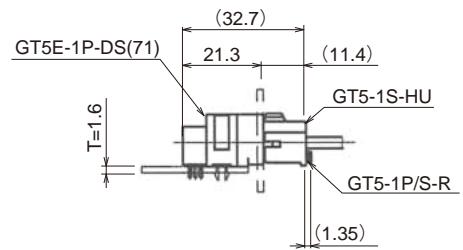


Part No.	HRS No.	Material/Plating or Color	Color	Key polarizing code	Corresponding F Connector Housing	Packaging	RoHS
GT5-1P-DS(70)	755-0007-5 70	Housing: PBT/-	Light Gray	Standard	GT5-1S-HU	1	YES
GT5-1P-DS(A)(70)	755-0041-3 70	Center terminal: Brass/Tin plating	Brown	(A)	GT5-1S-HU(A)		
GT5-1P-DS(B)(70)	755-0042-6 70	Insulator: PBT/Dark Gray	Green	(B)	GT5-1S-HU(B)		
GT5-1P-DS(C)(70)	755-0083-3 70	Outer terminal: Phosphor bronze/Tin plating	Blue	(C)	GT5-1S-HU(C)		

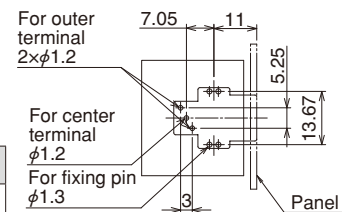
Note 1 : Use JIS B 1115 and 1122 class 4, nominal diameter 3, length 6 screws (for a board thickness of 1.6 mm) for the mounting screws.
 Note 2 : Please use a mating F connector housing of a matching key type.



◆ Mated condition



◆ Recommended PCB Mounting Pattern

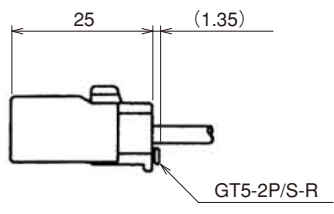
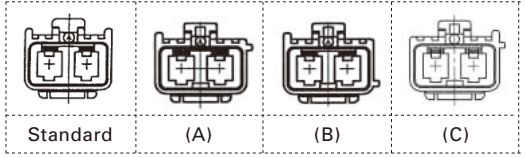
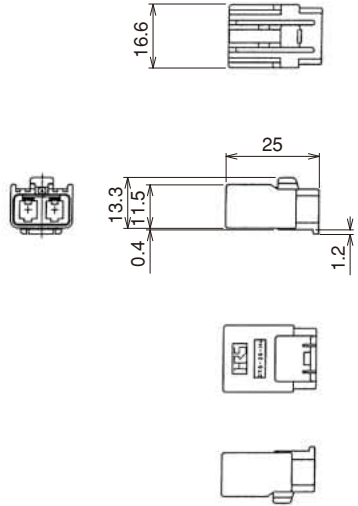
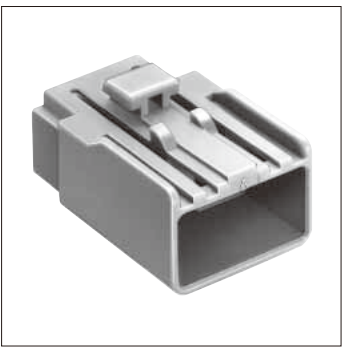


Part No.	HRS No.	Material/Plating or Color	Corresponding F Connector Housing	Packaging	RoHS
GT5EC-1P-DS(71)	755-0125-1 71	Housing: PA/Natural	GT5-1S-HU	1	YES
		Center terminal: Brass/Tin plating Insulator: PA/Black Outer terminal: Phosphor bronze/Tin plating Fixing pin: Brass/Tin plating	GT5R-1S-HU		

1 Pos. for coaxial cable 2 coaxial type

F Connectors

● **Housing**



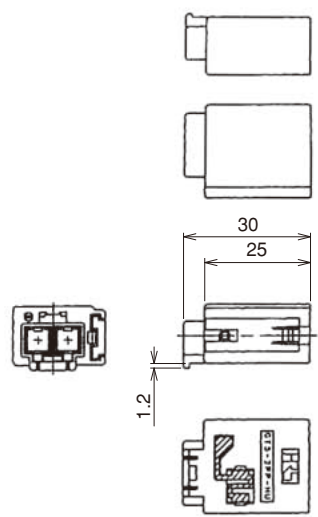
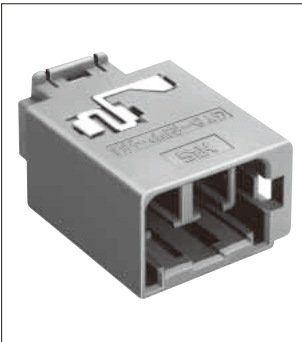
◆ Shown with inserted retainer.

Part No.	HRS No.	Material	Color	Key polarizing code	Packaging	RoHS
GT5-2S-HU	755-0044-1	PBT	Light Gray	Standard	1	YES
GT5-2S-HU(A)	755-0059-9		Brown	(A)		
GT5-2S-HU(B)	755-0060-8		Green	(B)		
GT5-2S-HU(C)	755-0097-8		Blue	(C)		

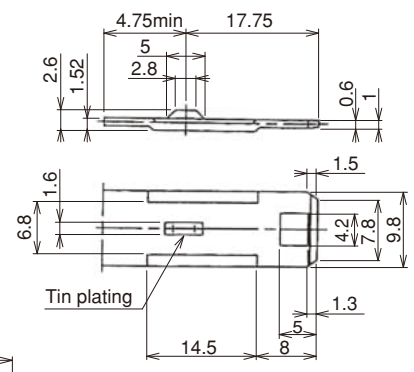
Note 1 : Assemble main parts with separate retainer (GT5-2P/S-R).
 Note 2 : Please use a mating F connector housing of a matching key type.

M Connectors

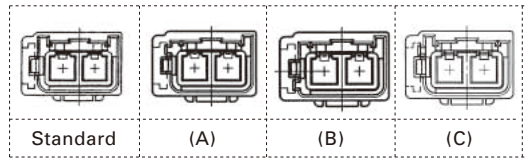
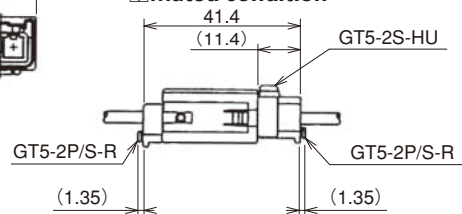
● **Housings[Panel Mounted Housing]**



◆ Recommended Mounting Bracket dimensions.



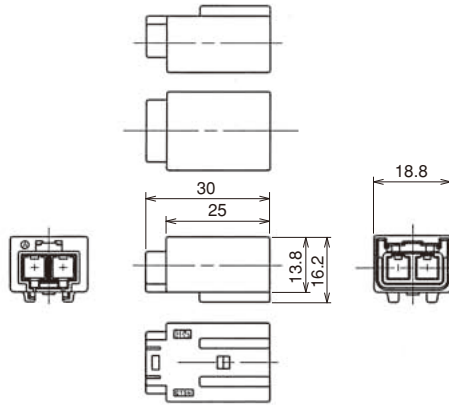
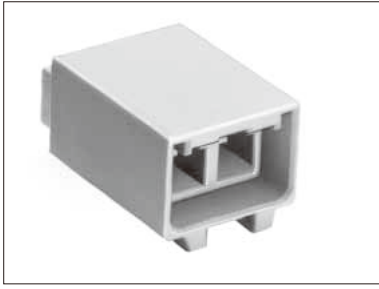
◆ Mated condition



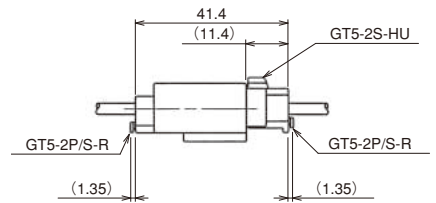
Part No.	HRS No.	Material / Plating	Color	Key polarizing code	Packaging	RoHS
GT5-2PP-HU(70)	755-0045-4 70	Housing : PBT Ground terminal : Phosphor bronze / Tin plating	Light Gray	Standard	1	YES
GT5-2PP-HU(A)(70)	755-0063-6 70		Brown	(A)		
GT5-2PP-HU(B)(70)	755-0064-9 70		Green	(B)		
GT5-2PP-HU(C)(70)	755-0099-3 70		Blue	(C)		

Note 1 : Assemble main parts with separate retainer (GT5-2P/S-R).
 Note 2 : Please use a mating F connector housing of a matching key type.

● Housings



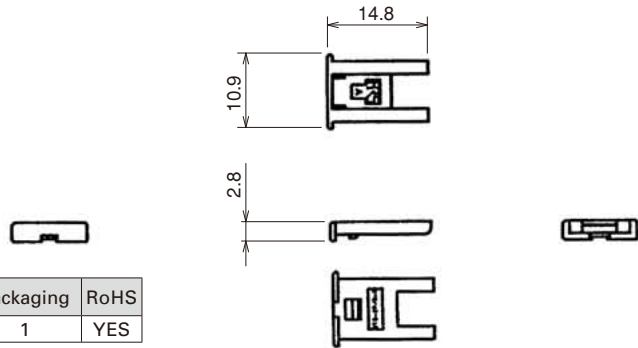
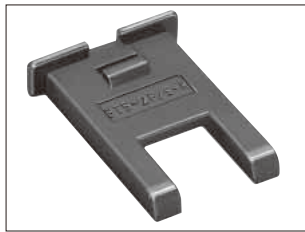
◆ Mated condition



Part No.	HRS No.	Material	Color	Packaging	RoHS
GT5N-2PP-HU	755-0055-8	PBT	Light Gray	1	YES

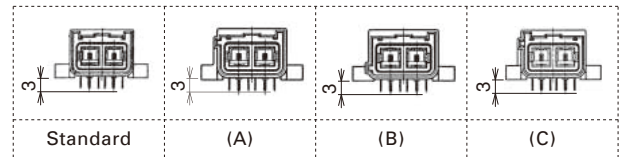
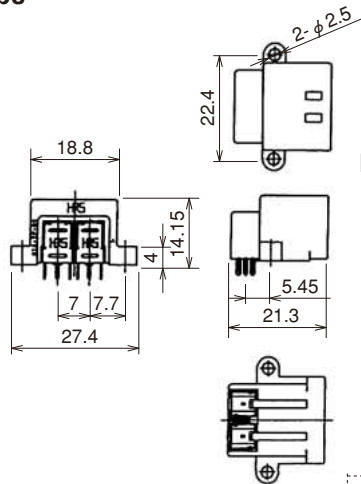
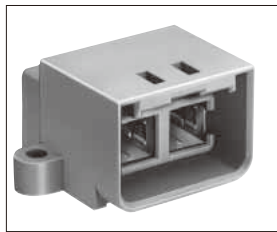
Note : Assemble main parts with separated retainer (GT5-2P/S-R).

● Retainer (Used with GT5-2S-HU, GT5-2PP-HU, and GT5N-2PP-HU)

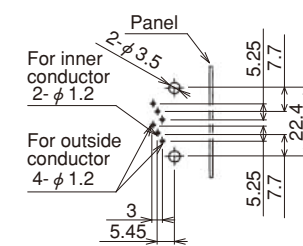


Part No.	HRS No.	Material	Color	Packaging	RoHS
GT5-2P/S-R	755-0046-7	PBT	Dark Gray	1	YES

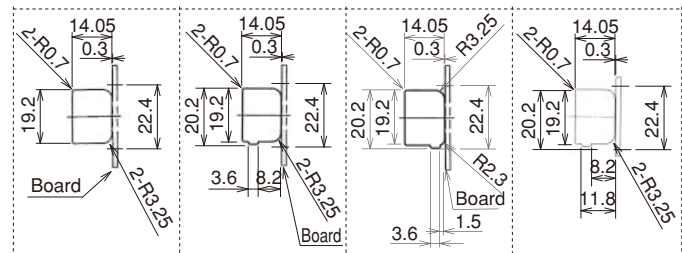
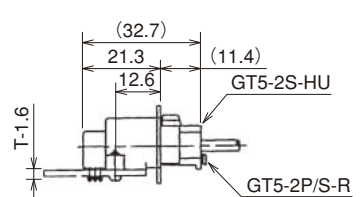
● Board Mounting Type



◆ Recommended Board Mounting Pattern



◆ Mated condition (mounted)



GT5-2P-DS (70) : GT5-2P-DS (A)(70) : GT5-2P-DS (B)(70) : GT5-2P-DS (C)(70)

Recommended Panel Cut-out

Part No.	HRS No.	Material/Plating or Color	Color	Key polarizing code	Packaging	RoHS
GT5-2P-DS(70)	755-0043-9 70	Housing : PBT/—	Light Gray	Standard	1	YES
GT5-2P-DS(A)(70)	755-0061-0 70	Center terminal : Brass/Tin plating	Brown	(A)		
GT5-2P-DS(B)(70)	755-0062-3 70	Insulator : PBT/Dark Gray	Green	(B)		
GT5-2P-DS(C)(70)	755-0101-3 70	Outer terminal : Phosphor bronze/Tin plating	Blue	(C)		

Note 1 : Housing.

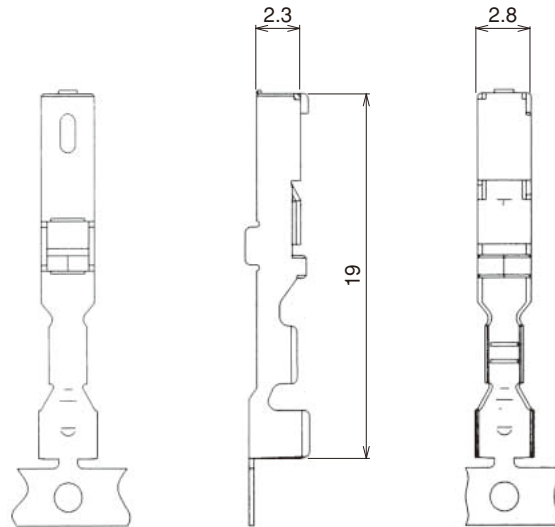
Note 2 : Use JIS B 1115 and 1122 class 4, nominal diameter 3, length 6 screws.

For Antenna

- GT5
- GT13
- GT16
- PO5G
- GT19
- GT21
- GT26
- GT36
- GT11
- GT17
- GT32
- GT3
- GT7
- GT10
- GT18W
- GT25
- GT8E
- GT9
- GT15

Terminals for Power Supply

Terminals for F Connector

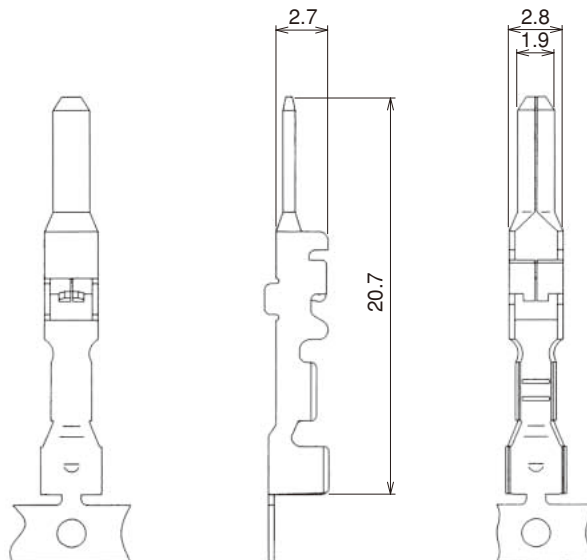


Part No.	HRS No.	Material	Plating	Conductor Size (AWG)	Outer Diameter	Packaging	RoHS
GT7-2022SCF(70)	757-0001-1 70	Copper alloy	Tin plating	20 to 22 AWG	φ1.4 to 2.4	5,000 pcs/reel	YES
GT7A-2022SCF(70)	757-0003-7 70				φ2.6 to 3.1	3,000 pcs/reel	

Note 1 : Sold in reel. (See above table for number of Packaging.)

Note 2 : This component is used only with applicable HRS housings.

Terminals for M Connector



Part No.	HRS No.	Material	Plating	Conductor Size (AWG)	Outer Diameter	Packaging	RoHS
GT7-2022PCF(70)	757-0002-4 70	Brass	Tin plating	20 to 22 AWG	φ1.4 to 2.4	5,000 pcs/reel	YES
GT7A-2022PCF(70)	757-0004-0 70				φ2.6 to 3.1	3,000 pcs/reel	

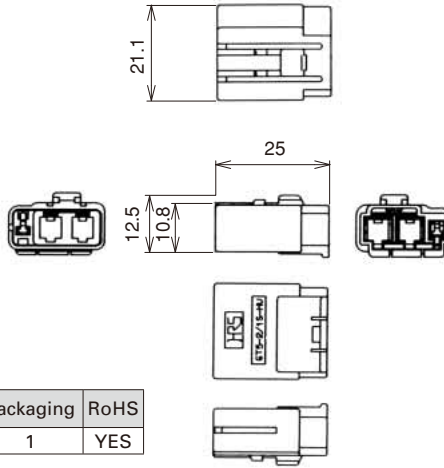
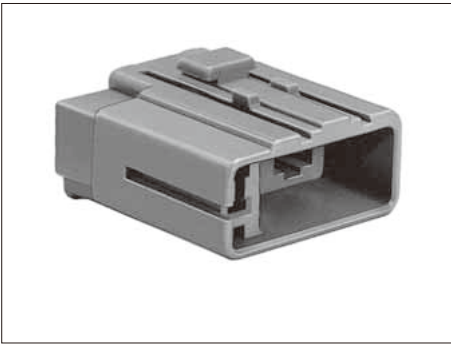
Note 1 : Sold in reel. (See above table for number of Packaging.)

Note 2 : This component is used only with applicable HRS housings.

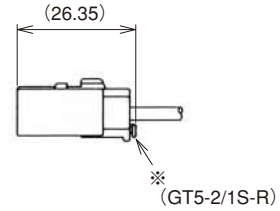
Combinaton Type (2 Coaxials + 1 Power contact)

■ F Connectors

● Housing



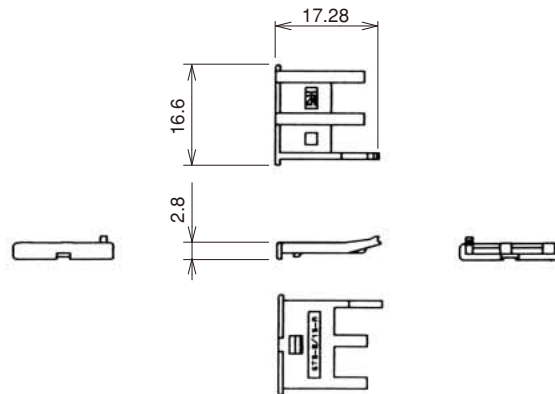
◆Shown with inserted retainer.



*Used with separate retainer (GT5-1P/S-R), which is sold separately.

Part No.	HRS No.	Material	Color	Packaging	RoHS
GT5-2/1S-HU	755-0009-0	PBT	Light Gray	1	YES

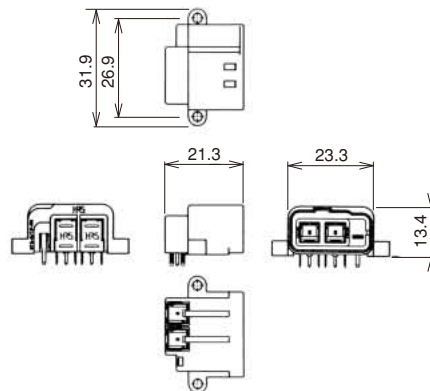
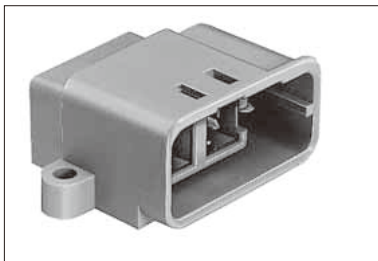
● Retainer (Only for GT5-2/1S-HU)



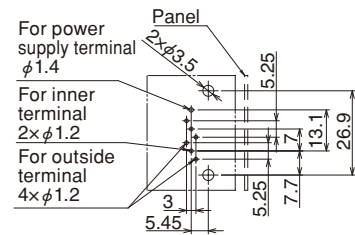
Part No.	HRS No.	Material	Color	Packaging	RoHS
GT5-2/1S-R	755-0003-4	PBT	Dark Gray	1	YES

■ M Connectors

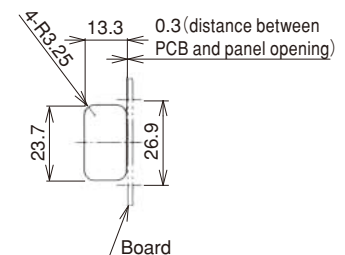
● Board mounting type



◆Recommended Board Mounting Pattern



◆Recommended Panel Cut-out

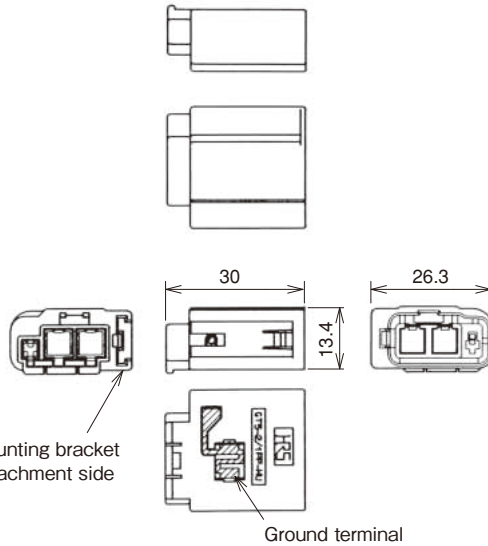


Part No.	HRS No.	Material/Plating or Color	Packaging	RoHS
GT5-2/1P-DS(70)	755-0014-0 70	Housing : PBT/Light Gray Center terminal : Brass/Tin plating Insulator : PBT/Dark Gray Outer terminal : Phosphor bronze/Tin plating For power supply terminal : Brass/Tin plating	1	YES

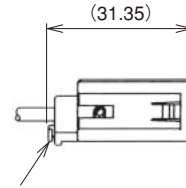
Note : Use JIS B 1115 and 1122 class 4, nominal diameter 3, length 6 screws (for a board thickness of 1.6 mm) for the mounting screws.

M Connectors

● Housing

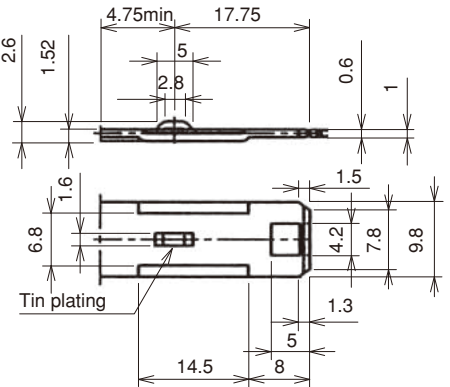


◆ Shown with inserted retainer.



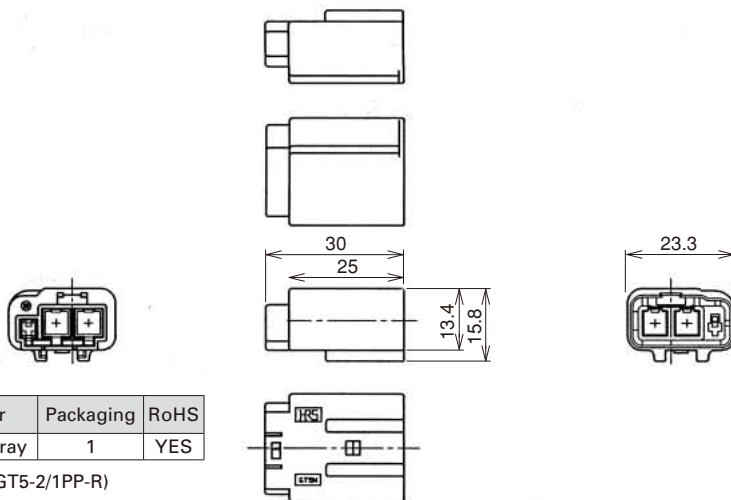
*Used with separate retainer (GT5-1P/S-R), which is sold separately.

◆ Recommended Mounting Bracket Dimensions



Part No.	HRS No.	Material/Plating or Color	Packaging	RoHS
GT5-2/1PP-HU(70)	755-0008-8 70	Housing: PBT/Light Gray Ground terminal: Phosphor bronze / Tin plating	1	YES

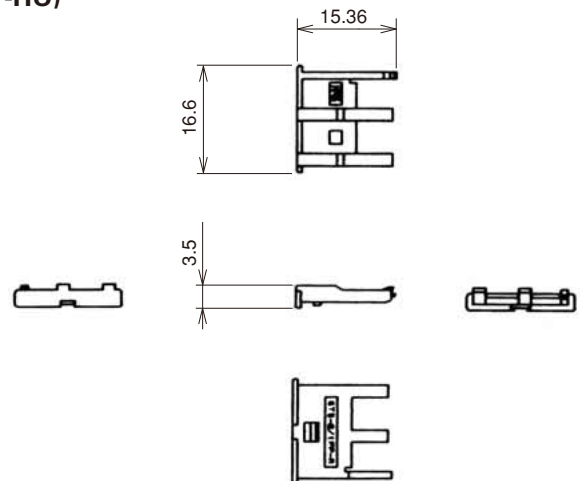
Note : Refer to pages 27 for panel Mounting In-line Bracket.



Part No.	HRS No.	Material	Color	Packaging	RoHS
GT5N-2/1PP-HU	755-0013-8	PBT	Light Gray	1	YES

Note : Assemble main parts with separated retainer. (GT5-2/1PP-R)

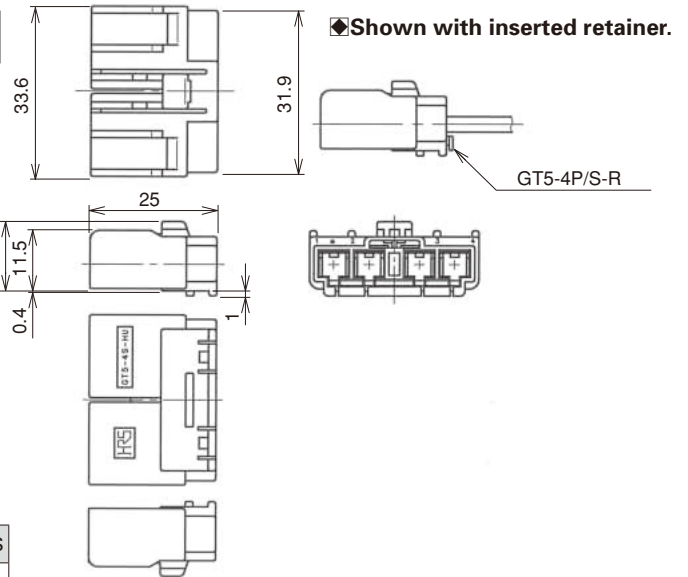
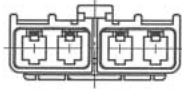
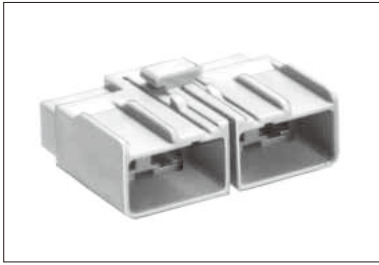
● Retainer (Used with GT5N-2/1PP-HU and GT5-2/1PP-HU)



Part No.	HRS No.	Material	Color	Packaging	RoHS
GT5-2/1PP-R	755-0010-0	PBT	Dark Gray	1	YES

1 Pos. for coaxial cable 4 coaxials type

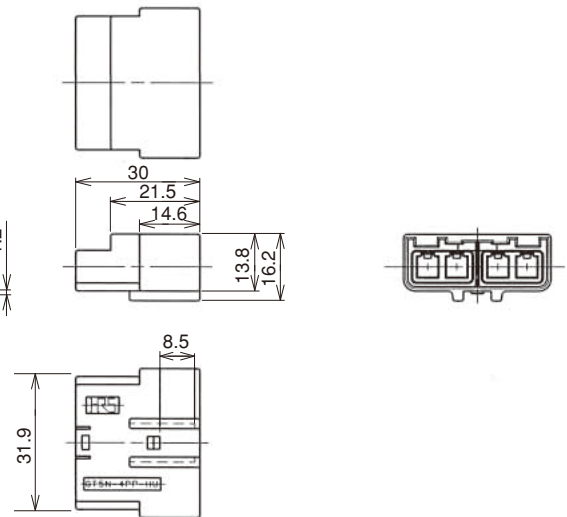
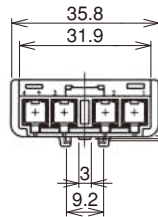
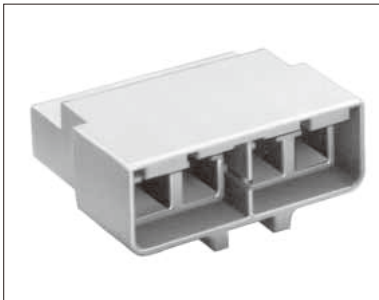
F Connectors



Part No.	HRS No.	Material	Color	Packaging	RoHS
GT5-4S-HU	755-0056-0	PBT	Light Gray	1	YES

Note : Assemble main parts with separated retainer GT5-4P/S-R.

M Connectors

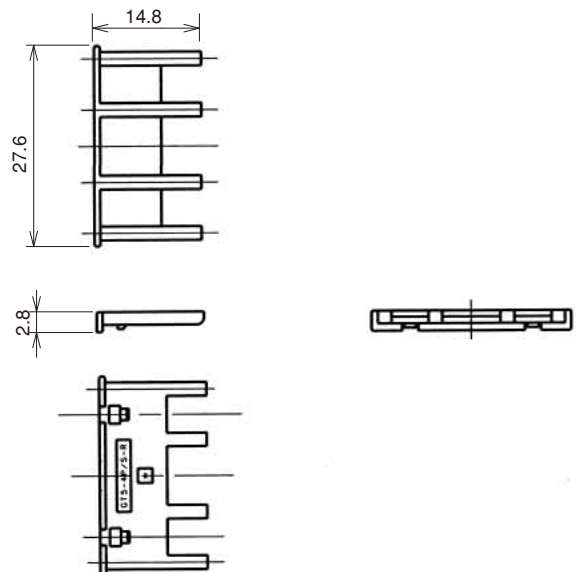
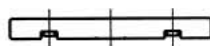
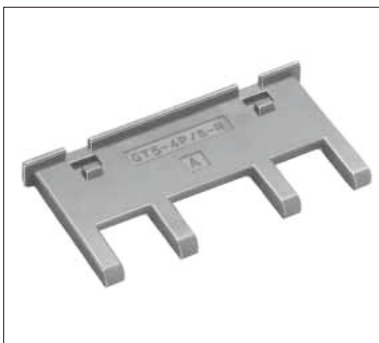


Part No.	HRS No.	Material	Color	Packaging	RoHS
GT5N-4PP-HU	755-0057-3	PBT	Light Gray	1	YES

Note 1 : The product should be used with a low-force insertion/withdrawal M connector terminal.

Note 2 : Assemble main parts with separated retainer GT5-4P/S-R.

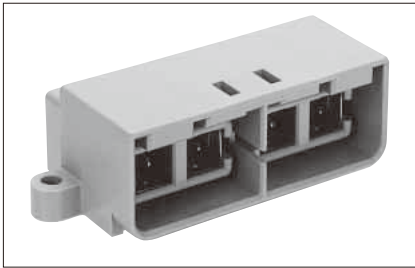
● Retainer (Only for GT5-4S-HU and GT5N-4PP-HU)



Part No.	HRS No.	Material	Color	Packaging	RoHS
GT5-4P/S-R	755-0058-6	PBT	Dark Gray	1	YES

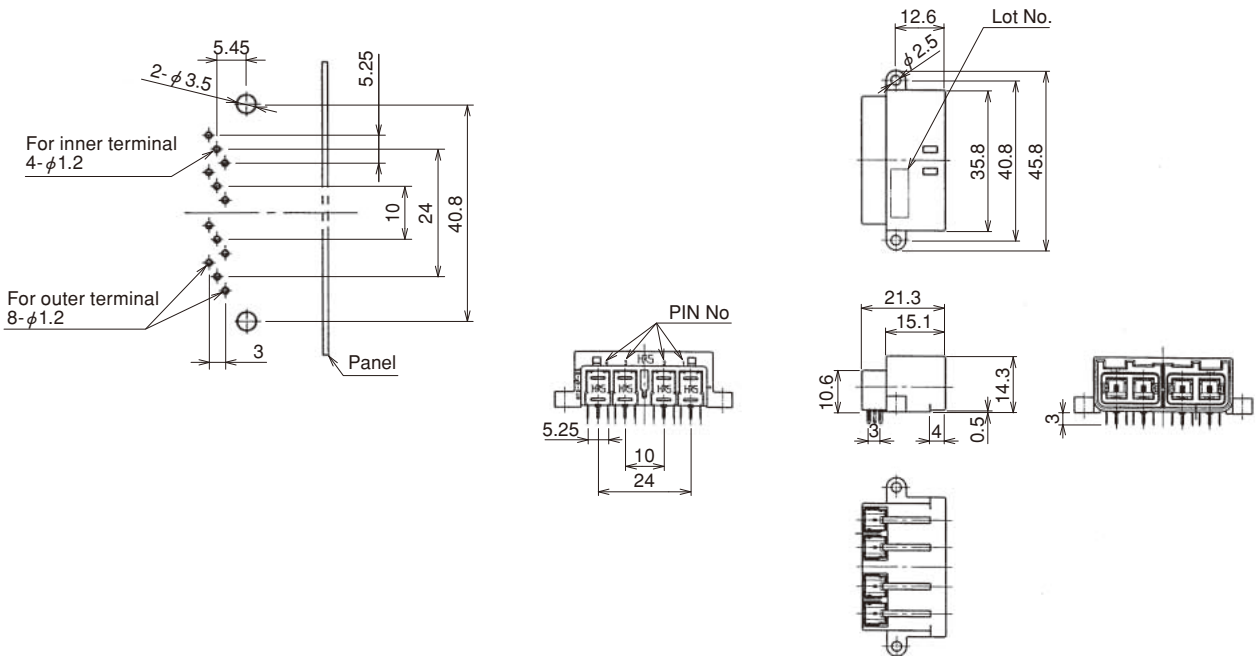
M Connectors

● Board Mounting type

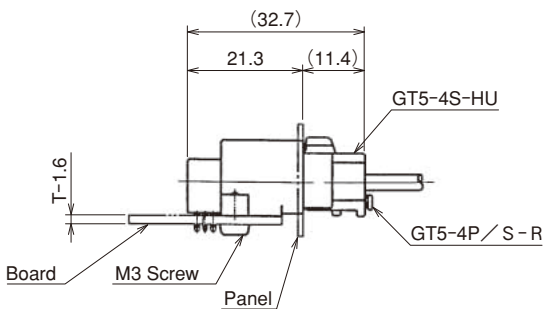


Part No.	HRS No.	Material/Plating or Color	Packaging	RoHS
GT5-4P-DS(70)	755-0087-4 70	Housing : PBT/Light Gray Center terminal : Brass/Tin plating Insulator : PBT/Dark Gray Outer terminal : Phosphor bronze/Tin plating	1	YES

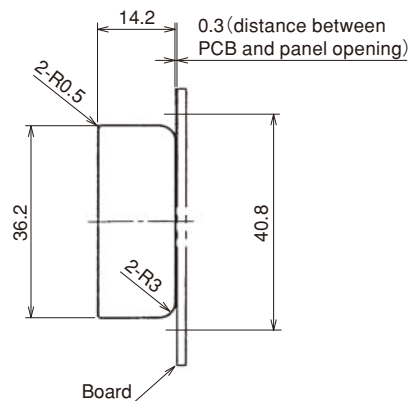
◆ Recommended Board Mounting Pattern



◆ Mated condition (mounted)



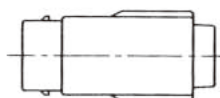
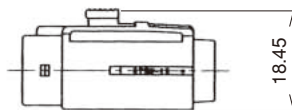
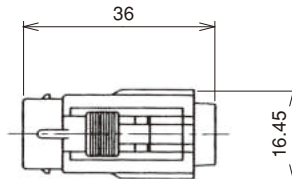
◆ Recommended Panel Cut-out



1Pos. for coaxial cable with Waterproof type

F Connectors

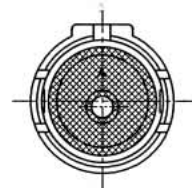
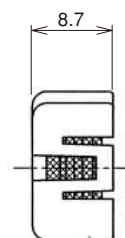
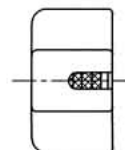
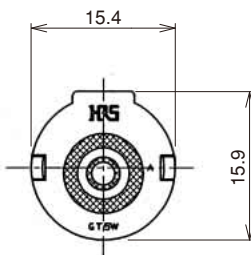
● **Housing**



Part No.	HRS No.	Material	Color	Packaging	RoHS
GT5W-1S-HU	755-0027-2	PBT	Light Gray	1	YES

Note : Use correct retainer.

● **Retainer (Used with GT5W-1PP-HU, GT5JW-1PP-HU, GT5W-1S-HU and GT5W-1P-HU)**



Part No.	HRS No.	Material/Plating or Color	Packaging	RoHS
GT5W-1P/S-R	755-0028-5	Retainer: PBT/Dark Gray Rubber: Silicon rubber Compound/Light Blue	1	YES

Note : Outer diameter of the cable must be within $\phi 2.9$ to $\phi 3.4$ mm.

*Waterproofness will depend on the cable. Please contact a Hirose Electric sales representative for further information when using this product

For Antenna

GT5

GT13

GT16

PO5G

GT19

GT21

GT26

GT36

GT11

GT17

GT32

GT3

GT7

GT10

GT18W

GT25

GT8E

GT9

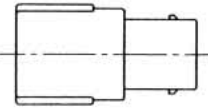
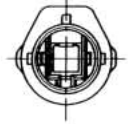
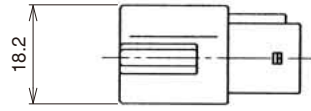
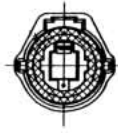
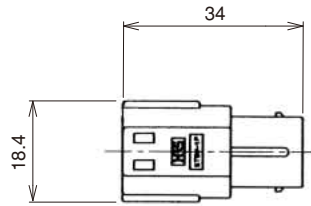
GT15

GT5
GT13
GT16
PO5G
GT19
GT21
GT26
GT36
GT11
GT17
GT32
GT3
GT7
GT10
GT18W
GT25
GT8E
GT9
GT15

For Antenna

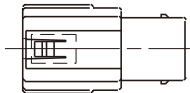
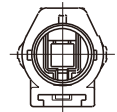
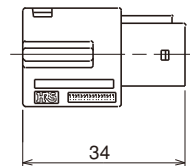
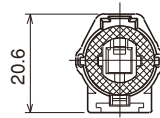
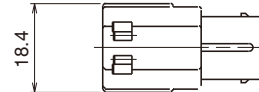
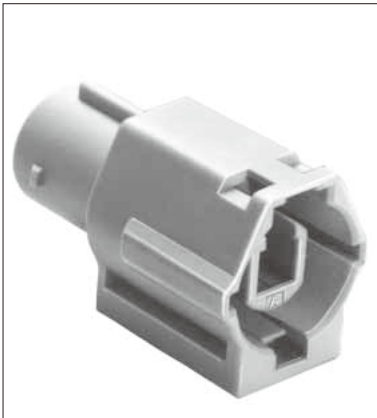
M Connectors

● Housing



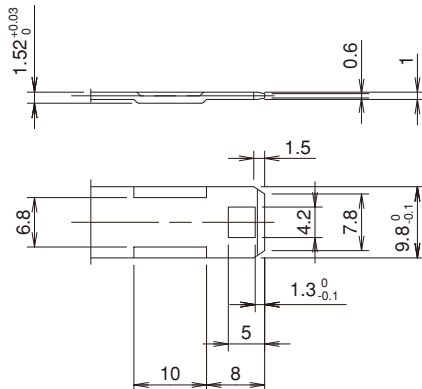
Part No.	HRS No.	Material/Plating or Color	Packaging	RoHS
GT5W-1P-HU	755-0026-0	Housing : PBT/Light Gray Connector seal : Silicon rubber Compound/White	1	YES

Note : Use correct retainer.

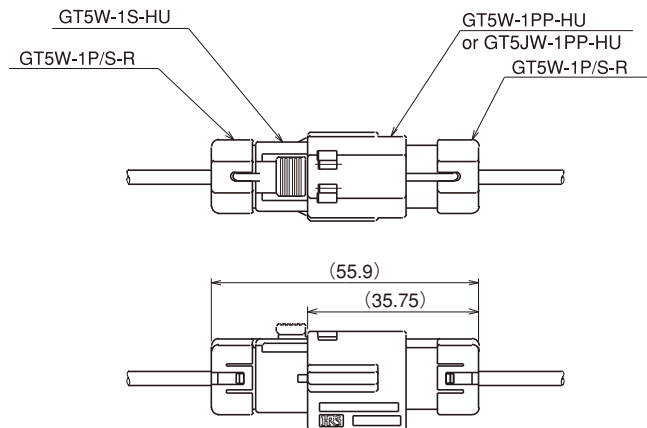


◆Recommended Bracket Dimensions Diagram (Used with GT5W-1PP-HU)

Please check elsewhere for information about the bracket for GT5JW-1PP-HU.



◆Mated condition (mounted)

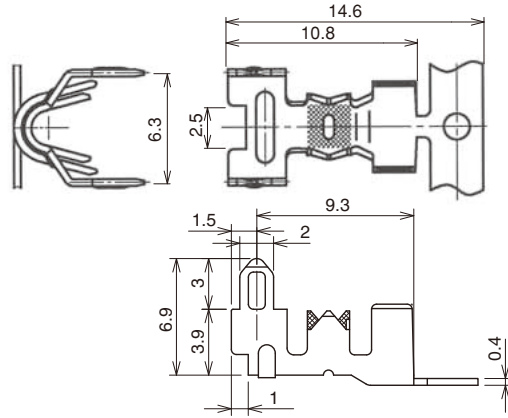
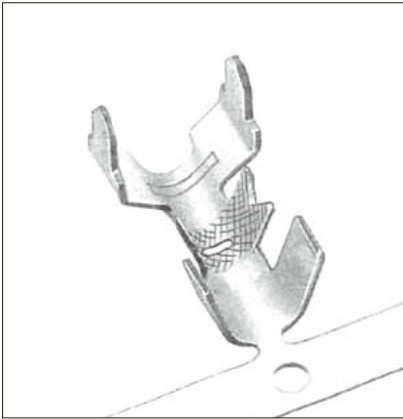


Part No.	HRS No.	Material/Plating or Color	Packaging	RoHS
GT5W-1PP-HU	755-0070-1	Housing : PBT/Light Gray Connector seal : Silicon rubber Compound/White	1	YES
GT5JW-1PP-HU	755-0069-2			

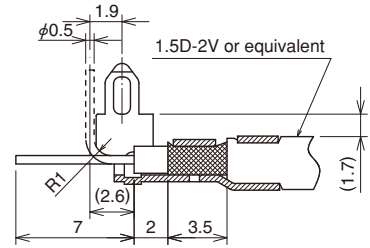
Note : Use correct retainer.

G Terminals

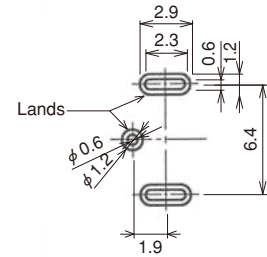
For Direct Coaxial Shielded Cable Termination



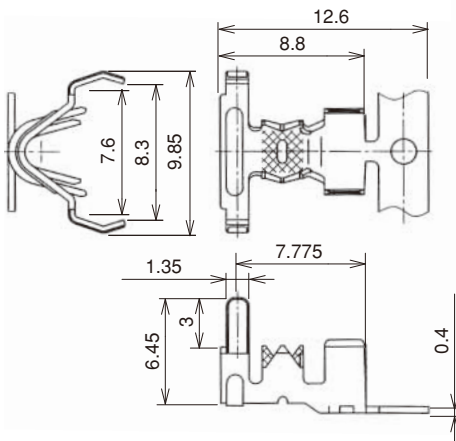
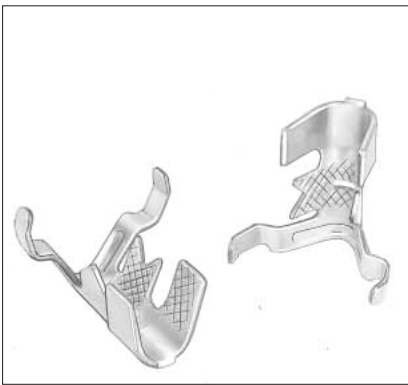
◆Recommended Completed Termination cross section



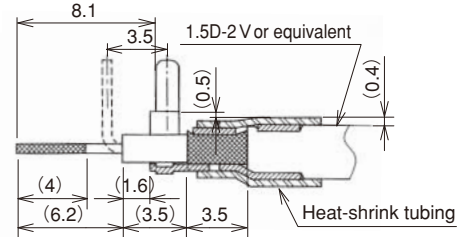
◆Board Termination Pattern



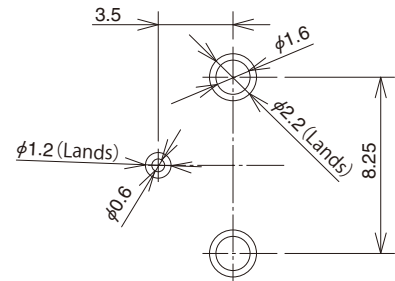
Part No.	HRS No.	Material	Plating	Packaging	RoHS
GTA-1.6CF(70)	755-0032-2 70	Brass	Tin plating	1,500 pcs/reel	YES



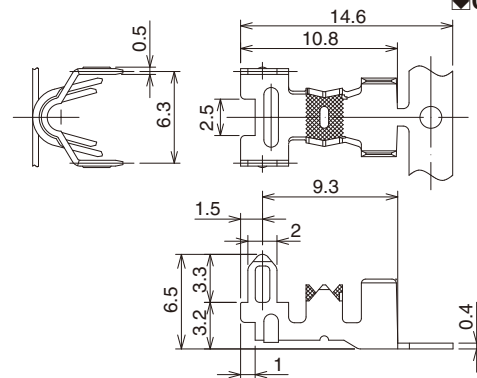
◆Completed Termination cross section



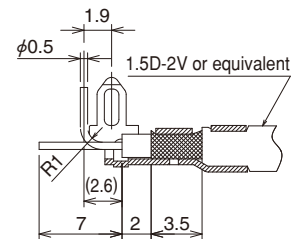
◆Board Termination Pattern



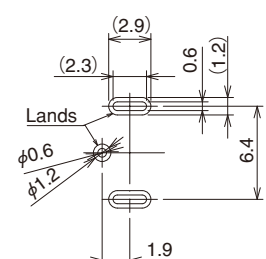
Part No.	HRS No.	Material	Plating	Packaging	RoHS
GTB-1.6CF(70)	755-0049-5 70	Brass	Tin plating	1,500 pcs/reel	YES



◆Completed Termination cross section



◆Board Termination Pattern



Part No.	HRS No.	Material	Plating	Packaging	RoHS
GTC-1.6CF	755-0106-7	Brass	Tin plating	1,500 pcs/reel	YES

Nov. 1. 2020 Copyright 2020 HIROSE ELECTRIC CO., LTD. All Rights Reserved.

For Antenna

GT5

GT13

GT16

PO5G

GT19

GT21

GT26

GT36

GT11

GT17

GT32

GT3

GT7

GT10

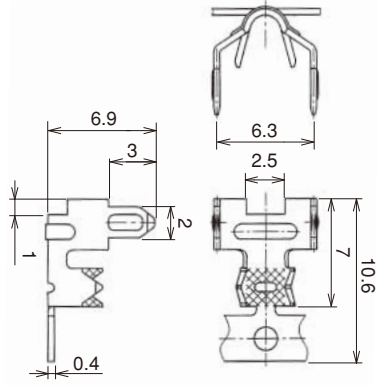
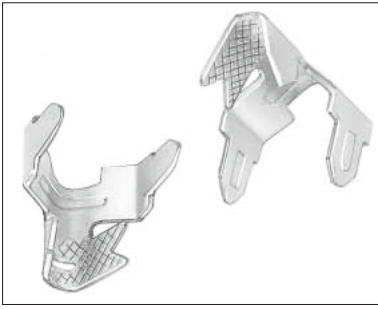
GT18W

GT25

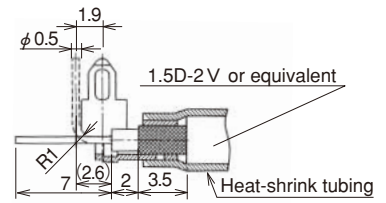
GT8E

GT9

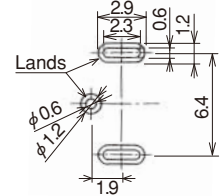
GT15



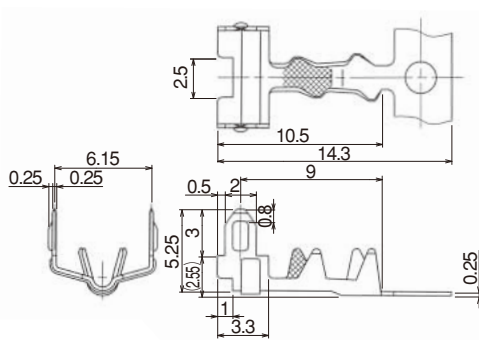
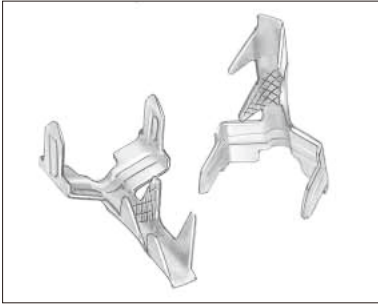
◆Completed Termination cross section



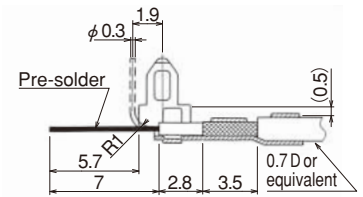
◆Recommended Board Termination Pattern



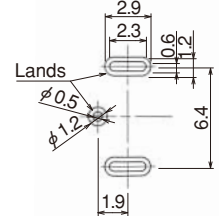
Part No.	HRS No.	Material	Plating	Packaging	RoHS
G-1.6PCF(70)	755-0029-8 70	Brass	Tin plating	1,500 pcs/reel	YES



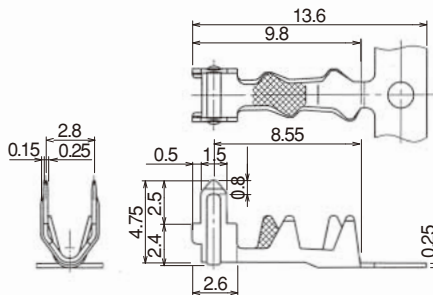
◆Completed Termination cross section



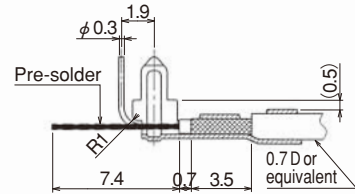
◆Recommended Board Termination Pattern



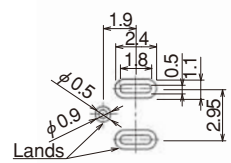
Part No.	HRS No.	Material	Plating	Packaging	RoHS
GTA-0.7CF	755-0074-2	Brass	Tin plating	1,500 pcs/reel	YES



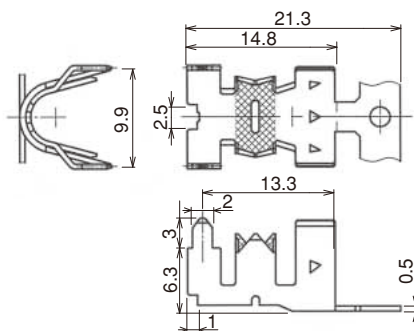
◆Recommended Completed Termination cross section



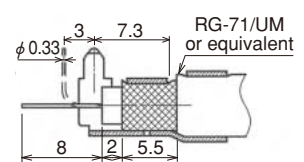
◆Recommended Board Termination Pattern



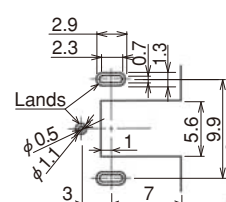
Part No.	HRS No.	Material	Plating	Packaging	RoHS
GTB-0.7CF	755-0075-5	Brass	Tin plating	1,500 pcs/reel	YES



◆Recommended Completed Termination cross section



◆Recommended Board Termination Pattern



Part No.	HRS No.	Material	Plating	Packaging	RoHS
GTE-3.7CF	755-0122-3	Brass	Tin plating	1,100 pcs/reel	YES

GT5

GT13

GT16

PO5G

GT19

GT21

GT26

GT36

GT11

GT17

GT32

GT3

GT7

GT10

GT18W

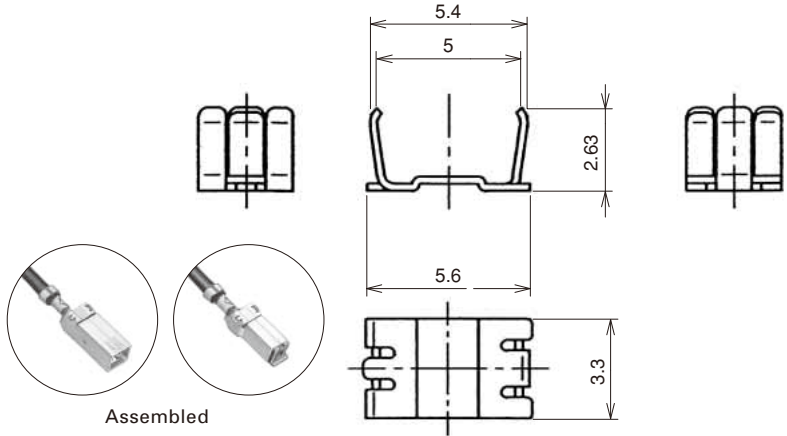
GT25

GT8E

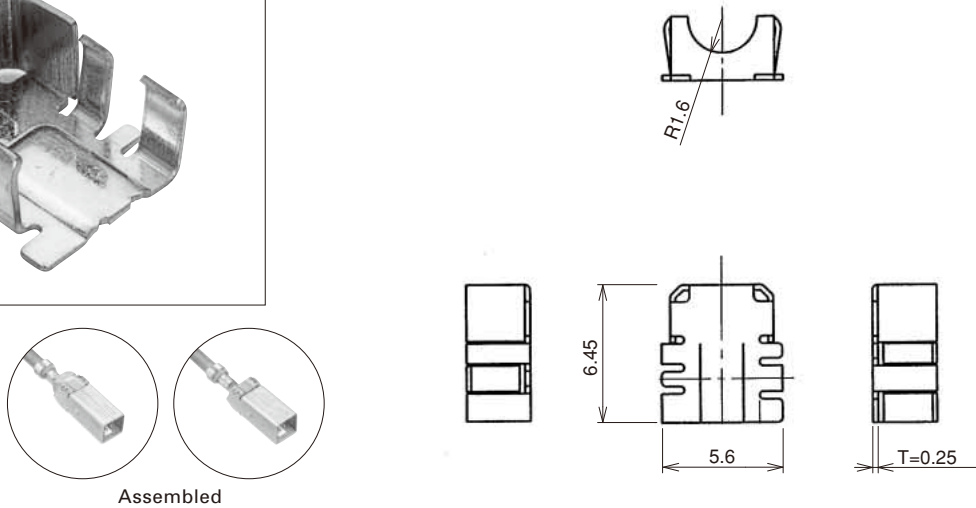
GT9

GT15

Bottom Shield cover

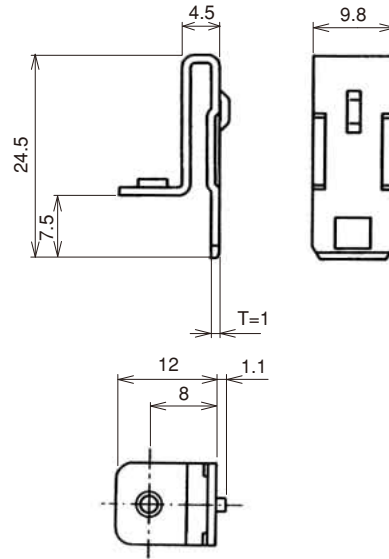


Part No.	HRS No.	Material	Plating	Packaging	RoHS
GT5-1P/S-CSB(70)	755-0048-2 70	Brass	Tin plating	1	YES



Part No.	HRS No.	Material	Plating	Packaging	RoHS
GT5C-1P-CSB(70)	755-0088-7 70	Brass	Tin plating	1	YES

■ Panel Mounting In-line Bracket

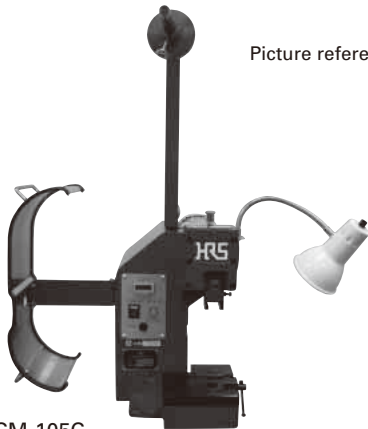


Part No.	HRS No.	Material	Plating	Used with connectors	Packaging	RoHS
GT-BK(70)	751-0039-6 70	SPCC	Tin plating	GT5-1PP-HU(70), GT5-1PP-HU(A)(70), GT5-1PP-HU(B)(70) GT5-1PP-HU(C)(70), GT5-1PP-HU(D)(70) GT5-1PP-HU(E)(70), GT5-1PP-HU(F)(70) GT5-1PP-HU(G)(70), GT5-1PP-HU(H)(70) GT5-2/1PP-HU(70), GT5-2PP-HU(70) GT5-2PP-HU(A)(70), GT5-2PP-HU(B)(70) GT5-2PP-HU(C)(70)	1	YES

◆ Crimping tools

User's manuals are available. Please ask your Hirose Electric account representative.

Automatic crimping machine



Picture reference only

Part No. CM-105C

Specifications

Item	Specification	Remarks
Press capacity	1.5tons	
Stroke length	30mm	
Number of strokes	200spm(50Hz)	200spm(60Hz)
Weight	75kg	
Motor	0.2kW	AC100V
Crimping speed	2000 to 4000pcs/hour	

* Crimp height setting tables are available for each cable type. Please contact your nearest Hirose Electric account representative.
Different cables will require different crimp height settings.

● **Harness tools**

Terminal Product No.	Terminal HRS No.	Tool No.	Tool HRS No.
GT5-30/0.7-1.5PCF(70)	755-0017-9 70	AP105-GT5-30/0.7-1.5P	901-5021-8
GT5-30/0.7-1.5SCF(70)	755-0065-1 70	AP105-GT5-30/0.7-1.5S	901-5080-7
GT5L-2428/1.6-2.5PCF(70)	755-0079-6 70	AP105-GT5-2428/1.6-2.5P	901-5100-2
GT5-2428/1.6-2.5SCF(70)	755-0078-3 70	AP105-GT5-2428/1.6-2.5S	901-5101-5
GT5-30/1.6-2.9PCF(70)	755-0021-6 70	AP105-GT5-30/1.6-2.9P-ID	901-5019-6
		AP105-GT5-30/1.6-2.9P	901-5017-0
GT5-30/1.6-2.9SCF(70)	755-0022-9 70	AP105-GT5-30/1.6-2.9S-ID	901-5020-5
		AP105-GT5-30/1.6-2.9S	901-5018-3
GT5-2428/1.6-2.9PCF(70)	755-0001-9 70	AP105-GT5-2428/1.6-2.9P	901-5029-0
		AP105-GT5-2428/1.6-2.9PWS	901-5031-1
		AP105-GT5-2428/1.6-2.9P-B	901-5103-0
GT5-2428/1.6-2.9SCF(70)	755-0002-1 70	AP105-GT5-2428/1.6-2.9S	901-5030-9
		AP105-GT5-2428/1.6-2.9SWS	901-5032-4
		AP105-GT5-2428/1.6-2.9S-B	901-5104-3
GT5-2022/1.6-2.9SCF(70)	755-0071-4 70	AP105-GT5-2022/1.6-2.9S	901-5088-9
GT5-2022/F2.7-3.5PCF(70)	755-0076-8 70	AP105-GT5-2022/F2.7-3.5P	901-5091-3
GT5-2022/F2.7-3.5SCF(70)	755-0077-0 70	AP105-GT5-2022/F2.7-3.5S	901-5092-6
GT5-2022/F3.3-3.8PCF(70)	755-0053-2 70	AP105-GT5-2022/F3.3-3.8P	901-5075-7
GT5-2022/F3.3-3.8SCF(70)	755-0054-5 70	AP105-GT5-2022/F3.3-3.8S	901-5076-0
GT5-2022/F3.3-5PCF(70)	755-0033-5 70	AP105-GT5-2022/F3.3-5P-ID	901-5058-8
		AP105-GT5-2022/F3.3-5P	901-5059-0
GT5-2022/F3.3-5SCF(70)	755-0034-8 70	AP105-GT5-2022/F3.3-5S-ID	901-5060-0
		AP105-GT5-2022/F3.3-5S	901-5061-2
GT5-30/F4-5PCF(70)	755-0019-4 70	AP105-GT5-30/F4-5P-ID	901-5033-7
GT5-30/F4-5SCF(70)	755-0020-3 70	AP105-GT5-30/F4-5S-ID	901-5034-0
GT5-2428/F4-5PCF(70)	755-0023-1 70	AP105-GT5-2428/F4-5P-ID	901-5035-2
		AP105-GT5-2428/F4-5P-3C2V	901-5056-2
GT5-2428/F4-5SCF(70)	755-0024-4 70	AP105-GT5-2428/F4-5S-ID	901-5036-5
		AP105-GT5-2428/F4-5S-3C2V	901-5057-5
GT5-2022/F4-5PCF(70)	755-0035-0 70	AP105-GT5-2022/F4-5P	901-5052-1
		AP105-GT5-2022/F4-5P-18ID	901-5121-2
GT5-2022/F4-5SCF(70)	755-0036-3 70	AP105-GT5-2022/F4-5S	901-5053-4
		AP105-GT5-2022/F4-5S-18ID	901-5102-8
G-1.6PCF(70)	755-0029-8 70	AP105-G-1.6P	901-5041-5
GTA-0.7CF	755-0074-2	AP105-GTA.B-0.7P	901-5141-0
GTB-0.7CF	755-0075-5	AP105-GTA.B-0.7P	901-5141-0
GTA-1.6CF(70)	755-0032-2 70	AP105-GTA.B-1.6P	901-5047-1
GTB-1.6CF(70)	755-0049-5 70	AP105-GTA.B-1.6P	901-5047-1
GTC-1.6CF	755-0106-7	AP105-GTA.B-1.6P	901-5047-1
GTE-3.7CF	755-0122-3	AP105-GTE-3.7	901-5151-3