

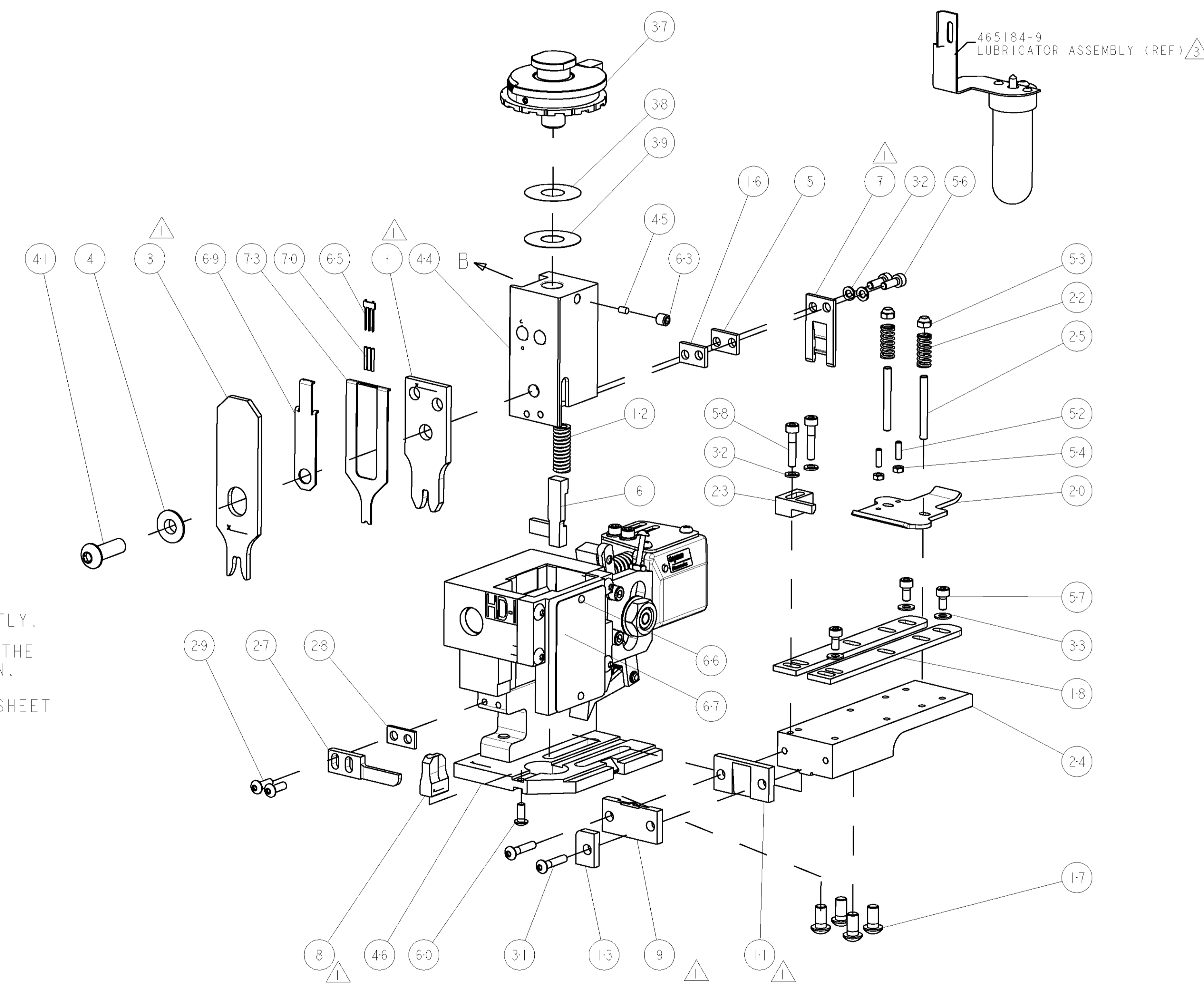
PART NUMBER	REV	TERMINATOR	FEED TYPE	DESCRIPTION
1529263-1	A	BENCH & LEADMAKER	MECH POST FEED	HDI APPLICATOR
7-1529263-1	A	BENCH & LEADMAKER	MECH POST FEED	-1 AND SPARE PARTS
7-1529263-7	A	-	-	SPARE PARTS KIT

SET UP GAGE		LOC	DIST	REVISIONS			
458638-3		A	66	REV	DATE	BY	APPV
				A	SEE ECO-07-030304	Z0DEC2007	LJL MC

CRIMP DATA		TE TERMINAL	TE CRIMP SPECS
TERMINAL NAME: RECEPTACLE .250 SERIES FASTON			
CRIMP	SIZE	TYPE	RANGE
WIRE	3.30 [.130 IN]	F	2.10-5.30mm ² or 14-10 AWG ⁵
INSUL	5.33 [.210 IN]	F	3.80-5.10 [.150-.200 IN]
WIRE STRIP LENGTH 4.80-5.60 [.188-.220 IN]		APPL INSTRUCTIONS 408-8323 & 408-8490	
TERMINAL APPL SPEC	114-3118		FEED 18.80 [.740 IN]

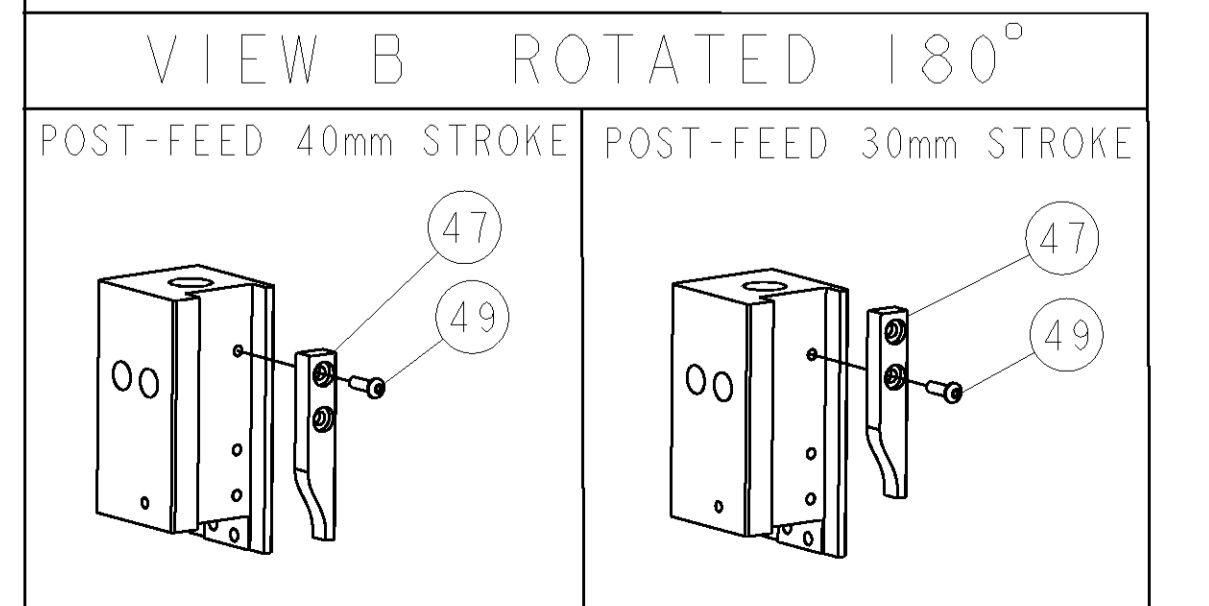
TERMINALS APPLIED			
736026	-	-	-
735211	-	-	-
-	-	-	-
-	-	-	-

WIRE SIZE	CRIMP HEIGHT	REF SETTING
5.30mm ²	2.74 ±0.05 [.108 ±.002 IN]	A 0
4.00mm ²	2.34 ±0.05 [.092 ±.002 IN]	C 9
3.30mm ²	2.23 ±0.05 [.088 ±.002 IN]	D 8
2.10mm ²	1.98 ±0.05 [.078 ±.002 IN]	F 2



- 1. RECOMMENDED SPARE PARTS
- 2. GREASE RAM, CAM, CAM FOLLOWER AND FEED ROD LIGHTLY.
- 3. CERTAIN TERMINALS REQUIRE LUBRICATION. REFER TO THE APPLICATOR INSTRUCTION SHEET FOR MORE INFORMATION.
- 4. LUBRICATE DAILY PER THE APPLICATOR INSTRUCTION SHEET SUPPLIED WITH THE APPLICATOR.
- 5. WIRE RANGE STATED IS THAT OF THE TERMINAL.

*** WARNING**
 ON INSTALLATION, SET WIRE DISC TO LARGEST WIRE SIZE SETTING. USE OF SETTINGS BELOW MIN. REQUIRED CRIMP HEIGHT SETTING WILL CAUSE DAMAGE TO CRIMP TOOLING.



-	1	1	1490525-1	DEPRESSOR, WIRE	73	
-	1	1	1338705-4	DOCUMENTATION PACKAGE	71	
-	3	3	1-23147-4	SPRING, COMPRESSION	70	
-	1	1	1490524-2	DEPRESSOR, SPACER	69	
-	1	1	461264-5	PLATE, IDENTIFICATION	67	
-	2	2	21017-2	SCREW, DRIVE	66	
-	1	1	1424350-1	HOLDER, PIN, WIRED	65	
-	1	1	3-18031-0	SCR, SET, CUP POINT M6 X 6.0	63	
-	1	1	18024-7	SCR, BTN SKT HD CAP (M4 X 10.0)	60	
-	2	2	1-18023-4	SCR, SKT HD CAP M4 X 20.0	58	
-	3	3	1-18023-0	SCR, SKT HD CAP M4 X 8.0	57	
-	2	2	1-18023-2	SCR, SKT HD CAP M4 X 12.0	56	
-	2	2	18029-1	NUT, HEX, REG M3	54	
-	2	2	986965-1	NUT, LOCK, HEX, TORQUE (M4)	53	
-	2	2	2-18032-2	SCR, SET, FLT POINT M3 X 10.0	52	
-	1	1	18024-3	SCR, BTN SKT HD CAP (M3 X 10.0)	49	
-	1	1	1338676-1	CAM, UNIVERSAL POST-FEED	47	
-	1	1	1338662-2	SUB ASSY, APPLICATOR FRAME	46	
-	1	1	690191-1	PLUG, NYLON	45	
-	1	1	1333260-1	RAM	44	
-	1	1	2-18024-6	SCR, BTN SKT HD CAP (M8 X 25.0)	41	
-	1	1	690125-1	SHIM SUB-ASSY	39	
-	1	1	469367-2	SHIM	38	
-	1	1	879103-2	FINE ADJUST HEAD ASSEMBLY	37	
-	3	3	18027-2	WASHER, FLAT, REG M4	33	
-	4	4	18025-2	WASHER, SPRG LOCK, REG M4	32	
-	2	2	1-18024-0	SCR, BTN SKT HD CAP (M4 X 20.0)	31	
-	2	2	18024-8	SCR, BTN SKT HD CAP (M4 X 12.0)	29	
-	1	1	3-690451-2	SPACER, STRIPPER	28	
-	1	1	240639-1	STRIPPER (MACHINING)	27	
-	2	2	1320906-1	STUD, THREADED	25	
-	1	1	1320995-1	PLATE, STRIP GUIDE	24	
-	1	1	240825-8	PLATE, STRIP HOLD DOWN	23	
-	2	2	4-22281-1	SPRING, DRAG	22	
-	1	1	1338665-1	DRAG	20	
-	2	2	1338663-6	GUIDE, LOWER STRIP	18	
-	4	4	1-18024-8	SCR, BTN SKT HD CAP (M6 X 12.0)	17	
-	1	1	1338708-1	SPACER, SLUG BLADE	16	
-	1	1	2-690481-0	SPACER, HOLD DOWN	13	
-	1	1	23846-1	SPRING, DIE	12	
-	1	1	240644-9	PLATE, REAR SHEAR	11	
-	-	-	-	-	10	
-	1	1	2-690495-5	PLATE, FRONT SHEAR	9	
-	1	2	2-1633384-9	ANVIL, COMBINATION	8	
-	1	1	690474-8	BLADE, SLUG	7	
-	1	1	2-455892-7	HOLD DOWN, TERMINAL	6	
-	1	1	8-240641-6	SPACER	5	
-	1	1	238009-1	BLOCK, FL CRIMPER SPACER	4	
-	1	2	6-683453-8	CRIMPER, INSULATION PREMIUM	3	
-	-	-	-	-	2	
-	1	2	456410-3	CRIMPER, WIRE PREMIUM	1	
-	77	71	-1	PART NO	DESCRIPTION	ITEM NO

DIMENSIONS: INCHES		TOLERANCES UNLESS OTHERWISE SPECIFIED:		DWN L LOFTHOUSE		DATE 26NOV2007		CHK	
9 PLC	±	9 PLC	±	9 PLC	±	9 PLC	±	9 PLC	±
1 PLC	±0.1	1 PLC	±0.01	1 PLC	±0.01	1 PLC	±0.01	1 PLC	±0.01
3 PLC	±0.001	3 PLC	±0.001	3 PLC	±0.001	3 PLC	±0.001	3 PLC	±0.001
4 PLC	±0.0001	4 PLC	±0.0001	4 PLC	±0.0001	4 PLC	±0.0001	4 PLC	±0.0001
ANGLES		±		APPLD M CLIFFORD		DATE 26NOV2007		NAME	
				PRODUCT SPEC		APPLICATION SPEC		FINE ADJUST END FEED HDI APPLICATOR	
MATERIAL		FINISH		WEIGHT		SCALE		SHEET 1 OF 1	
				CUSTOMER DRAWING		SCALE 3:5		REV A	

Mouser Electronics

Authorized Distributor

Click to View Pricing, Inventory, Delivery & Lifecycle Information:

[TE Connectivity:](#)

[1529263-1](#)