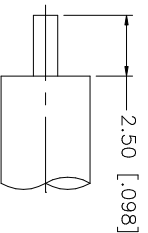
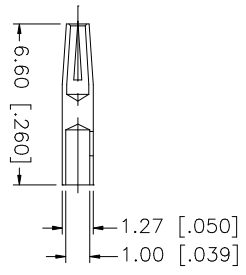
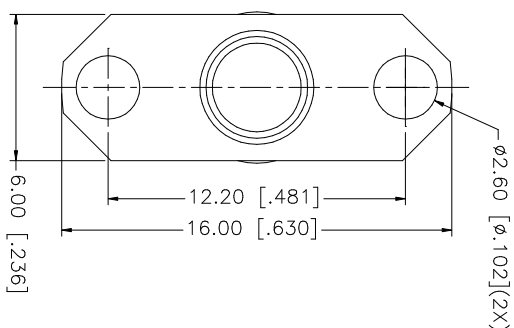
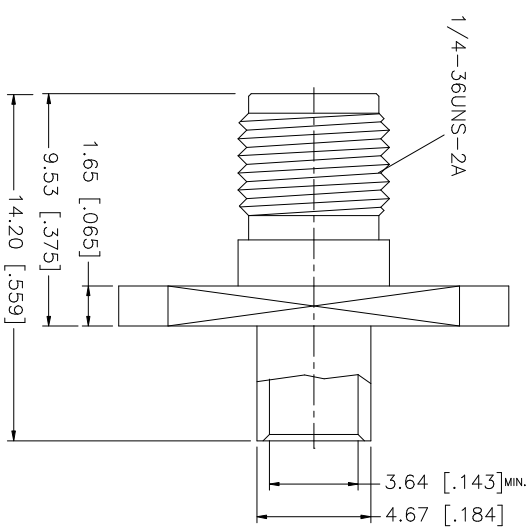
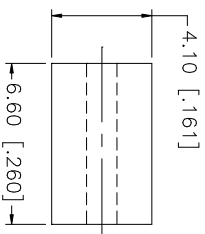


REV.	DATE	DESCRIPTION
NC	02/24/03	INITIAL RELEASE



RECOMMENDED CABLE STRIPPING DIMS.



NOTE: CONTACT PIN TO SOLDER

8																			
7																			
6																			
5																			
4																			
3	CONTACT PIN	BER. COPPER	GOLD	1															
2	INSULATOR	TEFLON	NATURAL	1															
1	BODY	BRASS	GOLD	1															
	DESCRIPTION	MATERIAL	FINISH	QTY															
					UNLESS OTHERWISE SPECIFIED DIMENSIONS ARE IN MILLIMETERS. DIMENSIONS IN [] ARE IN INCHES AND FOR CUSTOMER REFERENCE ONLY. TOLERANCES FOR MILLIMETERS ARE: 0.5 - 8mm ± 0.20mm 8 - 30mm ± 0.40mm 30 - 120mm ± 0.50mm UNLESS OTHERWISE SPECIFIED TOLERANCES FOR INCHES ARE: .020 - .315 = ± 0.007" .315 - 1.180 = ± 0.015" 1.180 - 4.724 = ± 0.020"					APPROVALS DRAWN G.R.S. DATE 02/24/03 CHECKED ISSUED SHEET 1 OF 1					CAD FILE C:/132/132110.DWG DWG NO. 132110.DWG REV. NC SIZE A SCALE NA				
Amphenol Connex SMA DIRECT SOLDER PANEL JACK (FOR .141" SEMI-RIGID CABLE) 132110																			

Mouser Electronics

Authorized Distributor

Click to View Pricing, Inventory, Delivery & Lifecycle Information:

[Amphenol:](#)

[132110](#)