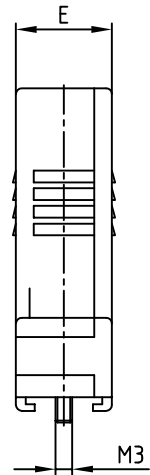
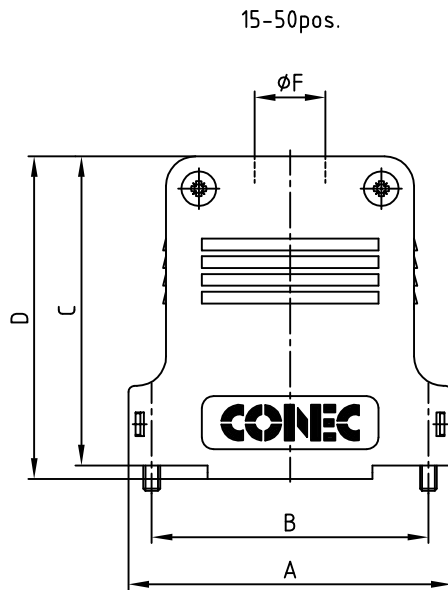
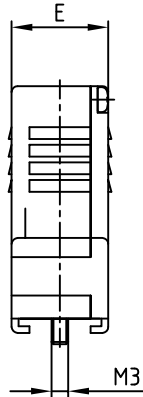
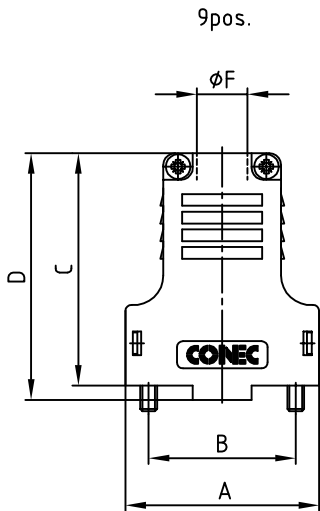


used for: D-SUB



No. of pos.	A	B	C	D	E	ϕF	Part-NO. Single package	Part-NO. Bulk package
9	32.9	25.0	39.5	41.8	16.3	11.0	165X14609XE	165X14609X
15	41.2	33.3	45.5	47.8	16.3	11.0	165X14619XE	165X14619X
25	54.9	47.0	52.5	54.8	16.3	12.0	165X14629XE	165X14629X
37	71.4	63.5	55.0	57.8	18.7	15.0	165X14639XE	165X14639X
50	69.0	61.1	55.0	57.8	19.5	14.0	165X14649XE	165X14649X

(b)

HOOD ASSEMBLY CONSISTS OF:

- 1 x HOOD + COVER: ABS UL 94 V-0; METALLIZED
- 1 x PRESS INSERT: ABS UL 94 V-0; METALLIZED
- 2 x JACKSCREWS: BRASS; NICKEL PLATED
- 2 x SCREW FOR STRAIN RELIEF: STEEL; NICKEL PLATED
- 2 x COVER SCREWS: STEEL; NICKEL PLATED
- 1 x STRAIN RELIEF: STEEL; NICKEL PLATED

(b) Directive 2002/95/EC RoHS compliant

TECHNICAL DATA:

- TEMPERATURE RANGE: -35°C to +90°C (b)

APPROVAL * FREIGABE * DEBLOCAGE * AUTORIZACION * APPROVAL

CUSTOMER APPROVAL DATE:

NAME: TITLE:

COMPANY NAME:

APPROVAL * FREIGABE * DEBLOCAGE * AUTORIZACION * APPROVAL

THIS DRAWING MAY NOT BE COPIED OR REPRODUCED IN ANY WAY, AND MAY NOT BE PASSED ON TO A THIRD PARTY, WITHOUT WRITTEN PERMISSION. OWNERSHIP AND COPYRIGHT OF CONEC GmbH DO NOT ALTER CAD DRAWING BY HAND

rev.	description	date	name
3 x b	Ä5307	25.08.2014	E.Mick.
a	Origin		

tolerance	dim. in mm
2008	date
drawn	21.01. Lehmenkühler
appd.	21.01. Kühle
norm	
d-old	

scale: 1:1

material: SEE DRAWING

title: PLASTIC HOOD 9-50pos. with straight cable exit and short screw M3

dwg no: AutoCAD 2006 DIN-A 3 sh: 1/1

part no: SEE TABLE

16K1A2231



Mouser Electronics

Authorized Distributor

Click to View Pricing, Inventory, Delivery & Lifecycle Information:

[CONEC:](#)

[165X14609X](#)