

| REVISIONS | | DATE | BY | APPV |
|-----------|-----------------------------|-----------|-----|------|
| C5 | DETAILS SEE PEN E-16-006710 | 09MAY2006 | MAH | DLIC |
| C6 | DETAILS SEE PEN E-17-013146 | 30MAY2007 | HO | DLIC |
| C7 | DETAILS SEE PEN E-17-017363 | 19DEC2007 | MAH | DLIC |
| C8 | DETAILS SEE PEN E-18-001456 | 29JAN2018 | MAH | DLIC |

| GROUP Gruppe | A 114-18743-1 | | | B 114-18739-1 | | C 114-18740-1 | | | | |
|-------------------------------------|---|---|---|---|---|---|---|---|---|---|
| INTERFACE Schnittstelle | | | | | | | | | | |
| PICTURE Abbildung | | | | | | | | | | |
| NUMBER OF POLES / Polzahl | 2POS. / 2pot. | 3POS. / 3pot. | 2POS. / 2pot. | 4POS. / 4pot. | 6POS. / 6pot. | 6POS. / 6pot. | 8POS. / 8pot. | 7POS. / 7pot. | 2POS. / 2pot. | 2POS. / 2pot. |
| CONTACT SYSTEM / Kontaktsystem | AMP MCP2.8 | AMP MCP1.5k | AMP MCP1.5k | AMP MCP2.8 | AMP MCP1.5k | AMP MCP2.8 | AMP MCP1.5k | AMP MCP1.5k/2.8 MIX | AMP MCP 6.3/4.8k | AMP MCP 6.3/4.8k |
| TE PART NUMBER (BASIC) | PN: 1418483 | PN: 1418448 | PN: X-1418448-2 | PN: 1418390 | PN: 1418469 | PN: 1418437 | PN: 1418479 | PN: 1418480 | PN: 1564542 | PN: 1564542 |
| TE Bestellnummer (Basis) | | | | | | | | | | |
| CONTACT DRAWING SEALED | 1355036 WIRE SIZE: MAX. 2.5mm ² | 1241436 WIRE SIZE: MAX. 1.5mm ² | 1241436 WIRE SIZE: MAX. 1.5mm ² | 1355036 WIRE SIZE: MAX. 2.5mm ² | 1241436 WIRE SIZE: MAX. 1.5mm ² | 1355036 WIRE SIZE: MAX. 2.5mm ² | 1241436 WIRE SIZE: MAX. 1.5mm ² | 1355036 WIRE SIZE: MAX. 2.5mm ² | 1241436 WIRE SIZE: MAX. 6.0mm ² | 1241436 WIRE SIZE: MAX. 6.0mm ² |
| Kontaktzeichnung gedichtet | | | | | | | | | | |
| PICTURE Abbildung | | | | | | | | | | |
| NUMBER OF POLES / Polzahl | 2 POS. / 2pot. | 3 POS. / 3pot. | 2 POS. / 2pot. | 4 POS. / 4pot. | 6 POS. / 6pot. | 6POS. / 6pot. | 8 POS. / 8pot. | 7 POS. / 7pot. | 2 POS. / 2pot. | 2 POS. / 2pot. |
| TAB SIZE / TAB Groesse | 2.8mm x 0.8mm | 1.6mm x 0.6mm | 1.6mm x 0.6mm | 2.8mm x 0.8mm | 1.6mm x 0.6mm | 2.8mm x 0.8mm | 1.6mm x 0.6mm | 1.6mm x 0.6mm 2.8mm x 0.8mm | 5.8mm x 0.8mm | 5.8mm x 0.8mm |
| TE PART NUMBER (BASIC) | PN: 1703841 | PN: 1703843 | PN: TBD | PN: 1703808 | PN: 1703820 | PN: TBD | PN: 1564416 | PN: 1670214 | PN: 1564546 | PN: 1564546 |
| TE Bestellnummer (Basis) | | | | | | | | | | |
| PRODUCT FEATURES Produktmerkmal | HOUSING WITH FLANGE Flanschgehäuse | HOUSING WITH FLANGE Flanschgehäuse | HOUSING WITH FLANGE Flanschgehäuse | HOUSING WITH FLANGE Flanschgehäuse | HOUSING WITH FLANGE Flanschgehäuse | HOUSING WITH FLANGE Flanschgehäuse | HOUSING WITH FLANGE Flanschgehäuse | HOUSING WITH FLANGE Flanschgehäuse | HOUSING WITH FLANGE Flanschgehäuse | HOUSING WITH FLANGE Flanschgehäuse |
| CONTACT DRAWING SEALED | 1355052 WIRE SIZE: MAX. 2.5mm ² | 1355055 WIRE SIZE: MAX. 1.5mm ² | 1355055 WIRE SIZE: MAX. 1.5mm ² | 1355052 WIRE SIZE: MAX. 2.5mm ² | 1355055 WIRE SIZE: MAX. 1.5mm ² | 1355052 WIRE SIZE: MAX. 2.5mm ² | 1355055 WIRE SIZE: MAX. 1.5mm ² | 1355055 WIRE SIZE: MAX. 1.5mm ² | 1241895 WIRE SIZE: MAX. 6.0mm ² | 1241895 WIRE SIZE: MAX. 6.0mm ² |
| Kontaktzeichnung gedichtet | | | | | | | | | | |
| PICTURE Abbildung | | | | | | | | | | |
| NUMBER OF POLES / Polzahl | 2 POS. / 2pot. | 3 POS. / 3pot. | 2 POS. / 2pot. | 4 POS. / 4pot. | 6 POS. / 6pot. | 6POS. / 6pot. | 8 POS. / 8pot. | 7 POS. / 7pot. | 2 POS. / 2pot. | 2 POS. / 2pot. |
| TAB SIZE / TAB Groesse | 2.8mm x 0.8mm | 1.6mm x 0.6mm | 1.6mm x 0.6mm | 2.8mm x 0.8mm | 1.6mm x 0.6mm | 2.8mm x 0.8mm | 1.6mm x 0.6mm | 1.6mm x 0.6mm 2.8mm x 0.8mm | 5.8mm x 0.8mm | 5.8mm x 0.8mm |
| TE PART NUMBER (BASIC) | PN: 1703839 | PN: 1670730 | PN: TBD | PN: 1703818 | PN: 1703773 | PN: TBD | PN: 1564512 | PN: 1703648 | PN: 1564544 | PN: 1564544 |
| TE Bestellnummer (Basis) | | | | | | | | | | |
| PRODUCT FEATURES Produktmerkmal | - | - | - | - | - | - | - | - | - | - |
| CONTACT DRAWING Kontaktzeichnung | 1355052 WIRE SIZE: MAX. 2.5mm ² | 1355055 WIRE SIZE: MAX. 1.5mm ² | 1355055 WIRE SIZE: MAX. 1.5mm ² | 1355052 WIRE SIZE: MAX. 2.5mm ² | 1355055 WIRE SIZE: MAX. 1.5mm ² | 1355052 WIRE SIZE: MAX. 2.5mm ² | 1355055 WIRE SIZE: MAX. 1.5mm ² | 1355055 WIRE SIZE: MAX. 1.5mm ² | 1241895 WIRE SIZE: MAX. 6.0mm ² | 1241895 WIRE SIZE: MAX. 6.0mm ² |
| Kontaktzeichnung gedichtet | | | | | | | | | | |

WAS EGATN05327-0011
War

ACCESSORIES SEE PAGE 3
Zubehoer siehe Seite 3

THIS DRAWING IS NOT SUBJECT TO CONSTANT CHANGING SERVICE AND DOES NOT LAY CLAIM TO BE COMPLETE. FOR DEFINITE SPECIFICATION SEE RESPECTIVE TE CUSTOMER DRAWINGS. FURTHER VERSIONS ON INQUIRY.

Diese Zeichnung unterliegt nicht dem ständigen Änderungsdienst und erhebt keinen Anspruch auf Vollständigkeit. Verbindliche Angaben sind der jeweiligen TE-Kundenzeichnung zu entnehmen. Weitere Ausführungen auf Anfrage.

| | | | |
|--|---|--|---|
| <p>THIS DRAWING IS A CONTROLLED DOCUMENT.</p> <p>REVISIONS</p> <p>DATE</p> <p>BY</p> <p>APPV</p> | <p>07DEC2007</p> <p>07DEC2007</p> <p>08DEC2007</p> <p>08DEC2007</p> | <p>U. Bischoff</p> <p>J. Granzow</p> <p>J. Edzwang</p> <p>J. Edzwang</p> | <p>TE Connectivity</p> <p>PRODUCT GROUP DRAWING, HDSCS Produktgruppenzeichnung HDSCS (Heavy Duty Sealed Connector Series)</p> |
| <p>MATERIAL</p> <p>FINISH</p> | <p>SCALE</p> <p>1:1</p> | <p>SHEET</p> <p>1</p> | <p>DATE</p> <p>00779</p> |

CUSTOMER DRAWING

| REV. NO. | DESCRIPTION | DATE | BY | APP. |
|----------|-------------|------|----|------|
| 1 | SEE SHEET 1 | - | - | - |

WAS EGATN05327-0011
War

| GROUP Gruppe | D 114-18807-1 | | | | E 114-18799-1 | | | | | | | | |
|--|---|---|--|--|---|---|--|--|--|--|--|--|--|
| INTERFACE Schnittstelle | | | | | | | | | | | | | |
| PICTURE Abbildung | | | | | | | | | | | | | |
| NUMBER OF POLES / Polzahl | 8 POS. / 8pol. | 12 POS. / 12pol. | 10 POS. / 10pol. | 4 POS. / 4pol. | 12 POS. / 12pol. | 18 POS. / 18pol. | 16 POS. / 16pol. | 15 POS. / 15pol. | 4 POS. / 4pol. | 8 POS. / 8pol. | 6 POS. / 6pol. | 8 POS. / 8pol. | 6 POS. / 6pol. |
| CONTACT SYSTEM / Kontaktsystem | AMP MCP2.8 | AMP MCP1.5k | AMP MCP1.5k/2.8 MIX | AMP MCP1.5k/6.3 MIX | AMP MCP2.8 | AMP MCP1.5k | AMP MCP1.5k/2.8 MIX | AMP MCP1.5k/2.8 MIX | AMP MCP6.3/4.8 | AMP MCP2.8/6.3 MIX | AMP MCP2.8/6.3 MIX | AMP MCP2.8/6.3 MIX | AMP MCP2.8/6.3 MIX |
| TE PART NUMBER (BASIC) TE Bestellnummer (Basis) | PN: 1670894 | PN: 1703639 | PN: 1564514 | PN: 2208157 | PN: 1670901 | PN: 1563759 | PN: 1564337 | PN: 1563878 | PN: 1564330 | PN: 2299782 | PN: X-2299782-2 | PN: 2299782 | PN: X-2299782-2 |
| CONTACT DRAWING SEALED Kontaktzeichnung gedichtet | 1355036 WIRE SIZE: MAX. 2.5mm ² | 1241436 WIRE SIZE: MAX. 1.5mm ² | 1355036 WIRE SIZE: MAX. 2.5mm ² 1241436 WIRE SIZE: MAX. 1.5mm ² | 1241438 WIRE SIZE: MAX. 6.0mm ² 1241436 WIRE SIZE: MAX. 1.5mm ² | 1355036 WIRE SIZE: MAX. 2.5mm ² | 1241436 WIRE SIZE: MAX. 1.5mm ² | 1355036 WIRE SIZE: MAX. 2.5mm ² 1241436 WIRE SIZE: MAX. 1.5mm ² | 1355036 WIRE SIZE: MAX. 2.5mm ² 1241436 WIRE SIZE: MAX. 1.5mm ² | 1241438 WIRE SIZE: MAX. 6.0mm ² 1241436 WIRE SIZE: MAX. 1.5mm ² | 1241438 WIRE SIZE: MAX. 6.0mm ² 1355036 WIRE SIZE: MAX. 2.5mm ² | 1241438 WIRE SIZE: MAX. 6.0mm ² 1355036 WIRE SIZE: MAX. 2.5mm ² | 1241438 WIRE SIZE: MAX. 6.0mm ² 1355036 WIRE SIZE: MAX. 2.5mm ² | 1241438 WIRE SIZE: MAX. 6.0mm ² 1355036 WIRE SIZE: MAX. 2.5mm ² |
| PICTURE Abbildung | | | | | | | | | | | | | |
| NUMBER OF POLES / Polzahl | 8 POS. / 8pol. | 12 POS. / 12pol. | 10 POS. / 10pol. | 4 POS. / 4pol. | 12 POS. / 12pol. | 18 POS. / 18pol. | 16 POS. / 16pol. | 15 POS. / 15pol. | 4 POS. / 4pol. | 8 POS. / 8pol. | 6 POS. / 6pol. | 8 POS. / 8pol. | 6 POS. / 6pol. |
| TAB SIZE / TAB Groesse | 2.8mm x 0.8mm | 1.6mm x 0.6mm | 1.6mm x 0.6mm 2.8mm x 0.8mm | 1.6mm x 0.6mm 5.8mm x 0.8mm | 2.8mm x 0.8mm | 1.6mm x 0.6mm | 1.6mm x 0.6mm 2.8mm x 0.8mm | 1.6mm x 0.6mm 2.8mm x 0.8mm | 5.8mm x 0.8mm | 2.8mm x 0.8mm 5.8mm x 0.8mm | 2.8mm x 0.8mm 5.8mm x 0.8mm | 2.8mm x 0.8mm 5.8mm x 0.8mm | 2.8mm x 0.8mm 5.8mm x 0.8mm |
| TE PART NUMBER (BASIC) TE Bestellnummer (Basis) | PN: TBD | PN: 1564520 | PN: 1564518 | PN: TBD | PN: TBD | PN: 1564526 | PN: 1564407 | PN: 1564532 | PN: 1564536 | PN: TBD | PN: TBD | PN: TBD | PN: TBD |
| PRODUCT FEATURES Produktmerkmal | HOUSING WITH FLANGE Flanschgehäuse | HOUSING WITH FLANGE Flanschgehäuse | HOUSING WITH FLANGE Flanschgehäuse | HOUSING WITH FLANGE Flanschgehäuse | HOUSING WITH FLANGE Flanschgehäuse | HOUSING WITH FLANGE Flanschgehäuse | HOUSING WITH FLANGE Flanschgehäuse | HOUSING WITH FLANGE Flanschgehäuse | HOUSING WITH FLANGE Flanschgehäuse | HOUSING WITH FLANGE Flanschgehäuse | HOUSING WITH FLANGE Flanschgehäuse | HOUSING WITH FLANGE Flanschgehäuse | HOUSING WITH FLANGE Flanschgehäuse |
| CONTACT DRAWING Kontaktzeichnung gedichtet | 1355052 WIRE SIZE: MAX. 2.5mm ² | 1355055 WIRE SIZE: MAX. 1.5mm ² | 1355055 WIRE SIZE: MAX. 1.5mm ² 1355052 WIRE SIZE: MAX. 2.5mm ² | 1355055 WIRE SIZE: MAX. 1.5mm ² 1241895 WIRE SIZE: MAX. 6.0mm ² | 1355052 WIRE SIZE: MAX. 2.5mm ² | 1355055 WIRE SIZE: MAX. 1.5mm ² | 1355055 WIRE SIZE: MAX. 1.5mm ² 1355052 WIRE SIZE: MAX. 2.5mm ² | 1355055 WIRE SIZE: MAX. 1.5mm ² 1355052 WIRE SIZE: MAX. 2.5mm ² | 1241895 WIRE SIZE: MAX. 6.0mm ² | 1355052 WIRE SIZE: MAX. 2.5mm ² 1241895 WIRE SIZE: MAX. 6.0mm ² | 1355052 WIRE SIZE: MAX. 2.5mm ² 1241895 WIRE SIZE: MAX. 6.0mm ² | 1355052 WIRE SIZE: MAX. 2.5mm ² 1241895 WIRE SIZE: MAX. 6.0mm ² | 1355052 WIRE SIZE: MAX. 2.5mm ² 1241895 WIRE SIZE: MAX. 6.0mm ² |
| PICTURE Abbildung | | | | | | | | | | | | | |
| NUMBER OF POLES / Polzahl | 8 POS. / 8pol. | 12 POS. / 12pol. | 10 POS. / 10pol. | 4 POS. / 4pol. | 12 POS. / 12pol. | 18 POS. / 18pol. | 16 POS. / 16pol. | 15 POS. / 15pol. | 4 POS. / 4pol. | 8 POS. / 8pol. | 6 POS. / 6pol. | 8 POS. / 8pol. | 6 POS. / 6pol. |
| TAB SIZE / TAB Groesse | 2.8mm x 0.8mm | 1.6mm x 0.6mm | 1.6mm x 0.6mm 2.8mm x 0.8mm | 1.6mm x 0.6mm 5.8mm x 0.8mm | 2.8mm x 0.8mm | 1.6mm x 0.6mm | 1.6mm x 0.6mm 2.8mm x 0.8mm | 1.6mm x 0.6mm 2.8mm x 0.8mm | 5.8mm x 0.8mm | 2.8mm x 0.8mm 5.8mm x 0.8mm | 2.8mm x 0.8mm 5.8mm x 0.8mm | 2.8mm x 0.8mm 5.8mm x 0.8mm | 2.8mm x 0.8mm 5.8mm x 0.8mm |
| TE PART NUMBER (BASIC) TE Bestellnummer (Basis) | PN: 1564522 | PN: 1564414 | PN: 1564516 | PN: TBD | PN: TBD | PN: 1564412 | PN: 1564528 | PN: 1564530 | PN: 1564534 | PN: TBD | PN: TBD | PN: TBD | PN: TBD |
| PRODUCT FEATURES Produktmerkmal | - | - | - | - | - | - | - | - | - | - | - | - | - |
| CONTACT DRAWING Kontaktzeichnung gedichtet | 1355052 WIRE SIZE: MAX. 2.5mm ² | 1355055 WIRE SIZE: MAX. 1.5mm ² | 1355055 WIRE SIZE: MAX. 1.5mm ² 1355052 WIRE SIZE: MAX. 2.5mm ² | 1355055 WIRE SIZE: MAX. 1.5mm ² 1241895 WIRE SIZE: MAX. 6.0mm ² | 1355052 WIRE SIZE: MAX. 2.5mm ² | 1355055 WIRE SIZE: MAX. 1.5mm ² | 1355055 WIRE SIZE: MAX. 1.5mm ² 1355052 WIRE SIZE: MAX. 2.5mm ² | 1355055 WIRE SIZE: MAX. 1.5mm ² 1355052 WIRE SIZE: MAX. 2.5mm ² | 1241895 WIRE SIZE: MAX. 6.0mm ² | 1355052 WIRE SIZE: MAX. 2.5mm ² 1241895 WIRE SIZE: MAX. 6.0mm ² | 1355052 WIRE SIZE: MAX. 2.5mm ² 1241895 WIRE SIZE: MAX. 6.0mm ² | 1355052 WIRE SIZE: MAX. 2.5mm ² 1241895 WIRE SIZE: MAX. 6.0mm ² | 1355052 WIRE SIZE: MAX. 2.5mm ² 1241895 WIRE SIZE: MAX. 6.0mm ² |

ACCESSORIES SEE PAGE 3
Zubehoer siehe Seite 3

THIS DRAWING IS NOT SUBJECT TO CONSTANT CHANGING SERVICE AND DOES NOT LAY CLAIM TO BE COMPLETE. FOR DEFINITE SPECIFICATION SEE RESPECTIVE TE CUSTOMER DRAWINGS. FURTHER VERSIONS ON INQUIRY.

Diese Zeichnung unterliegt nicht dem ständigen Änderungsdienst und erhebt keinen Anspruch auf Vollständigkeit. Verbindliche Angaben sind der jeweiligen TE-Kundenzeichnung zu entnehmen. Weitere Ausführungen auf Anfrage.

THIS DRAWING IS A CONTROLLED DOCUMENT.
REVISIONS: 01 DEC 2007
APPROVED: J. Bischoff
DATE: 07 DEC 2007
BY: J. Granzow
REVISIONS: 08 DEC 2007
APPROVED: E. Edzwald
DATE: 08 DEC 2007
BY: E. Edzwald
REVISIONS: 08 DEC 2007
APPROVED: E. Edzwald
DATE: 08 DEC 2007
BY: E. Edzwald

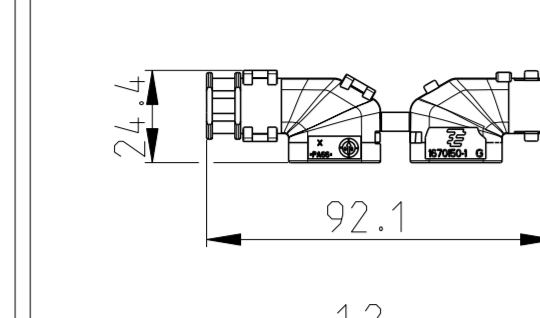
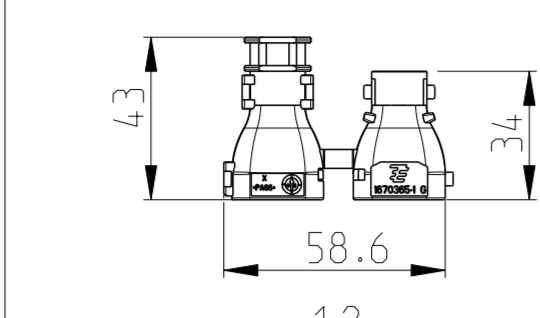
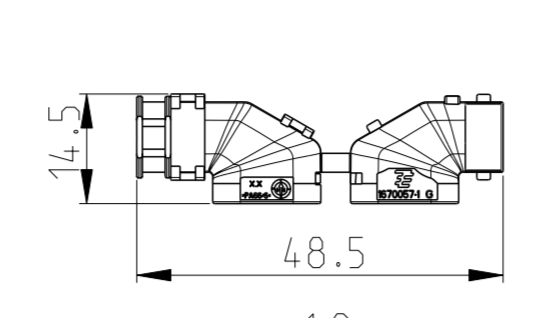
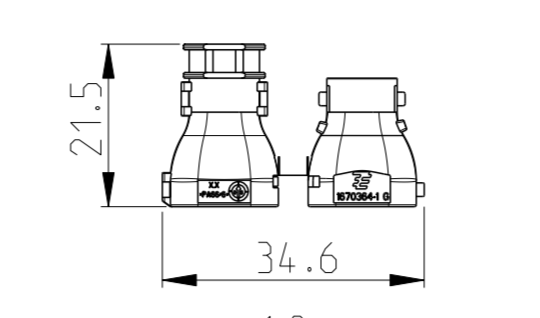
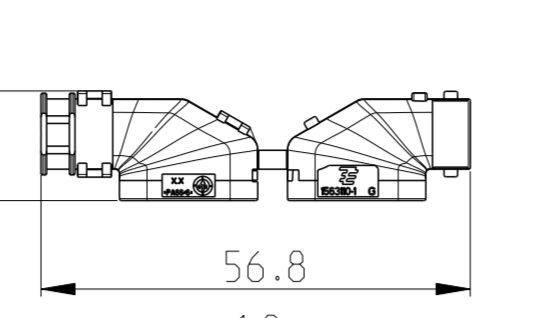
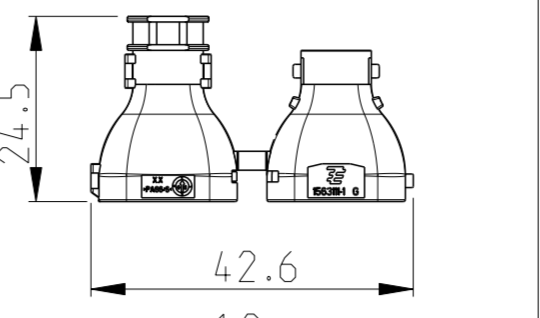
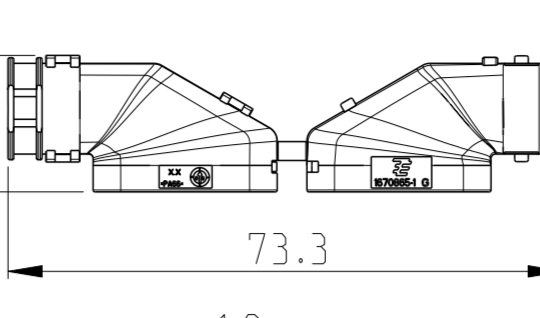
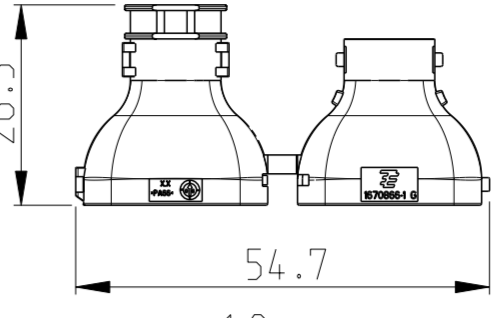
PRODUCT GROUP DRAWING: HDSCS
Produktgruppenzeichnung: HDSCS
(Heavy Duty Sealed Connector Series)

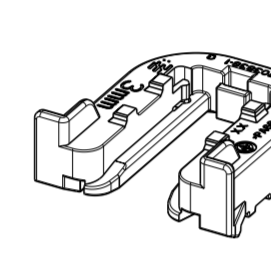
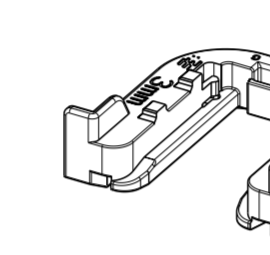
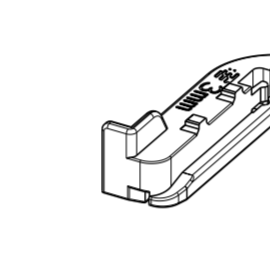
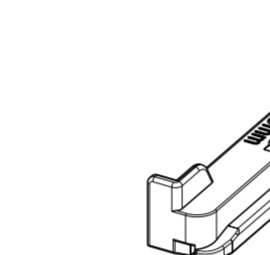
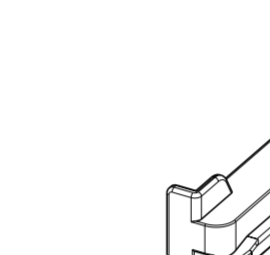
SCALE: 5:1
SHEET: 2
OF: 3

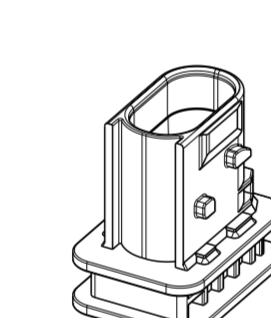
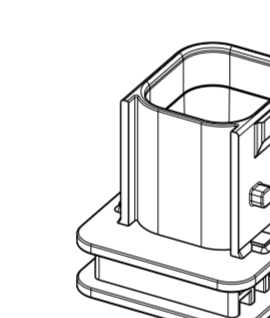
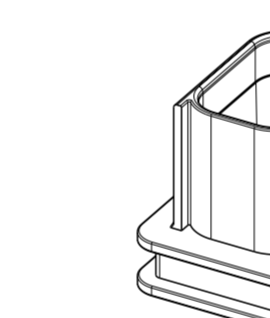
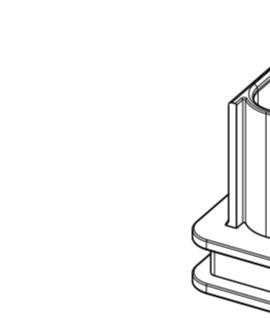
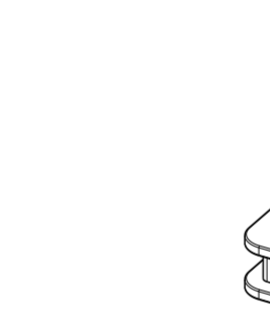
CUSTOMER DRAWING

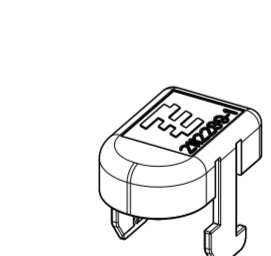
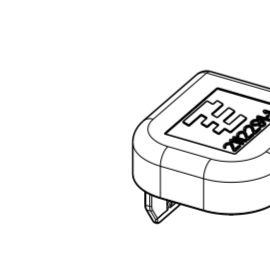
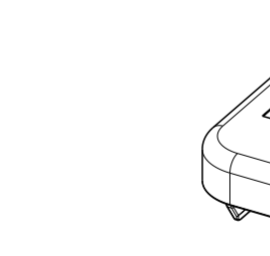
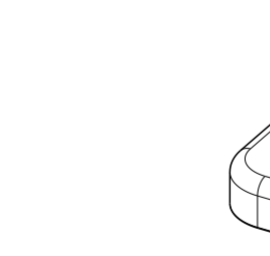

| REV. NO. | DATE | DESCRIPTION | BY | CHK |
|----------|-----------|-------------|----|-----|
| 1 | 07DEC2007 | SEE SHEET 1 | | |

WAS EGATN05327-0011
War

| GROUP Gruppe | A | B | C | D | E | | | | | |
|--|--|--|--|--|--|--|--|--|--|-----------------|
| COVER Kappen |  1:2 |  1:2 | PICTURES NOT AVAILABLE Bilder nicht verfuegbar (SEE DRAWINGS) (Siehe Zeichnungen) |  1:2 |  1:2 |  1:2 |  1:2 |  1:2 |  1:2 | |
| TE PART NUMBER TE Bestellnummer | PN: 0-1670150-1 | PN: 0-1670365-1 | PN: 965576 1418918 1418919 965577 965783 185793 1534789 | PN: 185792 965784 1418916 1418917 965785 965786 1534791 | PN: 0-1670057-1 | PN: 0-1670364-1 | PN: 0-1563110-1 | PN: 0-1563111-1 | PN: 0-1670865-1 | PN: 0-1670866-1 |
| CORRUGATED TUBE Wellrohr | NW 8.5 | NW 8.5 | SEVERAL APPLICATIONS Diverse Anwendungen | SEVERAL APPLICATIONS Diverse Anwendungen | NW 13 | NW 13 | NW 13 | NW 13 | NW 17 | NW 17 |
| CABLE EXIT DIRECTION Richtung Kabelabgang | 90° | 180° | 90° | 180° | 90° | 180° | 90° | 180° | 90° | 180° |

| GROUP Gruppe | A | B | C | D | E |
|---|--|--|--|--|--|
| FIXING SLIDE FOR TAB HOUSING Schieber fuer Flachsteckergehaeuse |  |  |  |  |  |
| TE PART NUMBER (BASIC) TE Bestellnummer (Basis) | PN: 1703838 | PN: 1703810 | PN: 1670720 CUSTOMER RESTRICTED: PN 2208002 FOR 4mm SHEETMETAL | PN: 1564562 CUSTOMER RESTRICTED: PN 2317070 FOR 1.2mm SHEET METAL | PN: 1564411 CUSTOMER RESTRICTED: PN 2316939 FOR 1.2mm SHEET METAL PN 2208003 FOR 4mm SHEET METAL |
| SHEETMETAL THICKNESS Blechstaerke 1.0 ± 0.1mm 1.5 ± 0.1mm 2.0 ± 0.1mm 2.5 ± 0.1mm 3.0 ± 0.1mm 3.5 ± 0.1mm 4.0 ± 0.1mm | AVAILABLE VERSIONS SEE CUSTOMER DRAWING Verfuegbare Versionen siehe Kundenzeichnung | AVAILABLE VERSIONS SEE CUSTOMER DRAWING Verfuegbare Versionen siehe Kundenzeichnung | AVAILABLE VERSIONS SEE CUSTOMER DRAWING Verfuegbare Versionen siehe Kundenzeichnung | AVAILABLE VERSIONS SEE CUSTOMER DRAWING Verfuegbare Versionen siehe Kundenzeichnung | AVAILABLE VERSIONS SEE CUSTOMER DRAWING Verfuegbare Versionen siehe Kundenzeichnung |

| GROUP Gruppe | A | B | C | D | E |
|---|---|---|---|--|---|
| PROTECTION CAP FOR RECEPTACLE HOUSING Schutzkappe fuer Buchsengehaeuse |  |  |  |  |  |
| TE PART NUMBER TE Bestellnummer | PN: 0-2112299-1 | PN: 0-2112300-1 | PN: 0-2112301-1 | PN: 0-2112302-1 | PN: 0-2112303-1 |
| COUNTERPART Gegenstueck | SUITABLE FOR ALL RECEPTACLE HOUSINGS OF GROUP "A" Passend zu allen Buchsengehaeusen der Gruppe "A" | SUITABLE FOR ALL RECEPTACLE HOUSINGS OF GROUP "B" Passend zu allen Buchsengehaeusen der Gruppe "B" | SUITABLE FOR ALL RECEPTACLE HOUSINGS OF GROUP "C" Passend zu allen Buchsengehaeusen der Gruppe "C" | SUITABLE FOR ALL RECEPTACLE HOUSINGS OF GROUP "D" Passend zu allen Buchsengehaeuse der Gruppe "D" | SUITABLE FOR ALL RECEPTACLE HOUSINGS OF GROUP "E" Passend zu allen Buchsengehaeusen der Gruppe "E" |

| GROUP Gruppe | A | B | C | D | E |
|---|--|--|--|--|--|
| PROTECTION CAP FOR TAB HOUSING Schutzkappe fuer Flachsteckergehaeuse |  |  |  |  |  |
| TE PART NUMBER TE Bestellnummer | PN: 0-2112289-1 | PN: 0-2112291-1 | PN: 0-2112293-1 | PN: 0-2112295-1 | PN: 0-2112297-1 |
| COUNTERPART Gegenstueck | SUITABLE FOR INTERFACE 114-18743-1 AND ALL TAB HOUSINGS OF GROUP "A" Passend zur Schnittstelle 114-18743-1 und allen Flachsteckergehaeusen der Gruppe "A" | SUITABLE FOR INTERFACE 114-18739-1 AND ALL TAB HOUSINGS OF GROUP "B" Passend zur Schnittstelle 114-18739-1 und allen Flachsteckergehaeusen der Gruppe "B" | SUITABLE FOR INTERFACE 114-18740-1 AND ALL TAB HOUSINGS OF GROUP "C" Passend zur Schnittstelle 114-18740-1 und allen Flachsteckergehaeusen der Gruppe "C" | SUITABLE FOR INTERFACE 114-18807-1 AND ALL TAB HOUSINGS OF GROUP "D" Passend zur Schnittstelle 114-18807-1 und allen Flachsteckergehaeusen der Gruppe "D" | SUITABLE FOR INTERFACE 114-18799-1 AND ALL TAB HOUSINGS OF GROUP "E" Passend zur Schnittstelle 114-18799-1 und allen Flachsteckergehaeusen der Gruppe "E" |

THIS DRAWING IS A CONTROLLED DOCUMENT. AND DOES NOT LAY CLAIM TO BE COMPLETE. FOR DEFINITE SPECIFICATION SEE RESPECTIVE TE CUSTOMER DRAWINGS. FURTHER VERSIONS ON INQUIRY.

Diese Zeichnung unterliegt nicht dem staeandigen Aenderungsdiens und erhebt keinen Anspruch auf Vollstaendigkeit. Verbindliche Angaben sind der jeweiligen TE-Kundenzeichnung zu entnehmen. Weitere Ausfuehrungen auf Anfrage.

| | | | | |
|----------|-----------|-------------|----|-----|
| REV. NO. | DATE | DESCRIPTION | BY | CHK |
| 1 | 07DEC2007 | SEE SHEET 1 | | |

STE Connectivity

PRODUCT GROUP DRAWING, HDSCS
Produktgruppenzeichnung HDSCS
(Heavy Duty Sealed Connector Series)

SCALE: 1:1
SHEET: 3 OF 3

Mouser Electronics

Authorized Distributor

Click to View Pricing, Inventory, Delivery & Lifecycle Information:

[TE Connectivity:](#)

[4-1418480-1](#)