

4

3

2

1

THIS DRAWING IS UNPUBLISHED. RELEASED FOR PUBLICATION
© COPYRIGHT ALL RIGHTS RESERVED.

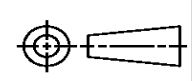
LOC	DIST	REVISIONS			
P	LTR	DESCRIPTION	DATE	DWN	APVD
	A1	ECR-15-000199	07JAN2015	GK	HMR

REPLACED BY OCEAN STYLE APPLICATOR PART NUMBER 2266547-1

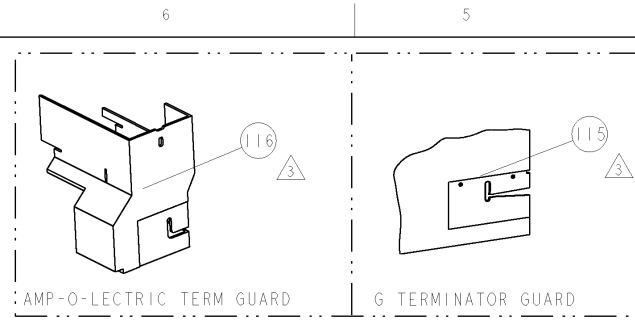
FOR REPLACEMENT PARTS FOR APPLICATOR 1852500 REFER TO ADDITIONAL PAGE(S). SPARE PARTS KIT (IF LISTED) WILL REMAIN AVAILABLE.

THE REPLACEMENT OCEAN STYLE APPLICATOR HAS THE SAME TERMINATOR/PRESS INTERFACE AS APPLICATOR 1852500

THIS DRAWING IS A CONTROLLED DOCUMENT.		DWN	GOPALAKRISHNA HV														
DIMENSIONS:		CHK	RAGHAVENDRA														
TOLERANCES UNLESS OTHERWISE SPECIFIED:		APVD	RAGHAVENDRA														
<table border="0"> <tr><td>0 PLC</td><td>±</td></tr> <tr><td>1 PLC</td><td>±</td></tr> <tr><td>2 PLC</td><td>±</td></tr> <tr><td>3 PLC</td><td>±</td></tr> <tr><td>4 PLC</td><td>±</td></tr> <tr><td>ANGLES</td><td>±</td></tr> </table>		0 PLC	±	1 PLC	±	2 PLC	±	3 PLC	±	4 PLC	±	ANGLES	±	NAME	SIDE FEED HDM APPLICATOR		
0 PLC	±																
1 PLC	±																
2 PLC	±																
3 PLC	±																
4 PLC	±																
ANGLES	±																
MATERIAL		PRODUCT SPEC															
FINISH		APPLICATION SPEC															
		WEIGHT	SIZE	CAGE CODE	DRAWING NO												
			A3		©- 1852500												
		CUSTOMER DRAWING	SCALE	SHEET 1 OF 2	REV A1												



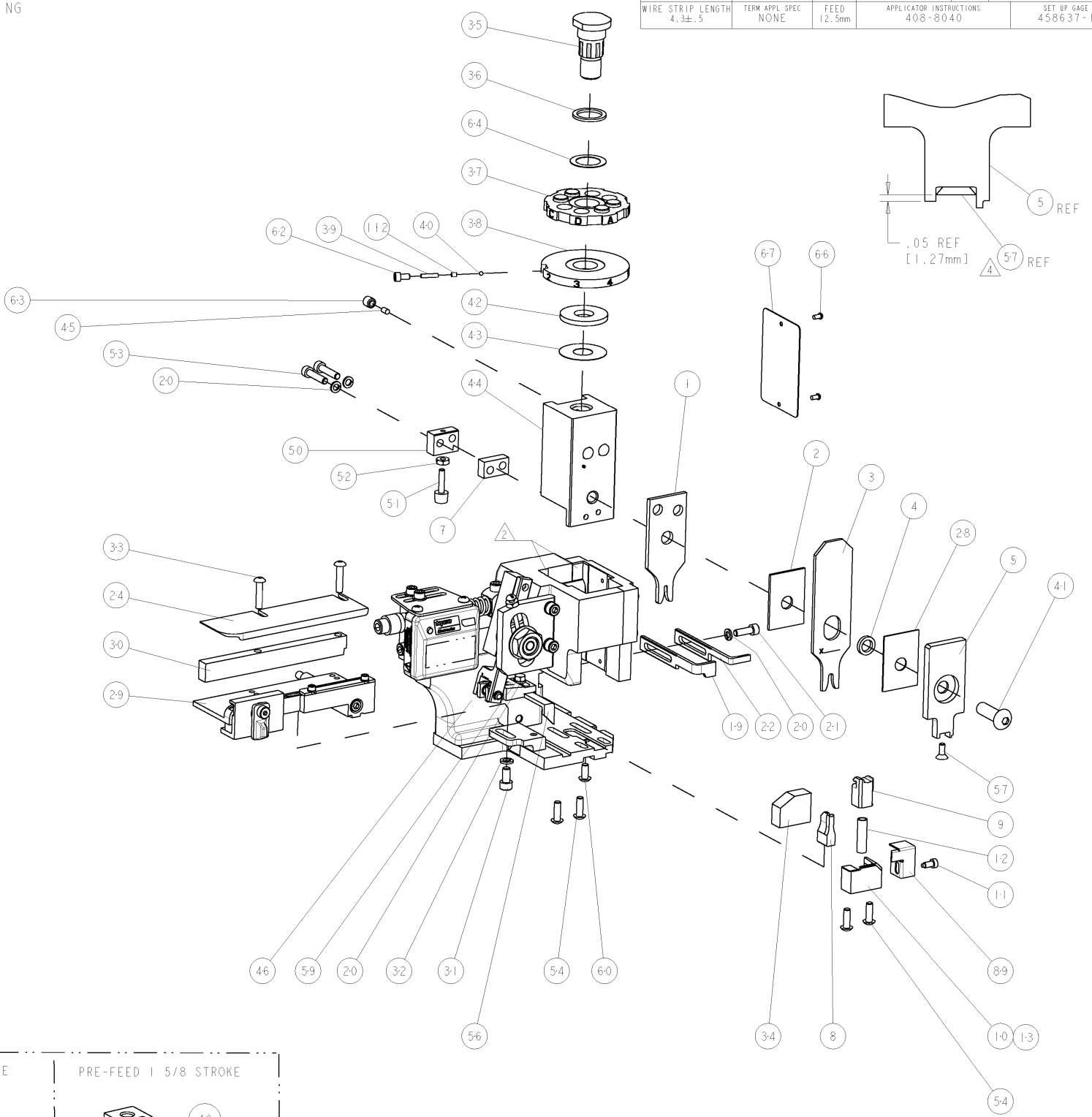
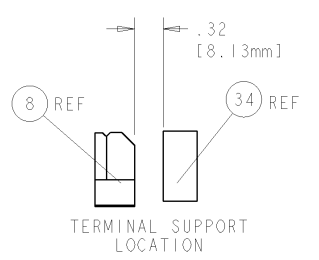
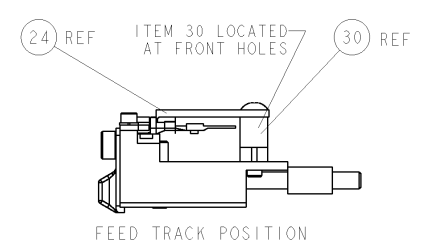
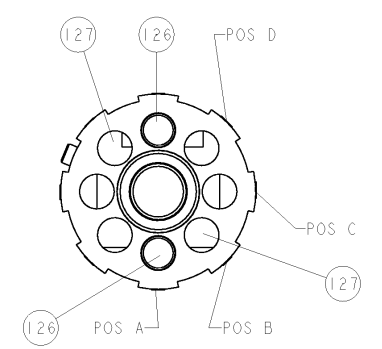
PART NUMBER	REV	FIRST USED	POWER UNIT	FEED TYPE	DESCRIPTION
1852500-1	A	122500-1	LEADMAKER	POST FEED	CUTS CARRIER
1852500-2	A	565435-5	BENCH MODEL K	PRE FEED	CUTS CARRIER
1852500-3	A	354500-1	BENCH MODEL G	PRE FEED	CUTS CARRIER
1852500-6	A	122500-1	LEADMAKER	POST FEED	CONTINUOUS CARRIER
7-1852500-7	A	-	-	-	SPARE PARTS



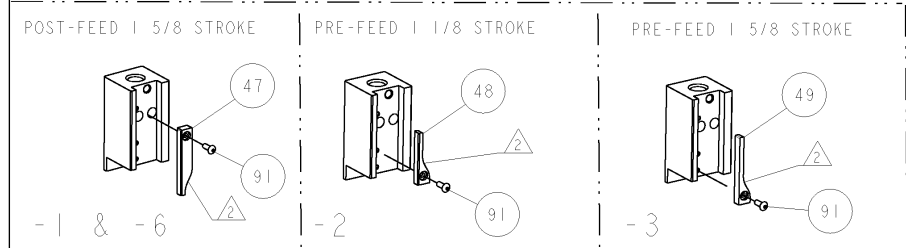
TYCO PN		AMP TERMINAL - AMP CRIMP SPECS	
1-936260-1	-	CRIMP HEIGHT	WIRE SIZE
-	-	A 1.09±0.05mm [.043±.002]	0.5mm2 or 20AWG
-	-	B 1.01±0.05mm [.040±.002]	0.3mm2 or 22AWG
-	-	C -	-
-	-	D -	-
SEAL PN	CRIMP	SIZE	TYPE
828904-1	-	1.78mm [.070]	F
-	-	3.56mm [1.40]	O
-	-	APPLICATOR INSTRUCTIONS 408-8040	
-	-	SET UP GAGE 458637-1	
WIRE STRIP LENGTH	TERM APPL SPEC	FEED	
4.3±.5	NONE	12.5mm	

LOC	DIST	REV	DESCRIPTION	DATE	BY	APPD
A	66		RELEASED	13JUL2007	BH	BH

▲ RECOMMENDED SPARE PARTS
 ▲ GREASE LIGHTLY
 ▲ GUARD MUST BE IN PLACE WHEN OPERATING APPLICATOR IN A BENCH MACHINE



-	2	2	2	2	-	4-354779-0	PIN, WIRE DISC, .3190	127
-	2	2	2	2	-	3-354779-2	PIN, WIRE DISC, .3150	126
-	-	-	REF	-	..	455749-1	GUARD WINDOW	116
-	-	REF	-	-	..	679532-1	INSERT, GUARD	115
-	1	1	1	1	-	690603-1	SPRING ASSIST AMP-O-MATOR APPLICATOR	112
-	1	1	1	1	-	1-21002-7	SCR, BTN SKT HD CAP 6-32 X .375	91
-	1	1	1	1	-	318563-1	GUARD, FRONT CHIP	89
-	1	1	1	1	-	4088040	SF APPL INST 408-8040	72
-	1	1	1	1	-	217238-1	GENERAL INSTRUCTION PKG	71
-	1	1	1	1	-	461264-1	PLATE, IDENTIFICATION	67
-	2	2	2	2	-	21017-2	SCREW, DRIVE	66
-	1	1	1	1	-	986950-1	WASHER, FLAT PRECISION	64
-	1	1	1	1	-	21009-2	SCR, SET, SELF LOCKING 1/4-20 X .250	63
-	1	1	1	1	-	23030-1	SCR, SKT HD CAP 6-32 X .25	62
-	1	1	1	1	-	22733-8	SCR, BHSC, SELF-LOCKING, 8-32 X .375	60
-	1	1	1	1	-	2-22603-0	SCR, HEX HD CAP 8-32 X .312	59
-	1	1	1	1	-	1-21003-9	SCR, FLT SKT HD CAP 6-32 X .375	57
-	1	1	1	1	-	458537-2	PAWL, FEED	56
-	4	4	4	4	-	2-21002-2	SCR, BTN SKT HD CAP 8-32 X .500	54
-	2	2	2	2	-	2-21000-9	SCR, SKT HD CAP 8-32 X .750	53
-	1	1	1	1	-	21018-5	NUT, HEX, REG 6-32	52
-	1	1	1	1	-	811242-2	BUMPER, HOLD DOWN	51
-	1	1	1	1	-	690753-1	SPACER, TONKER	50
-	-	-	-	-	..	690602-6	CAM, PRE FEED, 1/8	49
-	-	-	-	-	..	690602-5	CAM, PRE FEED, 1/8	48
-	1	-	-	-	-	690501-4	CAM, POST FEED, 1/8	47
-	1	1	1	1	-	459456-1	APPL. BASIC SUB ASSY (SIDE WISE MOCA)	46
-	1	1	1	1	-	690191-1	PLUG, NYLON	45
-	1	1	1	1	-	455673-1	RAM, SIDE FEED	44
-	1	1	1	1	-	690125-1	SHIM SUB-ASSY	43
-	1	1	1	1	-	1-690124-4	WASHER, RAM (.120)	42
-	1	1	1	1	-	7-21002-9	SCR, BTN SKT HD CAP 5/16-24 X 1.00	41
-	1	1	1	1	-	23241-6	BALL, STEEL	40
-	1	1	1	1	-	690170-1	SPRING, COMPRESSION	39
-	1	1	1	1	-	1-690142-0	DISC, INSULATION	38
-	1	1	1	1	-	354777-1	WIRE DISC, ASSEMBLY	37
-	1	1	1	1	-	22480-5	SPRING, COMPRESSION	36
-	1	1	1	1	-	690212-1	POST, RAM	35
-	1	1	1	1	-	690786-2	TERMINAL SUPPORT	34
-	2	2	2	2	-	2-21002-4	SCR, BTN SKT HD CAP 8-32 X .750	33
-	1	1	1	1	-	21024-5	WASHER, SPRG LOCK, REG NO 10	32
-	1	1	1	1	-	3-21000-4	SCR, SKT HD CAP 10-32 X .375	31
-	1	1	1	1	-	1320908-1	SPACER, STRIP GUIDE	30
-	1	1	1	1	-	1633091-1	ASSEMBLY, STRIP GUIDE	29
-	1	1	1	1	-	455888-6	SPACER, CRIMPER	28
-	1	1	1	1	-	1320928-1	PLATE, STRIP GUIDE	24
-	1	-	-	-	-	690472-2	STRIPPER	22
-	1	1	1	1	-	2-21000-7	SCR, SKT HD CAP 8-32 X .500	21
-	4	4	4	4	-	21024-4	WASHER, SPRG LOCK, REG NO 8	20
-	-	-	-	-	-	691353-1	STRIPPER	19
-	1	-	-	-	-	679625-2	SHEAR HOLDER, FRONT (NO CUT)	13
-	1	1	1	1	-	3-22280-3	SPRING, COMPRESSION	12
-	1	1	1	1	-	690461-2	STOP, SHEAR	11
-	-	1	1	1	-	1-690459-0	SHEAR HOLDER, FRONT	10
-	1	1	1	1	-	318707-1	FLOATING SHEAR, FRONT	9
1	1	1	1	1	-	1633544-3	ANVIL, COMBINATION	8
-	1	1	1	1	-	2-240641-3	SPACER	7
-	-	-	-	-	..	-	-	6
-	1	1	1	1	-	318701-6	DEPRESSOR, SHEAR	5
-	1	1	1	1	-	1-238011-0	BLOCK, CRIMPER SPACER	4
1	1	1	1	1	-	5-683454-0	CRIMPER, INSULATION O	3
-	1	1	1	1	-	1-455888-4	SPACER, CRIMPER	2
1	1	1	1	1	-	1-456404-8	CRIMPER, WIRE PREMIUM	1



DIMENSIONS:		TOLERANCES UNLESS OTHERWISE SPECIFIED:		APPROVED:		DATE:	
INCHES	0 PLC ±.010	1 PLC ±.010	2 PLC ±.010	3 PLC ±.010	4 PLC ±.010	APPROVED	DATE
	1.00 ±.010	1.00 ±.010	1.00 ±.010	1.00 ±.010	1.00 ±.010	B. HIGMAN	26 JUN 2007
	1.00 ±.010	1.00 ±.010	1.00 ±.010	1.00 ±.010	1.00 ±.010	B. HIGMAN	26 JUN 2007
	1.00 ±.010	1.00 ±.010	1.00 ±.010	1.00 ±.010	1.00 ±.010	E. ELBLIN	26 JUN 2007
	1.00 ±.010	1.00 ±.010	1.00 ±.010	1.00 ±.010	1.00 ±.010		

Mouser Electronics

Authorized Distributor

Click to View Pricing, Inventory, Delivery & Lifecycle Information:

[TE Connectivity:](#)

[1852500-6](#)