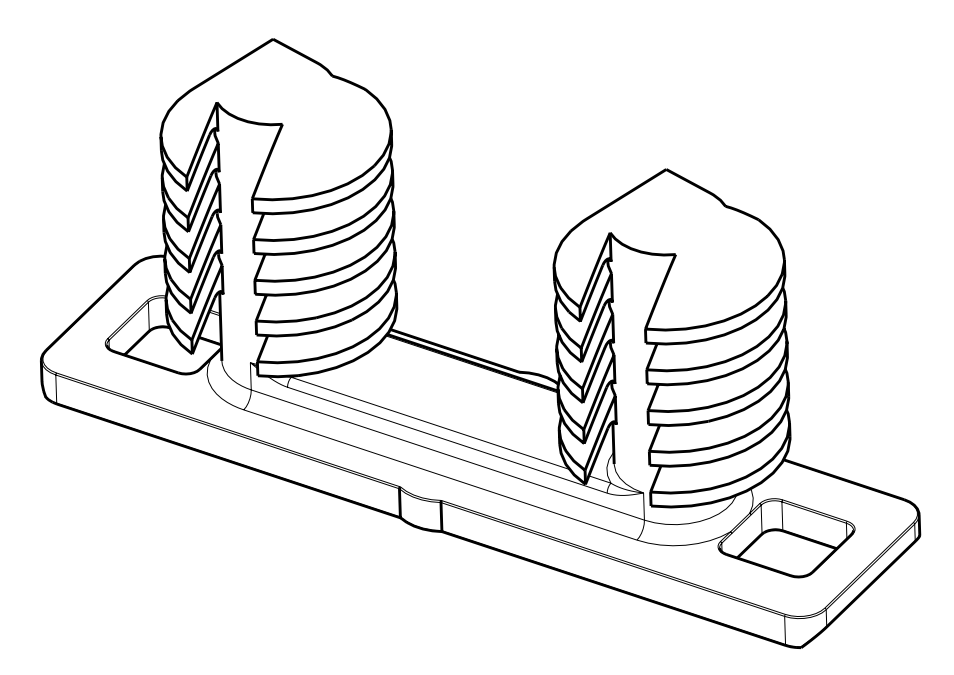
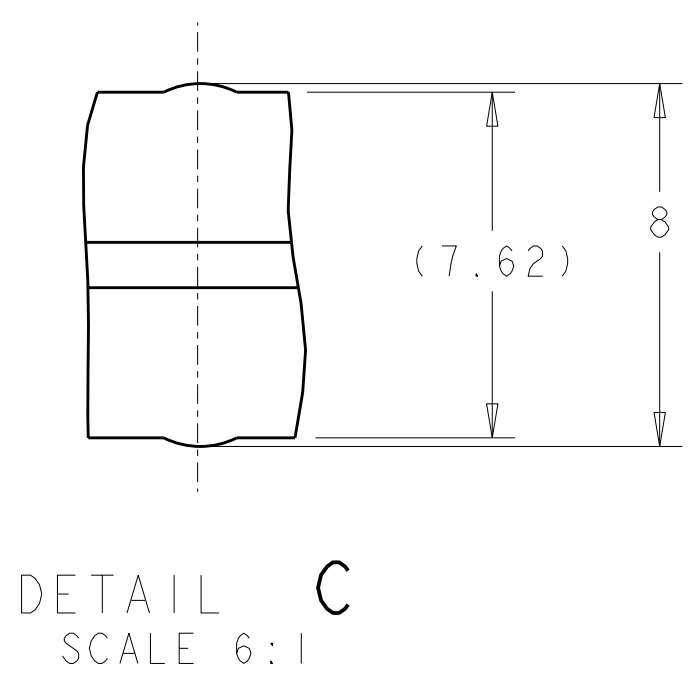
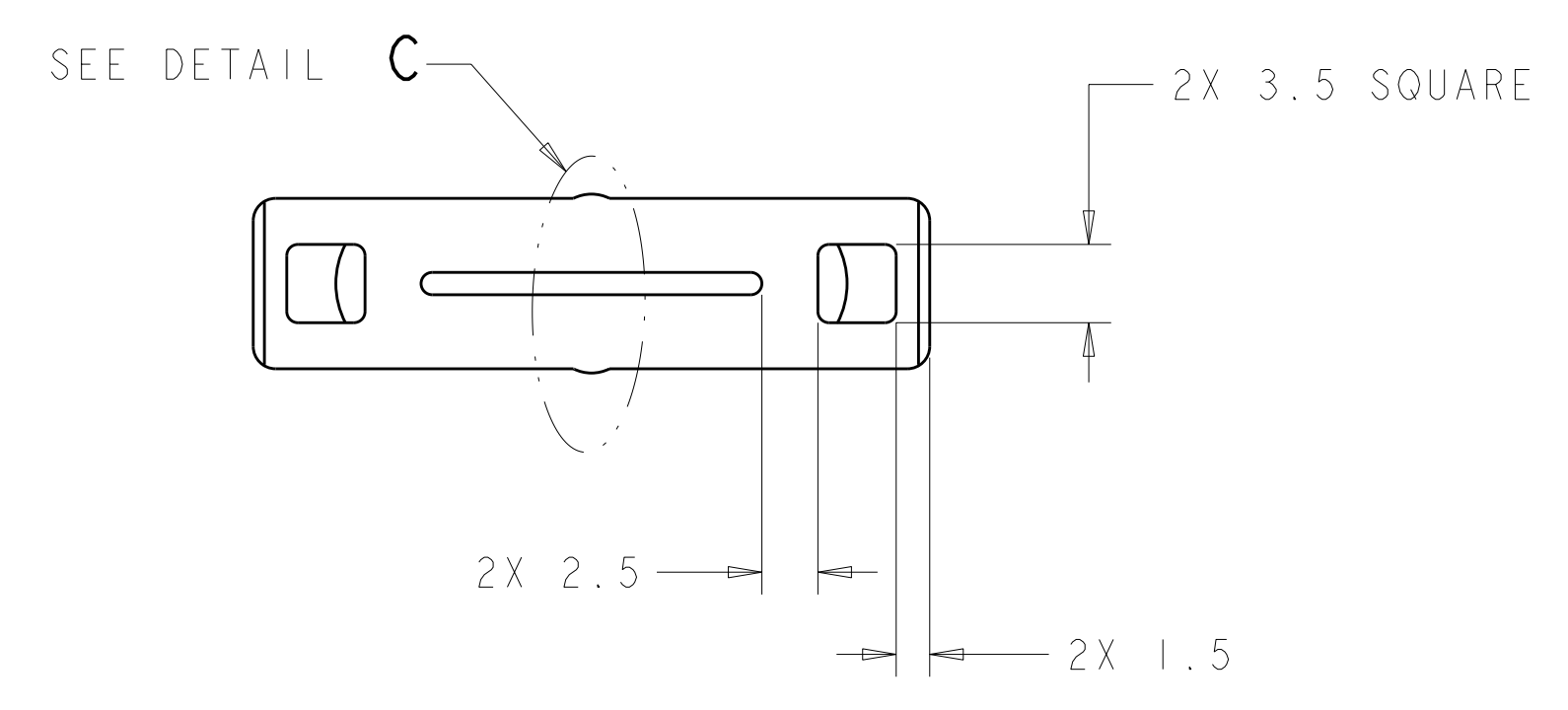
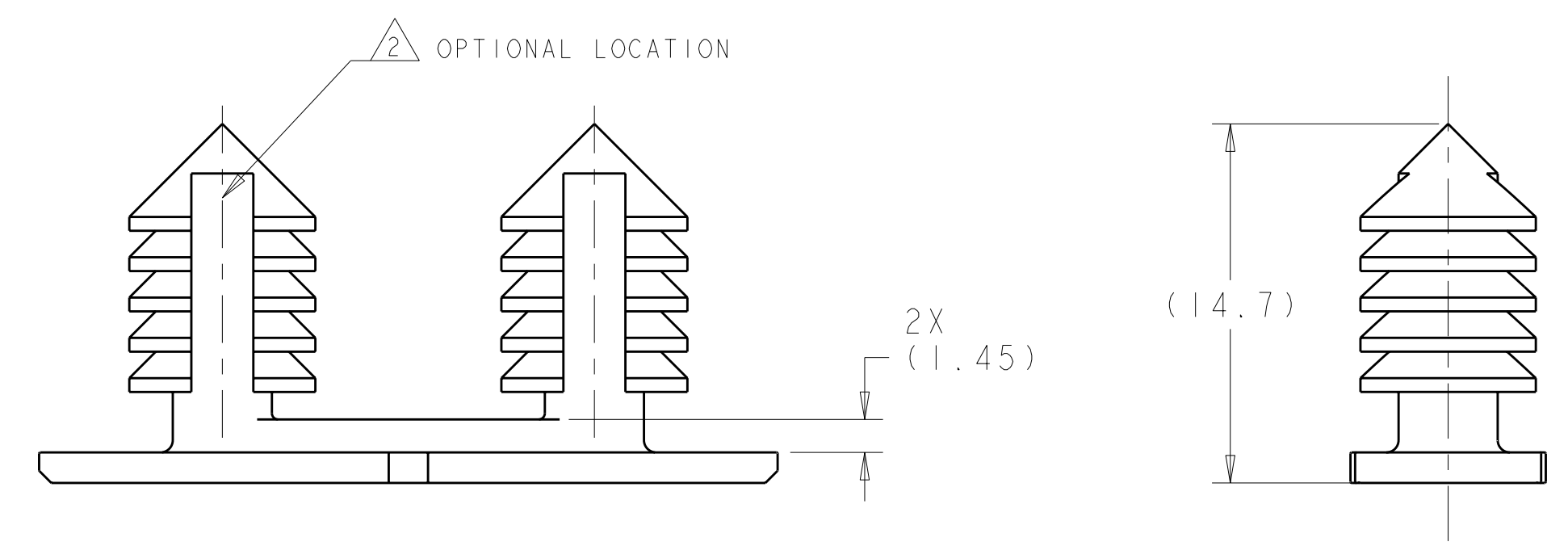
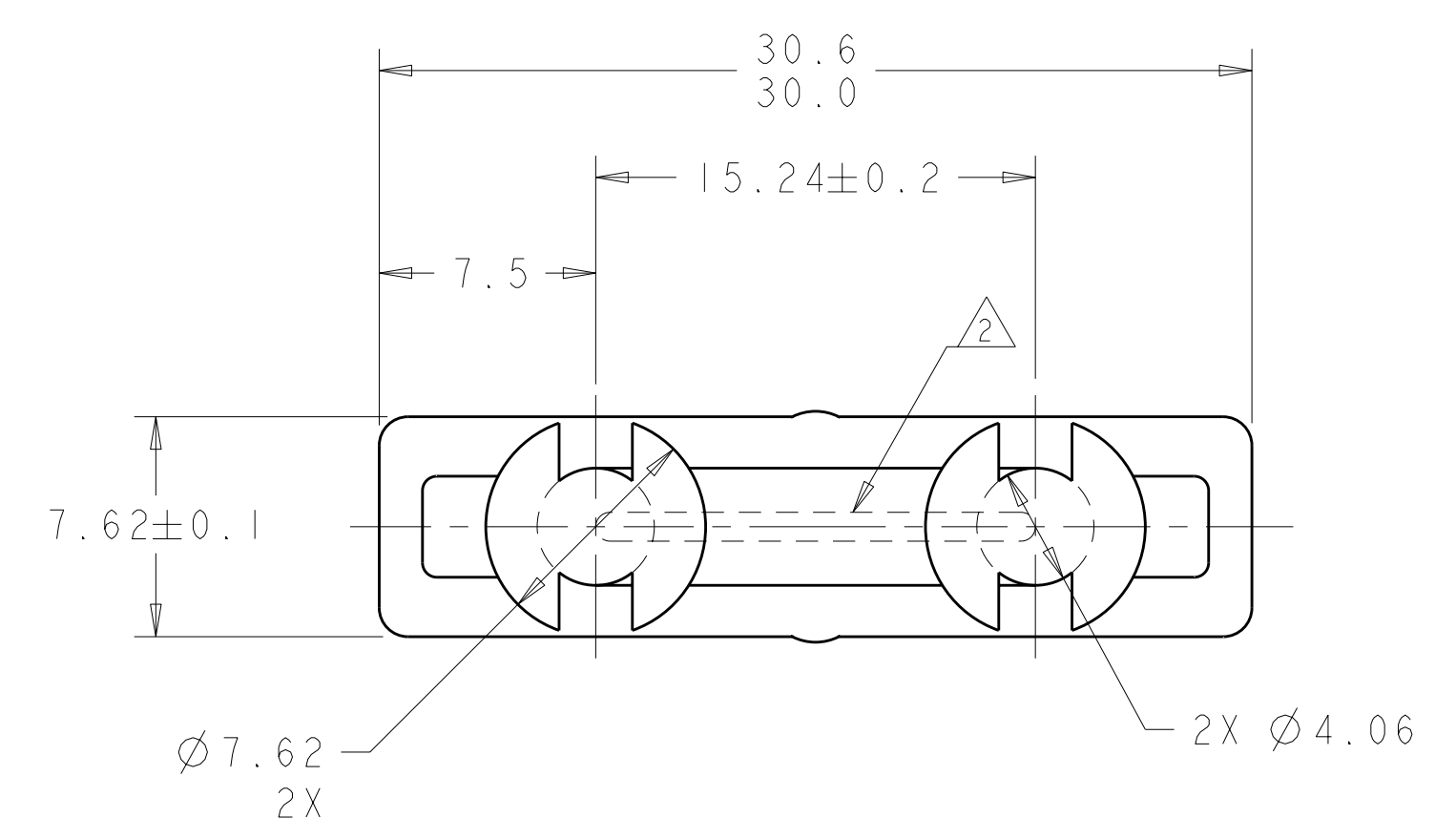
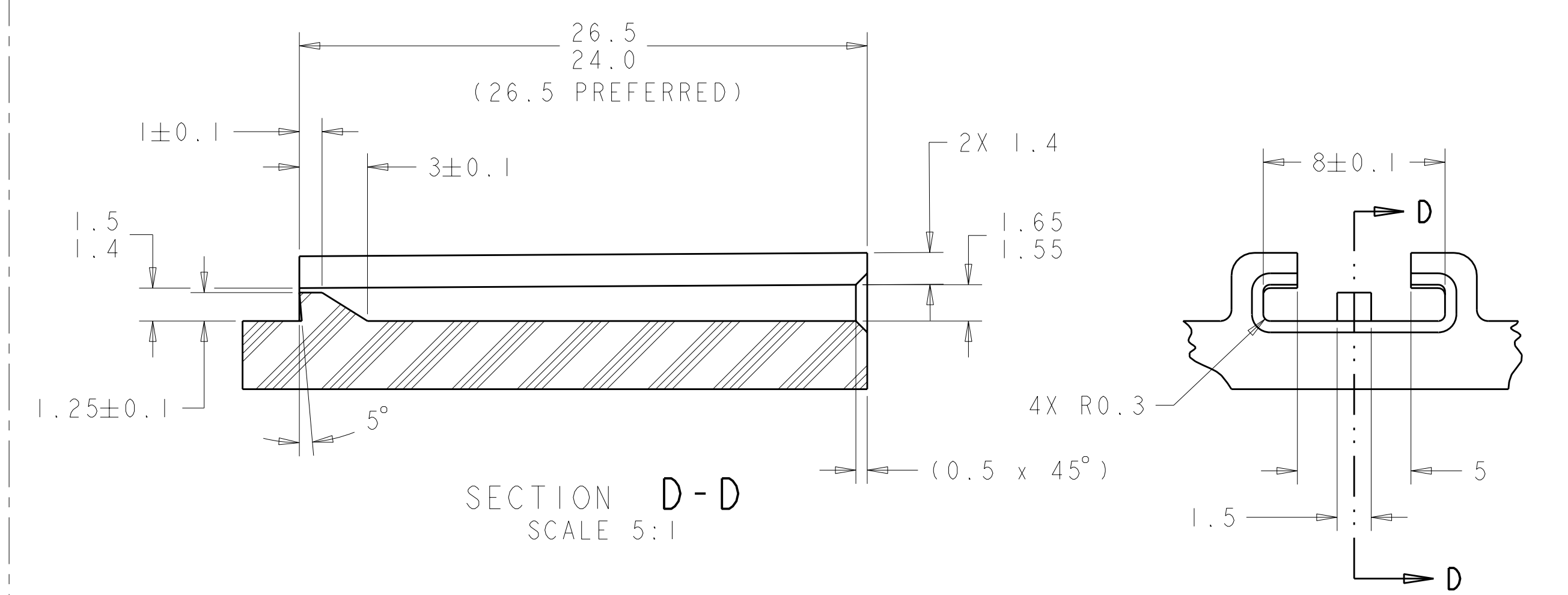


LOC	DIST	REV	DATE	BY	CHK	APPV
HK	00	0	12MAY2004	AB	RMP	
		B	17AUG2006	JM	RMP	
		B1	10SEP2007	JM	JM	
		B2	15APR2009	DLD	DCS	

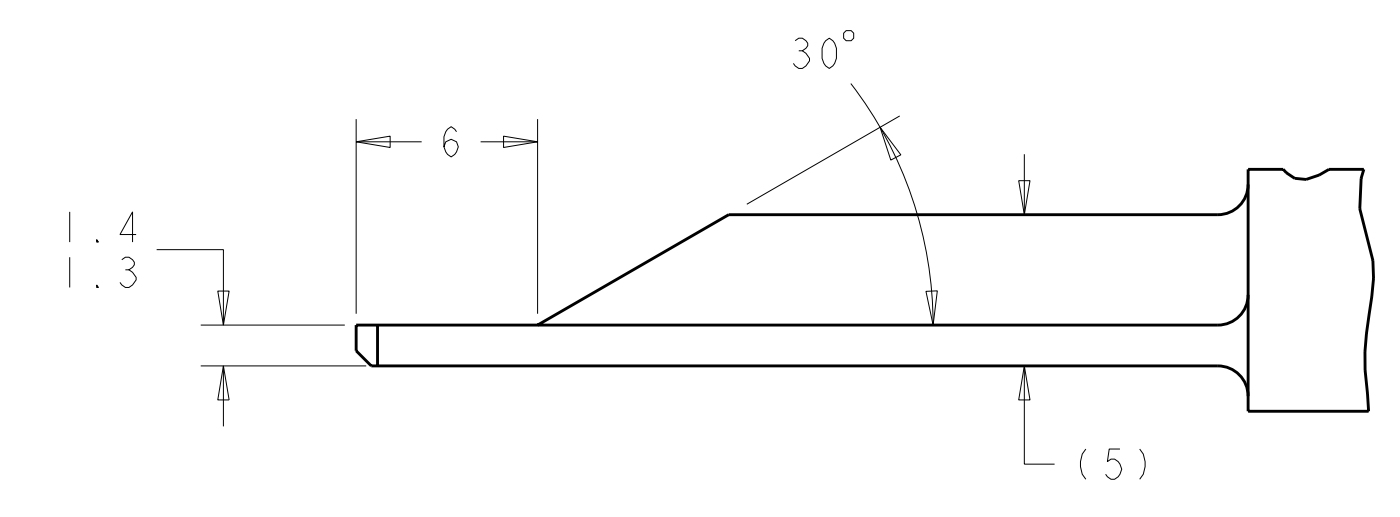
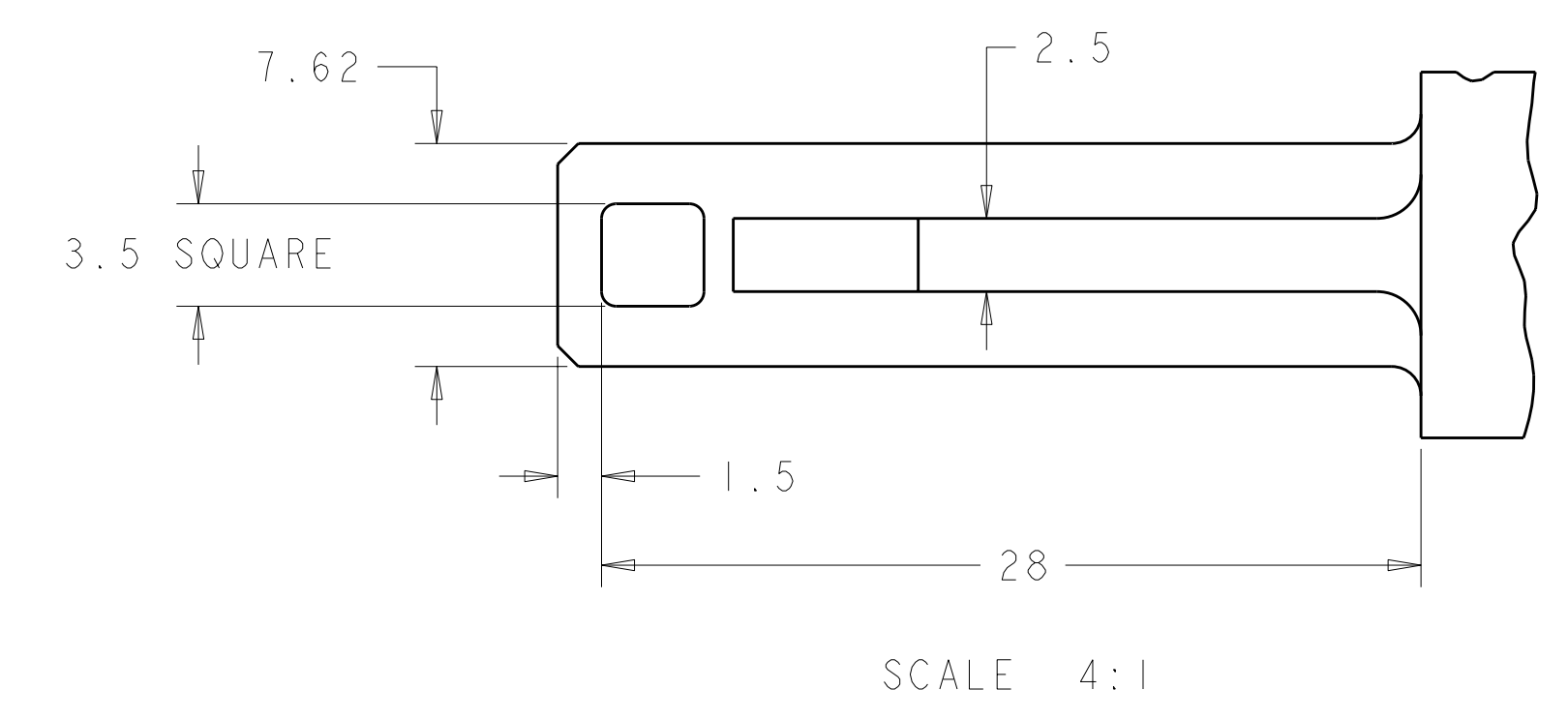


△ MATERIAL: NYLON 6/6, COLOR: BLACK.
 △ SUPPLIER I.D., MOLD AND CAVITY I.D.



SECTION D-D
SCALE 5:1

CLIP SLOT- INSULATOR MOUNTING



CLIP- INSULATOR MOUNTING

(DIMENSIONS ARE REFERENCE ONLY)

DIMENSIONS: mm 		TOLERANCES UNLESS OTHERWISE SPECIFIED: 0 PLC ± 1 PLC ±0.2 2 PLC ±0.2 3 PLC ± 4 PLC ± ANGLES ±0.5° FINISH		DWN: A. BASU 12MAY2004 CHK: A. BASU 12MAY2004 APPV: A. BASU 12MAY2004		Tyco Electronics Harrisburg, PA 17105-3608	
MATERIAL: △		PRODUCT SPEC: APPLICATION SPEC:		NAME: CLIP, INSULATOR-MOUNTING (DOUBLE X-MAS TREE)		RESTRICTED TO:	
CUSTOMER DRAWING		WEIGHT:		SIZE: A 00779 C=1437839-1		SCALE: 4:1 SHEET 1 OF 1 REV: B2	

Mouser Electronics

Authorized Distributor

Click to View Pricing, Inventory, Delivery & Lifecycle Information:

[TE Connectivity:](#)

[1437839-1](#)