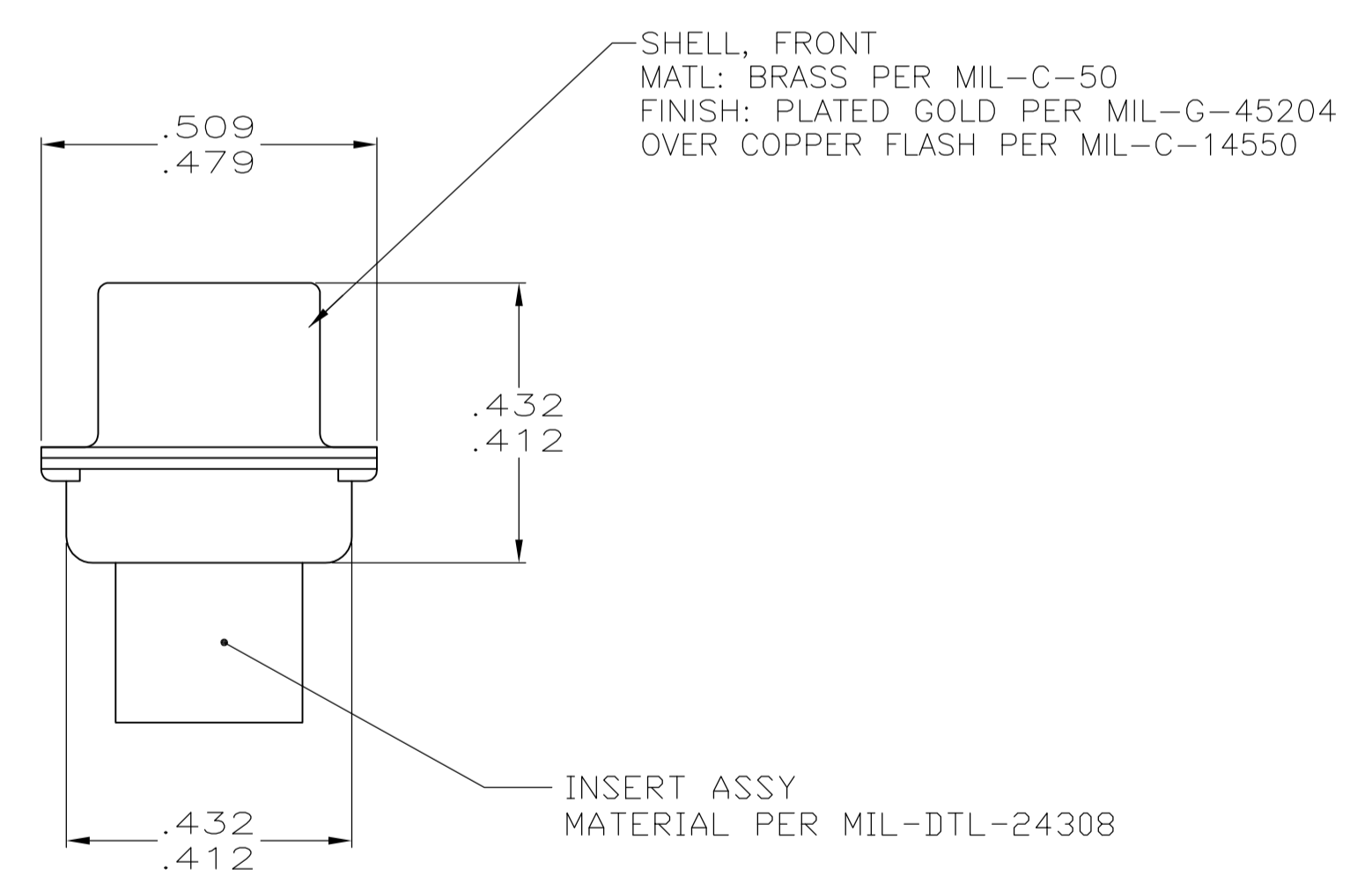
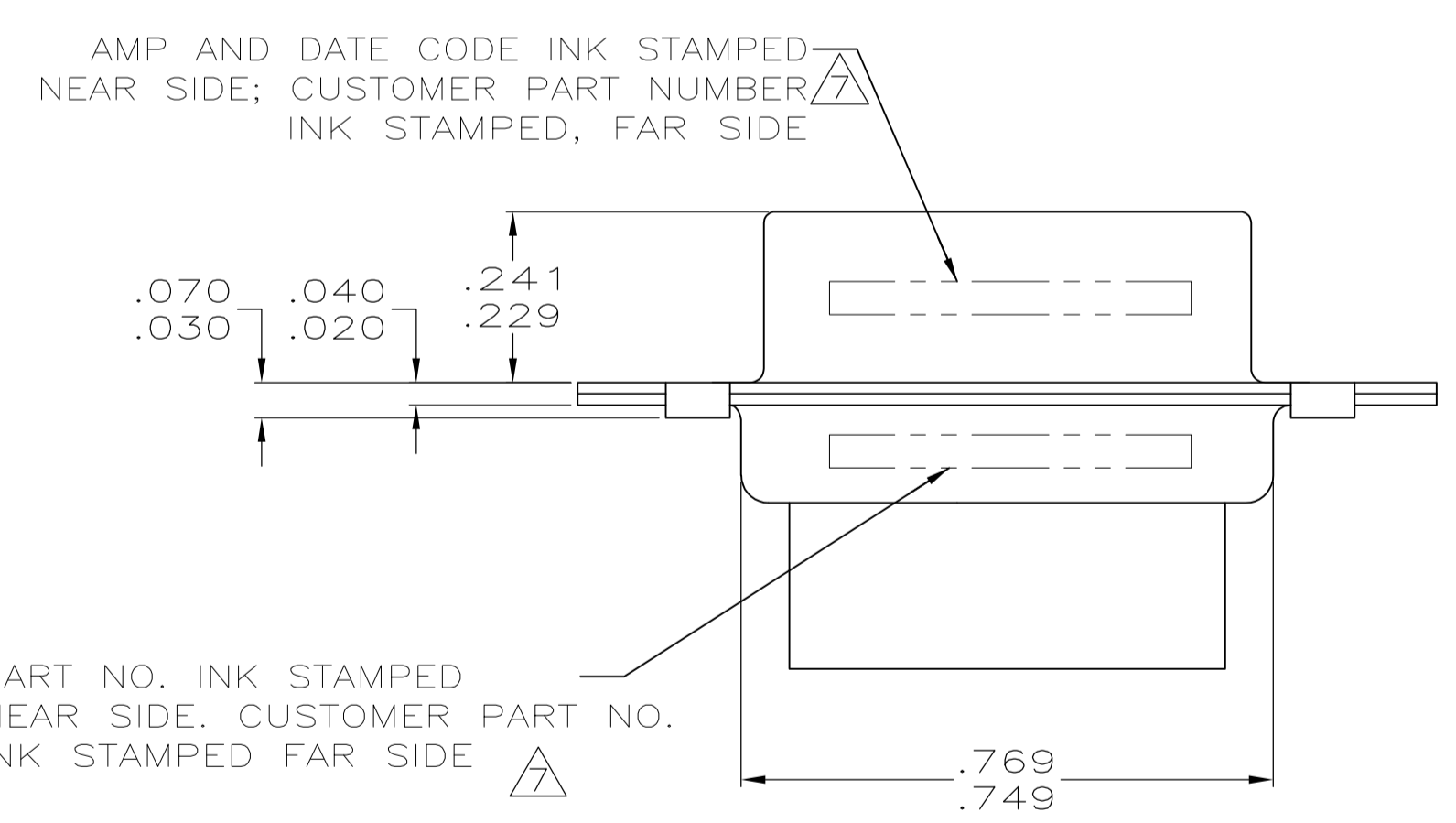
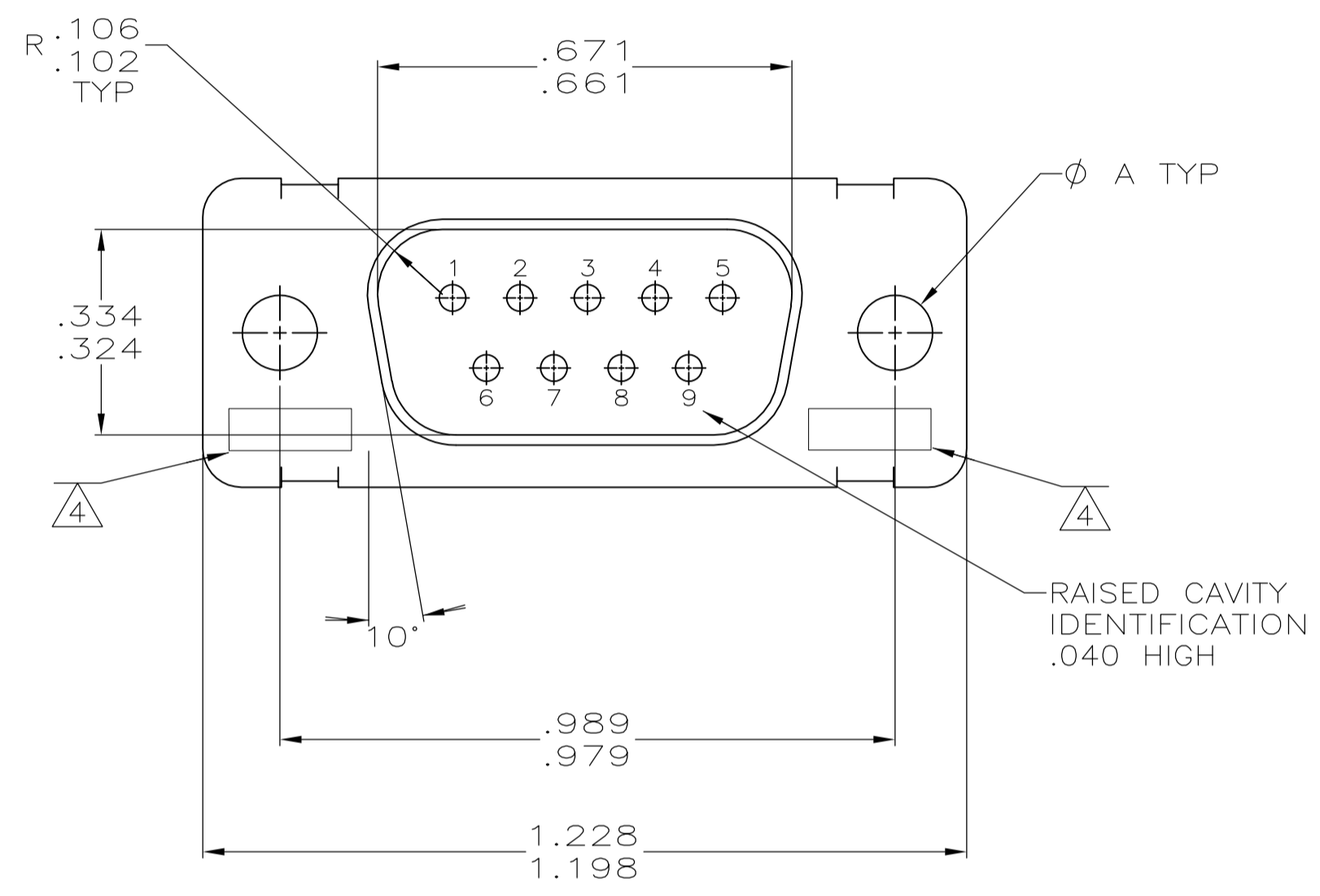


LOC		DIST		REVISIONS			
P	LTR	DESCRIPTION	DATE	DNW	APVD		
N	REV PER ECO	15-016064	11-9-15	CT	CD		



- THIS PLUG WILL MATE WITH ANY RECEPTACLE CONNECTOR WITH THE SAME INSERT ARRANGEMENT AS DEFINED BY MS18273-1.
- MAXIMUM WIRE INSULATION USED WITH THIS PLUG IS .072 DIA.
- BE CU RETENTION CLIPS ARE INCLUDED IN INSERTS.
- UL/CSA DESIGNATION STAMPED IN THIS AREA.
- THESE CONNECTORS ARE QUALIFIED TO GODDARD SPACE FLIGHT CENTER SPECIFICATION S-311-P-4.
- CONNECTOR SUPPLIED WITHOUT CONTACTS; SHOWN FOR DIMENSIONAL REFERENCE ONLY.
- CUSTOMER PART NUMBER MAY BE SPLIT BETWEEN FRONT AND REAR SHELLS, SAME SIDE. FAR SIDE REFERS TO WIDE SIDE OF KEYSTONE, NEAR SIDE REFERS TO NARROW SIDE OF KEYSTONE.
- RESTRICTED TO CAE ELECTRONICS ONLY.

	.120	570513-6	207252-6	207252-6	
	5 8	.120	311P409-1P-B-12	207252-2	207252-5
OBS		.120	2A014-001V-001	207252-4	207252-4
OBS		.120	---	207252-3	207252-3
	5	.120	311P409-1P-B-12	207252-2	207252-2
	5	.154	311P409-1P-B-15	207252-1	207252-1
REMARKS	A	INK STAMP CUSTOMER P/N	INK STAMP PART NUMBER	PART NUMBER	

THIS DRAWING IS A CONTROLLED DOCUMENT.

THOMPSON 08-12-93
THOMPSON 08-19-93
KINSEY 08-19-93
KINSEY 08-19-93

STE TE Connectivity

PLUG FOR PIN CONTACTS
SERIES 109, SIZE 1, NONMAGNETIC
9 POSITION

DIMENSIONS: INCHES	TOLERANCES UNLESS OTHERWISE SPECIFIED:	0 PLC ± -	1 PLC ± -	2 PLC ± -	3 PLC ± .005	4 PLC ± - # 2	ANGLES ± # 2
MATERIAL SEE CALLOUTS	FINISH SEE CALLOUTS	WEIGHT	SIZE A1	CAGE CODE 00779	DRAWING NO. 207252	RESTRICTED TO	

CUSTOMER DRAWING SCALE 4:1 SHEET 1 OF 1 REV N

Mouser Electronics

Authorized Distributor

Click to View Pricing, Inventory, Delivery & Lifecycle Information:

[TE Connectivity:](#)

[207252-1](#)