

PLEASE CHECK WWW.MOLEX.COM FOR LATEST PART INFORMATION

Part Number: **0643181011**
Status: **Active**
Overview: CMC and CMX Sealed, Hybrid, Modular Connectors
Description: .635mm, 1.50mm, 2.80mm, Power CMC Receptacle, 28 Circuits, Left Wire Output, Black Coding, Mat Sealed

Documents:

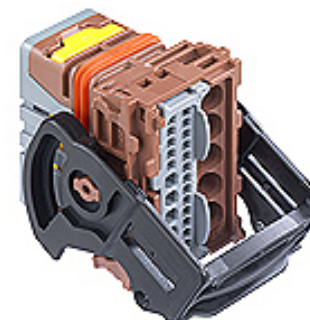
3D Model	Application Specification AS-98420-001-001 (PDF)
Drawing (PDF)	Application Specification AS-98420-001-CH-001 (PDF)
Product Specification PS-64321-001-001 (PDF)	Application Specification AS-98420-001-FR-001 (PDF)
Application Specification AS-64318-002-001 (PDF)	Application Specification AS-98420-001-SP-001 (PDF)
Application Specification AS-64318-002-CH-001 (PDF)	Packaging Specification PK-98994-001-001 (PDF)
Application Specification AS-64318-002-FR-001 (PDF)	RoHS Certificate of Compliance (PDF)
Application Specification AS-64318-002-SP-001 (PDF)	

General

Product Family	Crimp Housings
Series	64318
Application	Power, Wire-to-Board
Application Tooling Part Link	63812-1100
Application Tooling Part Link	63824-1200
Comments	* Current tested on a fully loaded connector, current for temperature increase of 40°C. Current max = 21.0A for 2.80mm Terminal (5.00mm ² wire), 12.0A for 1.50mm Terminal (2.00mm ² wire), 2.5A for 0.635mm Terminal(0.75mm ² wire) *
More Detailed Tech Information	Sealed, high-density, power, modular connecting system for Power Train and Body Electronics applications in cars, trucks, busses
Overview	CMC and CMX Sealed, Hybrid, Modular Connectors
Product Name	CMC
UPC	883906135102

Physical

Circuits (maximum)	28
Circuits Detail	5x 2.8mm, 5 x 1.5mm, 18 x 0.635mm terminals
Color - Resin	Black
Gender	Receptacle
Glow-Wire Capable	No
Keying to Mating Part	Yes
Lock to Mating Part	Yes
Material - Resin	Polyester
Net Weight	35.290/g
Number of Rows	3
Packaging Type	Carton
Panel Mount	No
Pitch - Mating Interface	2.54mm, 3.50mm, 6.75mm
Polarized to Mating Part	Yes
Stackable	No
Temperature Range - Operating	-40° to +125°C



Series image - Reference only

EU ELV

Compliant

EU RoHS

Compliant

REACH SVHC

Not Contained Per - ED/61/2018 (27 June 2018)

Halogen-Free

Status

Not Relevant

For more information, please visit [Contact US](#)

China ROHS

ELV

RoHS Phthalates

China RoHS

Not Relevant

Compliant

Not Contained

Search Parts in this Series

64318 Series

Mates With

47745 CMC Header Please Contact Molex for Details

Use With

Female Terminals 64322 CP 0.635, 64323 CP 1.5, 64324 CP 2.8 . Circuit Way Plugs, 64325-1010 , 64325-1023 , 64325-1091. CMC Wire Cap, 64320-1301 , 64325-1162 , 64325-1175 , 64325-1188 , Link :64325-1196

Electrical

Current - Maximum per Contact 12.0A, 2.5A, 21.0A

Solder Process Data

Lead-free Process Capability N/A

Material Info**Reference - Drawing Numbers**

Application Specification AS-64318-002-001, AS-64318-002-CH-001,
AS-64318-002-FR-001, AS-64318-002-SP-001,
AS-98420-001-001, AS-98420-001-CH-001,
AS-98420-001-FR-001, AS-98420-001-SP-001
Packaging Specification PK-98994-001-001
Product Specification PS-64321-001-001
Sales Drawing SD-64318-001, SD-64318-002-000

This document was generated on 10/22/2018

PLEASE CHECK WWW.MOLEX.COM FOR LATEST PART INFORMATION

Mouser Electronics

Authorized Distributor

Click to View Pricing, Inventory, Delivery & Lifecycle Information:

[Molex:](#)

[64318-1011](#)