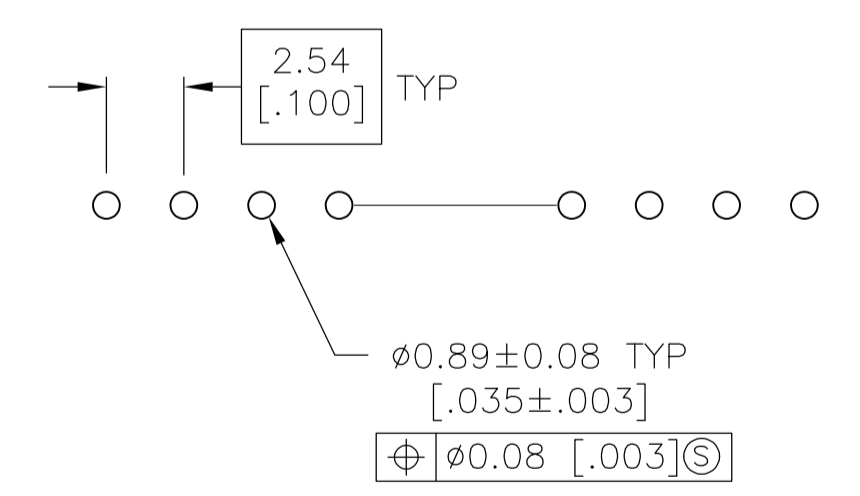
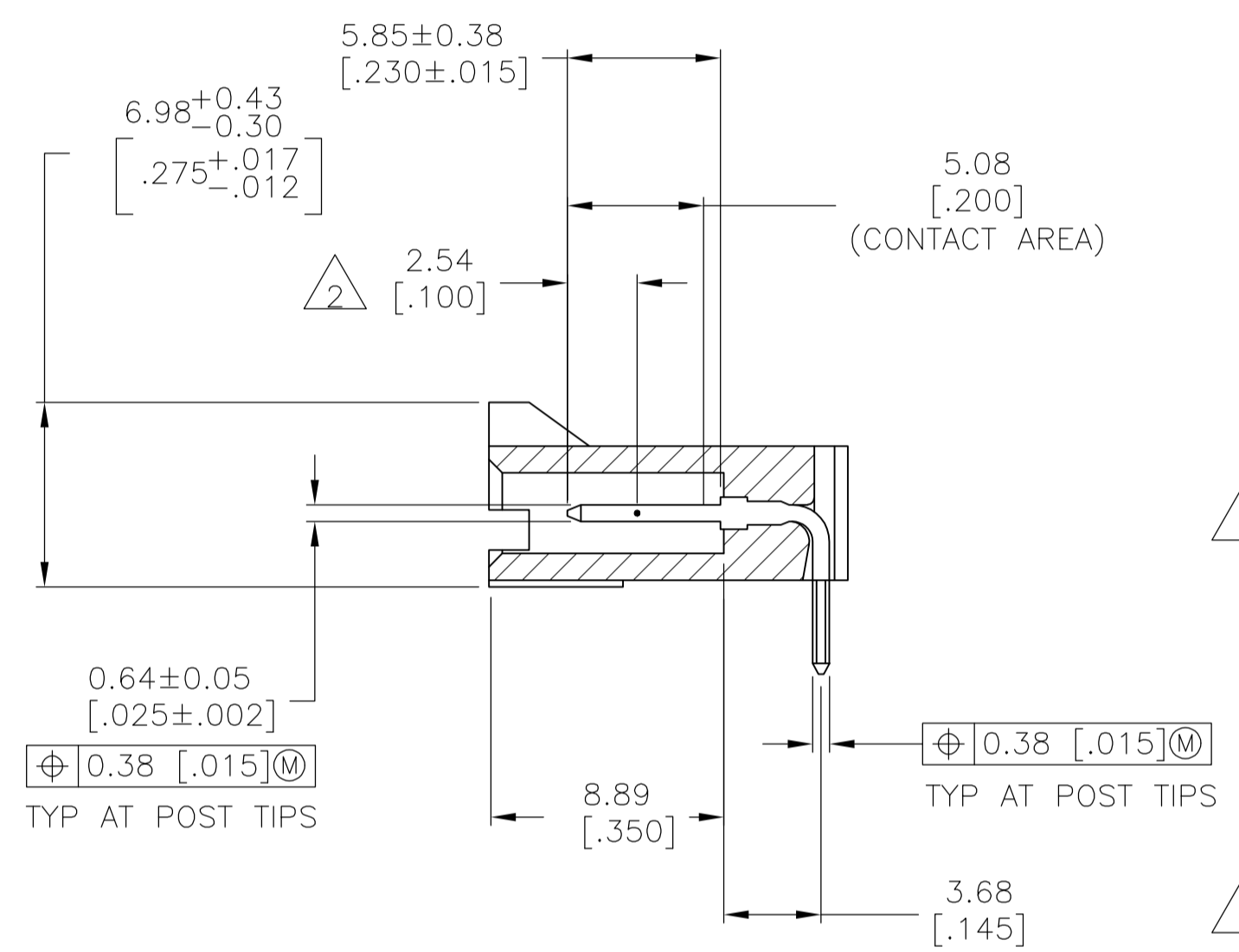
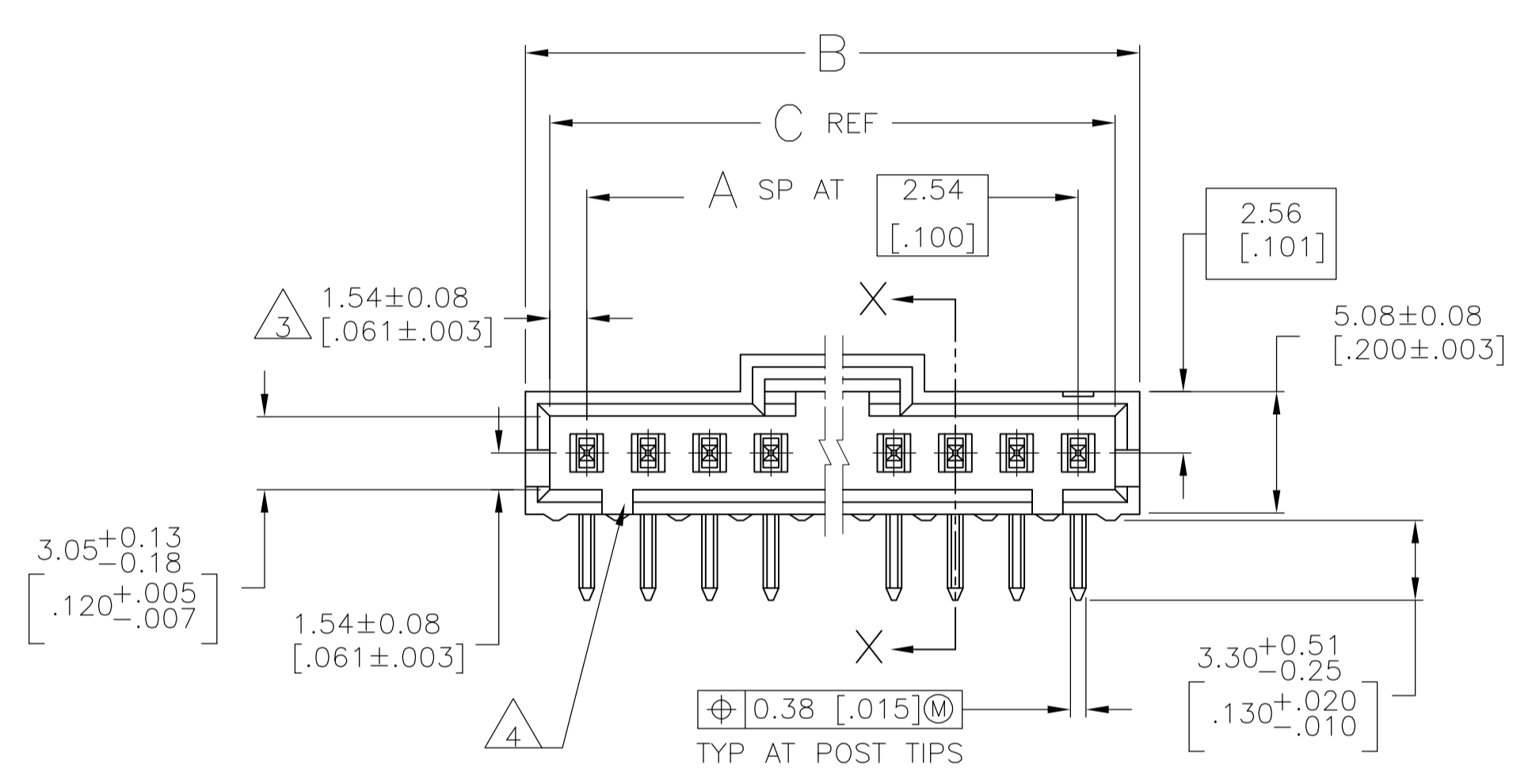
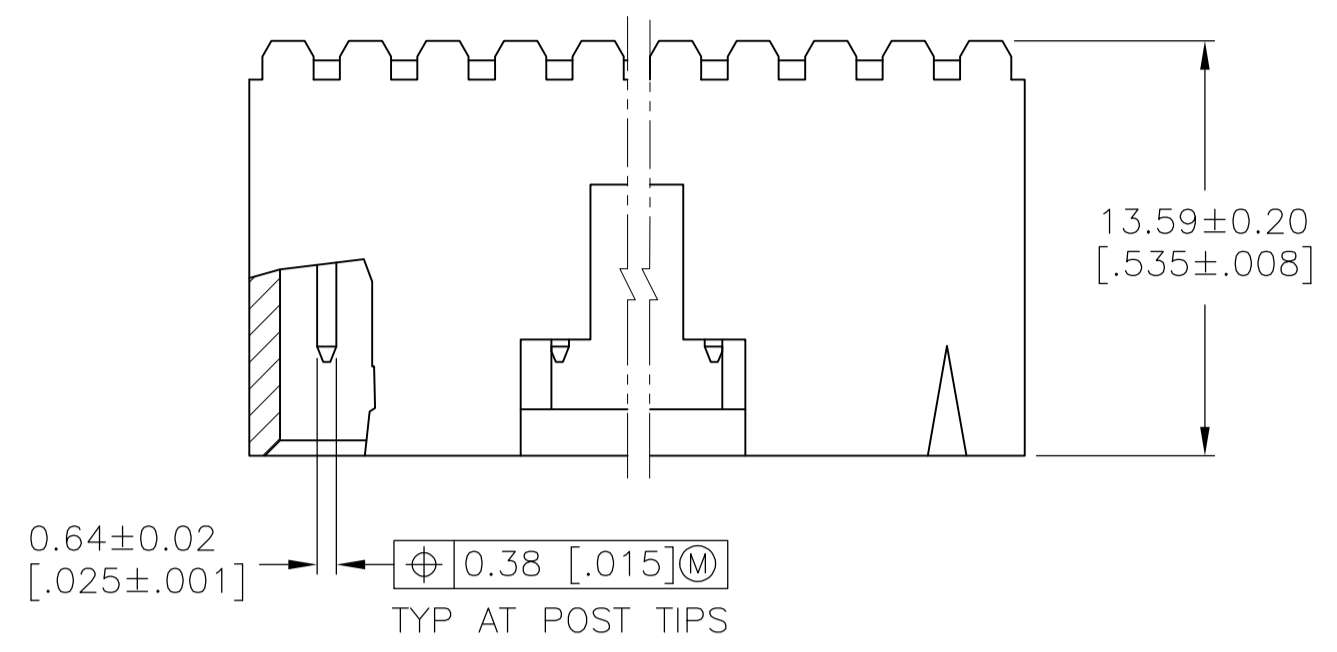


| REVISIONS | | | | | |
|-----------|-----|---------------------------|-----------|-----|------|
| P | LTR | DESCRIPTION | DATE | DMN | APVD |
| S3 | | REVISED PER ECO-16-013470 | 20SEP2016 | BW | MM |
| T | | REVISED PER ECO-17-002584 | 11APR2017 | BDA | MM |

- 1 .00038 [.000015] GOLD IN THE CONTACT AREA, .00254 [.000100] MATTE TIN-LEAD ON THE REMAINDER OF CONTACT, ALL OVER .00127 [.000050] NICKEL.
- 2 POINT OF MEASUREMENT FOR PLATING THICKNESS.
- 3 THE NOTED DIMENSIONS APPLY AT THE INTERSECTION OF THE POST AND THE HOUSING.
- 4 ON ASSEMBLIES WITH FOUR OR MORE POSITIONS, TWO POLARIZATION SLOTS. ON ASSEMBLIES WITH TWO OR THREE POSITIONS, ONE POLARIZATION SLOT.
- 5 .00038 [.000015] GOLD IN THE CONTACT AREA, .00254 [.000100] MATTE TIN ON THE REMAINDER OF CONTACT, ALL OVER .00127 [.000050] NICKEL.
- 6 HIGH TEMPERATURE CONFIGURATION
- 7 OBSOLETE PARTS: OBSOLETE CIS STREAMLINING PER D.RENAUD/D.SINISI



7 OBSOLETE
 7 SUPERSEDED BY 7-103635-1
 7 OBSOLETE
 7 OBSOLETE
 7 SUPERSEDED BY 6-103635-6

| REMARK | PLATING | C | B | A | NO. OF POSN | PART NO. |
|--------|---------|---------------|---------------|----|-------------|------------|
| 1 | | 64.01 [2.520] | 65.91 [2.595] | 24 | 25 | 2-103635-4 |
| 1 | | 61.47 [2.420] | 63.37 [2.495] | 23 | 24 | 2-103635-3 |
| 1 | | 58.93 [2.320] | 60.83 [2.395] | 22 | 23 | 2-103635-2 |
| 1 | | 56.39 [2.220] | 58.29 [2.295] | 21 | 22 | 2-103635-1 |
| 1 | | 53.85 [2.120] | 55.75 [2.195] | 20 | 21 | 2-103635-0 |
| 1 | | 51.31 [2.020] | 53.21 [2.095] | 19 | 20 | 1-103635-9 |
| 1 | | 48.77 [1.920] | 50.67 [1.995] | 18 | 19 | 1-103635-8 |
| 1 | | 46.23 [1.820] | 48.13 [1.895] | 17 | 18 | 1-103635-7 |
| 1 | | 43.69 [1.720] | 45.59 [1.795] | 16 | 17 | 1-103635-6 |
| 1 | | 41.15 [1.620] | 43.05 [1.695] | 15 | 16 | 1-103635-5 |
| 1 | | 38.61 [1.520] | 40.51 [1.595] | 14 | 15 | 1-103635-4 |
| 1 | | 36.07 [1.420] | 37.97 [1.495] | 13 | 14 | 1-103635-3 |
| 1 | | 33.53 [1.320] | 35.43 [1.395] | 12 | 13 | 1-103635-2 |
| 1 | | 30.99 [1.220] | 32.89 [1.295] | 11 | 12 | 1-103635-1 |
| 1 | | 28.45 [1.120] | 30.35 [1.195] | 10 | 11 | 1-103635-0 |
| 1 | | 25.91 [1.020] | 27.81 [1.095] | 9 | 10 | 103635-9 |
| 1 | | 23.37 [.920] | 25.27 [.995] | 8 | 9 | 103635-8 |
| 1 | | 20.83 [.820] | 22.73 [.895] | 7 | 8 | 103635-7 |
| 1 | | 18.29 [.720] | 20.19 [.795] | 6 | 7 | 103635-6 |
| 1 | | 15.75 [.620] | 17.65 [.695] | 5 | 6 | 103635-5 |
| 1 | | 13.21 [.520] | 15.11 [.595] | 4 | 5 | 103635-4 |
| 1 | | 10.67 [.420] | 12.57 [.495] | 3 | 4 | 103635-3 |
| 1 | | 8.13 [.320] | 10.03 [.395] | 2 | 3 | 103635-2 |
| 1 | | 5.59 [.220] | 7.49 [.295] | 1 | 2 | 103635-1 |

THIS DRAWING IS A CONTROLLED DOCUMENT. DIMENSIONS: mm [INCHES]. TOLERANCES UNLESS OTHERWISE SPECIFIED: 0 PLC ± -, 1 PLC ± -, 2 PLC ± -, 3 PLC ± .005, 4 PLC ± -. ANGLES ± -.


DIN S. SHUEY 5-3-91
 CHK: L. CASTAGNA 27-3-91
 APVD: L. CASTAGNA 27-3-91

TE Connectivity
 NAME: HDRASSY, RTANG, SGLEROW
 PRODUCT SPEC: 2.54[.100]C/L, 0.64[.025]SOPST, WITH PLZLN&LATCHING, AMPMODUM TME
 APPLICATION SPEC: 108-25034
 SIZE: 114-25026
 WEIGHT: -
 CUSTOMER DRAWING

SCALE: 4:1 SHEET 1 OF 2 REV T

| REVISIONS | | | | | |
|-----------|-----|-------------|------|-----|------|
| P | LYR | DESCRIPTION | DATE | DMN | APVD |
| - | | SEE SHEET 1 | - | - | - |

| | | | | | | | | | | |
|----|----------|----|----|------------------|------------------|----|----|-----------------------|-------------|----------|
| | | △6 | △5 | 64.01 [2.520] | 65.91 [2.595] | 24 | 25 | 7-103635-4 | | |
| | | △6 | △5 | 61.47 [2.420] | 63.37 [2.495] | 23 | 24 | 7-103635-3 | | |
| △7 | OBSOLETE | △6 | △5 | 58.93 [2.320] | 60.83 [2.395] | 22 | 23 | 7-103635-2 | | |
| | | △6 | △5 | 56.39 [2.220] | 58.29 [2.295] | 21 | 22 | 7-103635-1 | | |
| △7 | OBSOLETE | △6 | △5 | 53.85 [2.120] | 55.75 [2.195] | 20 | 21 | 7-103635-0 | | |
| | | △6 | △5 | 51.31 [2.020] | 53.21 [2.095] | 19 | 20 | 6-103635-9 | | |
| △7 | OBSOLETE | △6 | △5 | 48.77 [1.920] | 50.67 [1.995] | 18 | 19 | 6-103635-8 | | |
| | | △6 | △5 | 46.23 [1.820] | 48.13 [1.895] | 17 | 18 | 6-103635-7 | | |
| | | △6 | △5 | 43.69 [1.720] | 45.59 [1.795] | 16 | 17 | 6-103635-6 | | |
| | | △6 | △5 | 41.15 [1.620] | 43.05 [1.695] | 15 | 16 | 6-103635-5 | | |
| | | △6 | △5 | 38.61 [1.520] | 40.51 [1.595] | 14 | 15 | 6-103635-4 | | |
| | | △6 | △5 | 36.07 [1.420] | 37.97 [1.495] | 13 | 14 | 6-103635-3 | | |
| | | △6 | △5 | 33.53 [1.320] | 35.43 [1.395] | 12 | 13 | 6-103635-2 | | |
| | | △6 | △5 | 30.99 [1.220] | 32.89 [1.295] | 11 | 12 | 6-103635-1 | | |
| | | △6 | △5 | 28.45 [1.120] | 30.35 [1.195] | 10 | 11 | 6-103635-0 | | |
| | | △6 | △5 | 25.91 [1.020] | 27.81 [1.095] | 9 | 10 | 5-103635-9 | | |
| | | △6 | △5 | 23.37 [.920] | 25.27 [.995] | 8 | 9 | 5-103635-8 | | |
| | | △6 | △5 | 20.83 [.820] | 22.73 [.895] | 7 | 8 | 5-103635-7 | | |
| | | △6 | △5 | 18.29 [.720] | 20.19 [.795] | 6 | 7 | 5-103635-6 | | |
| | | △6 | △5 | 15.75 [.620] | 17.65 [.695] | 5 | 6 | 5-103635-5 | | |
| | | △6 | △5 | 13.21 [.520] | 15.11 [.595] | 4 | 5 | 5-103635-4 | | |
| | | △6 | △5 | 10.67 [.420] | 12.57 [.495] | 3 | 4 | 5-103635-3 | | |
| | | △6 | △5 | 8.13 [.320] | 10.03 [.395] | 2 | 3 | 5-103635-2 | | |
| | | △6 | △5 | 5.59 [.220] | 7.49 [.295] | 1 | 2 | 5-103635-1 | | |
| | | | | REMARKS | PLATING | C | B | A | NO. OF POSN | PART NO. |

| | | | | |
|---|--|-----------------------------------|---|--|
| THIS DRAWING IS A CONTROLLED DOCUMENT. | | DMN S. SHUEY 5-3-91 |  TE Connectivity | |
| DIMENSIONS: mm [INCHES] | | CHK L. CASTAGNA 27-3-91 | | |
| TOLERANCES UNLESS OTHERWISE SPECIFIED: | | APVD L. CASTAGNA 27-3-91 | NAME HDRASSY, RTANG, SGLEROW | |
| 0. PLC ± - | | PRODUCT SPEC 108-25034 | | |
| 1. PLC ± - | | APPLICATION SPEC 114-25026 | | |
| 2. PLC ± - | | SIZE A1 | | |
| 3. PLC ± - | | CAGE CODE 00779 | | |
| 4. PLC ± - | | DRAWING NO. 103635 | | |
| ANGLES ± - | | RESTRICTED TO CUSTOMER DRAWING | | |
| MATERIAL: HOUSING: PLATE: RETENANT: CSOR: BLACK: CONTACT: BRASS | | SCALE: 1:1 SHEET 2 OF 2 REV T | | |

Mouser Electronics

Authorized Distributor

Click to View Pricing, Inventory, Delivery & Lifecycle Information:

[TE Connectivity:](#)

[5-103635-3](#)