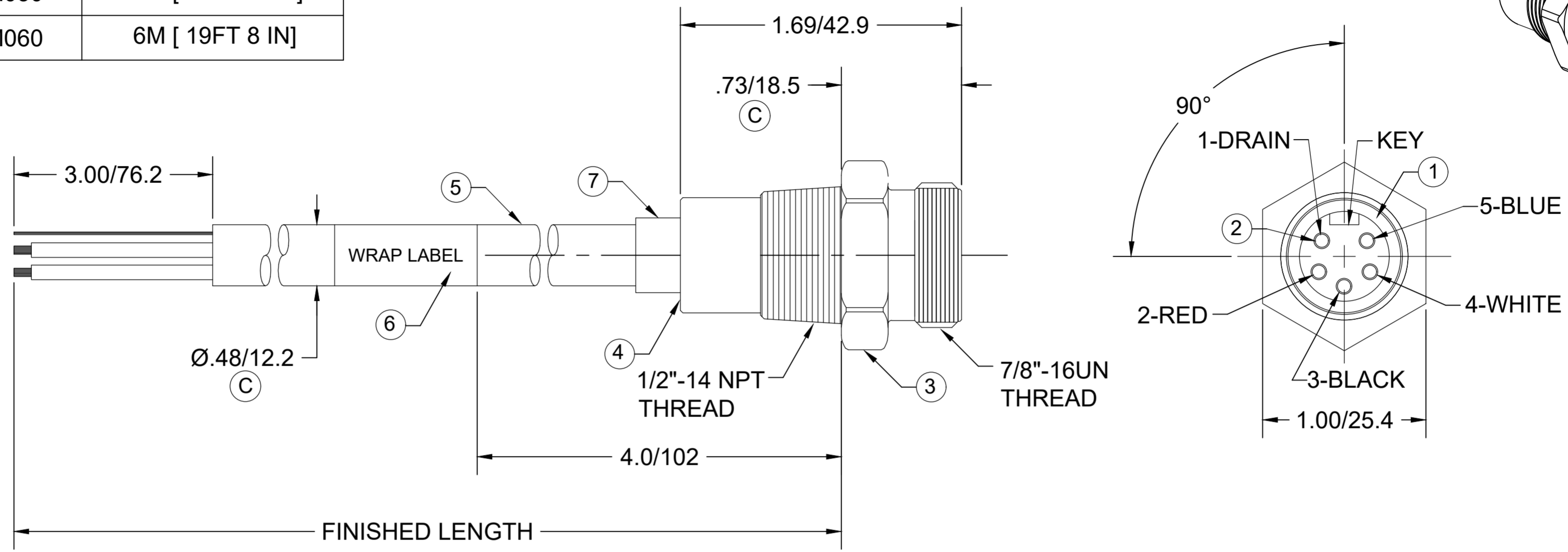


MATERIAL NUMBER	ENGINEERING NUMBER	FINISHED LENGTH
1300390296	DN5100-M003	0.3M [1FT]
1300390301	DN5100-M030	3M [9FT 10 IN]
1300390304	DN5100-M060	6M [19FT 8 IN]

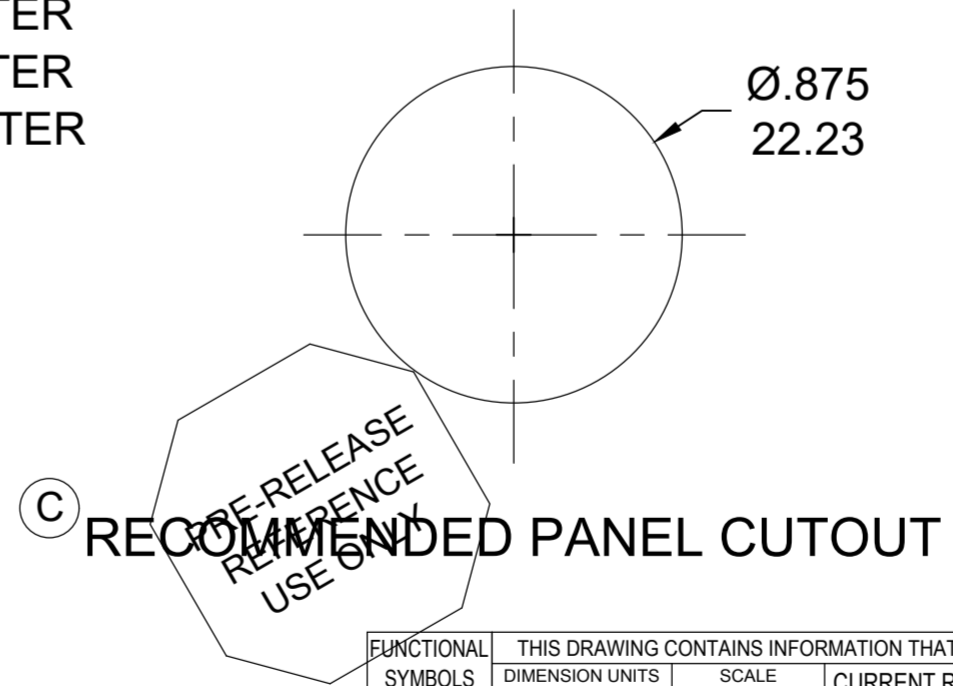


- NOTES:
- MATERIAL: AS NOTED
 - FINISH: AS NOTED
 - ELECTRICAL:
VOLTAGE RATING PER IEC 60664: 300V
VOLTAGE RATING PER UL: 300V
CURRENT: 4A
 - TEMP RATING: -20° TO +60°C
 - PROTECTION: IP67 (WHEN MATED)
 - COUPLING THREAD- AS NOTED
 - UL LISTED FILE: E152210
CSA CERTIFIED FILE: LR6837
 - ALL DIMENSIONS ARE FOR REFERENCE UNLESS TOLERANCED OR NOTED OTHERWISE

PART NO. MATRIX
DN5100M003

LENGTH
M003 = .3 METER
M030 = 3 METER
M300 = 30 METER

ITEM	COMPONENT	MATERIAL	FINISH
1	INSERT	TPE	GRAY
2	CONTACT PIN	COPPER ALLOY	GOLD OVER NICKEL
3	RECEPTACLE SHELL	ZINC	NICKEL
4	POTTING MATERIAL	EPOXY	BLACK
5	TRUNK CABLE 2/15 & 2/18 SHIELD PAIR	PVC	GRAY
6	LABEL	VINYL	BLACK/YELLOW
7	HEAT SHRINK TUBING	POLYOLEFIN	BLACK



CABLE LENGTH TOLERANCES

>.3M [1FT]:	+19mm-0 [+.75in-0]
.3 - .9M [1 - 3FT]:	+44.5mm-0 [+1.75in-0]
.9 - 1.8M [3 - 6FT]:	+55.6mm-0 [+2.19in-0]
1.8 - 3.7M [6 - 12FT]:	+88.9mm-0 [+3.50in-0]
3.7 - 7.3M [12 - 24FT]:	+165.1mm-0 [+6.50in-0]
7.3-14.6M [24 - 48FT]:	+317.5mm-0 [+12.50in-0]
14.6 - 30.5M [48-100FT]:	+622.3mm-0 [+24.50in-0]
OVER 30M [100FT]	+2% OF FINISHED LENGTH

THIS DRAWING CONTAINS INFORMATION THAT IS PROPRIETARY TO MOLEX ELECTRONIC TECHNOLOGIES, LLC AND SHOULD NOT BE USED WITHOUT WRITTEN PERMISSION

FUNCTIONAL SYMBOLS	DIMENSION UNITS	SCALE	CURRENT REV DESC: ITEM #1 WAS PVC. NOTES: DIM ADDED ZONE G6 & F9. ADDED PANEL CUTOUT. MODIFIED MATERIAL TABLE
FA=0	INCH/MM	NTS	
FC=0	GENERAL TOLERANCES (UNLESS SPECIFIED)		
FP=0	mm	INCH	
DIVISIONAL SYMBOLS	4 PLACES	±----	±----
	3 PLACES	±----	±----
	2 PLACES	±----	±----
	1 PLACE	±----	±----
	0 PLACES	±----	±----
	ANGULAR TOL	± ---- °	
	DRAFT WHERE APPLICABLE MUST REMAIN WITHIN DIMENSIONS	THIRD ANGLE PROJECTION	DRAWING C-SIZE
			SERIES 130039
			MATERIAL NUMBER SEE CHART
			CUSTOMER GENERAL MARKET
			SHEET NUMBER 1 OF 1

EC NO: 643513
DRWN: ABENJAMINLW 2020/07/28
CHK'D: RSTONE 2020/08/28
APPR: ----
INITIAL REVISION:
DRWN: BWOODMAN 2009/03/12
APPR: JFMURPHY 2009/03/31

molex
MINI-CHANGE RECEPTACLE, A-SIZE
5 POLE, MALE, STRAIGHT, SINGLE KEY,
15/18 AWG DEVICENET

PRODUCT CUSTOMER DRAWING
DOCUMENT NUMBER: SD-130039-001
DOC TYPE/DOC PART/REVISION: PSD 001 C