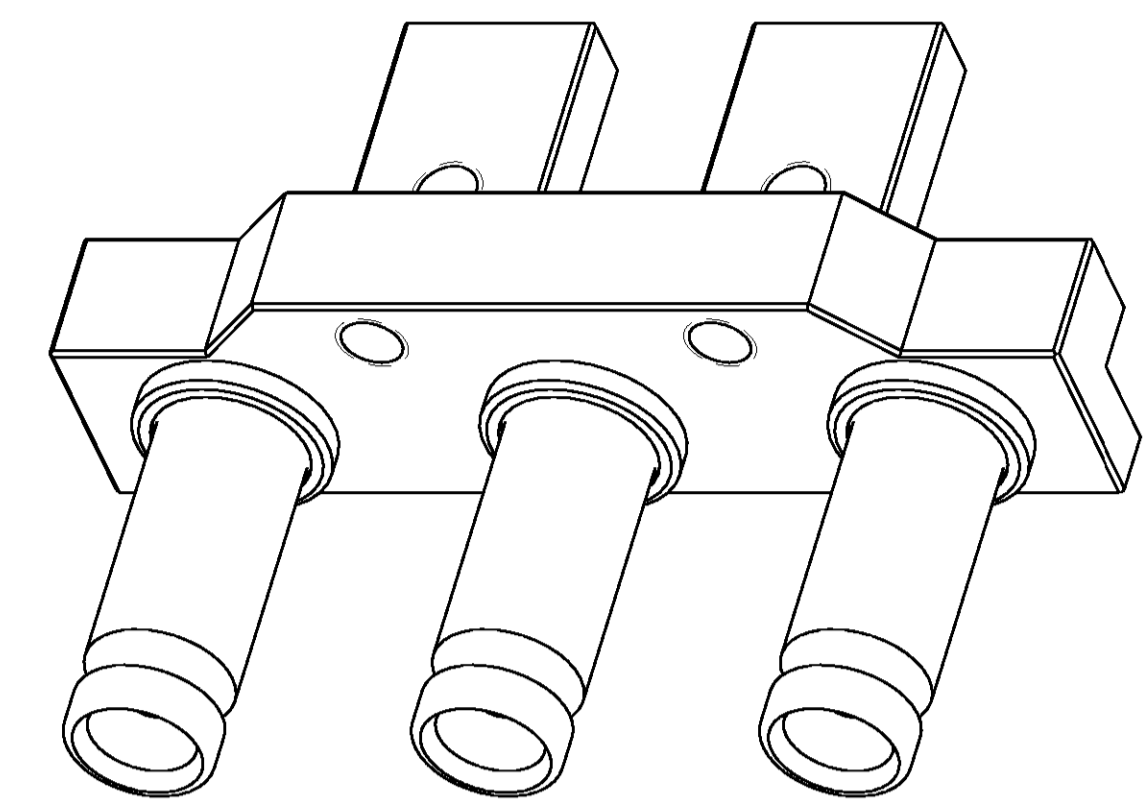
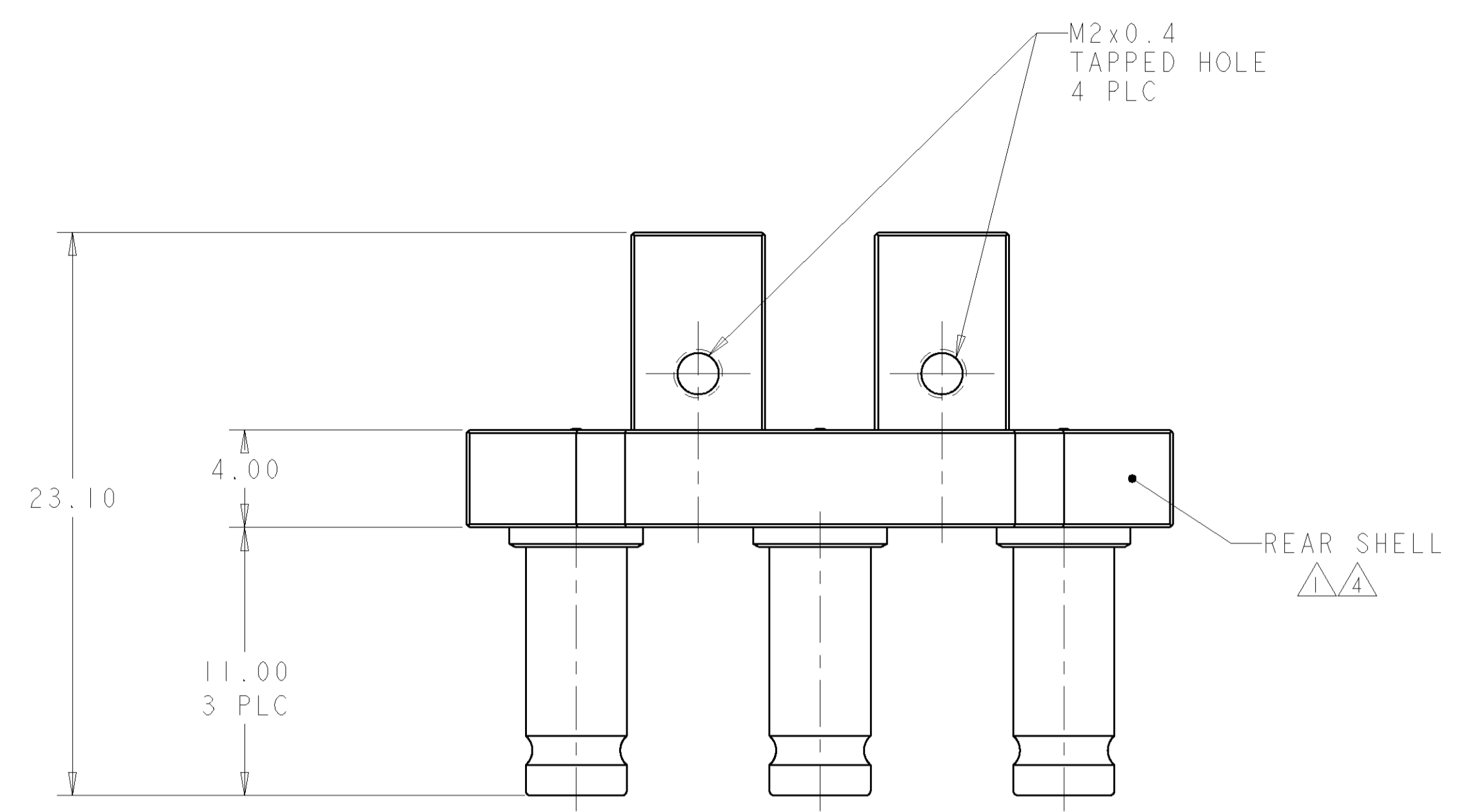
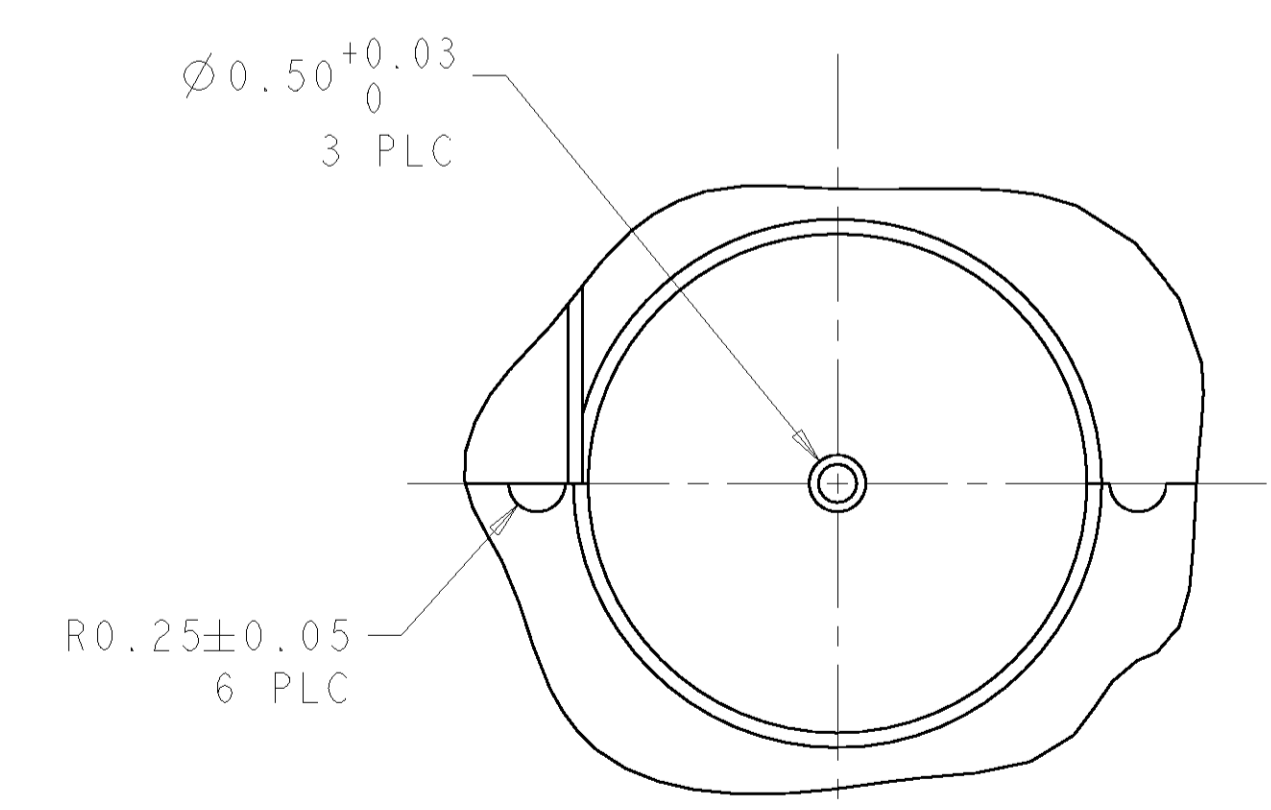
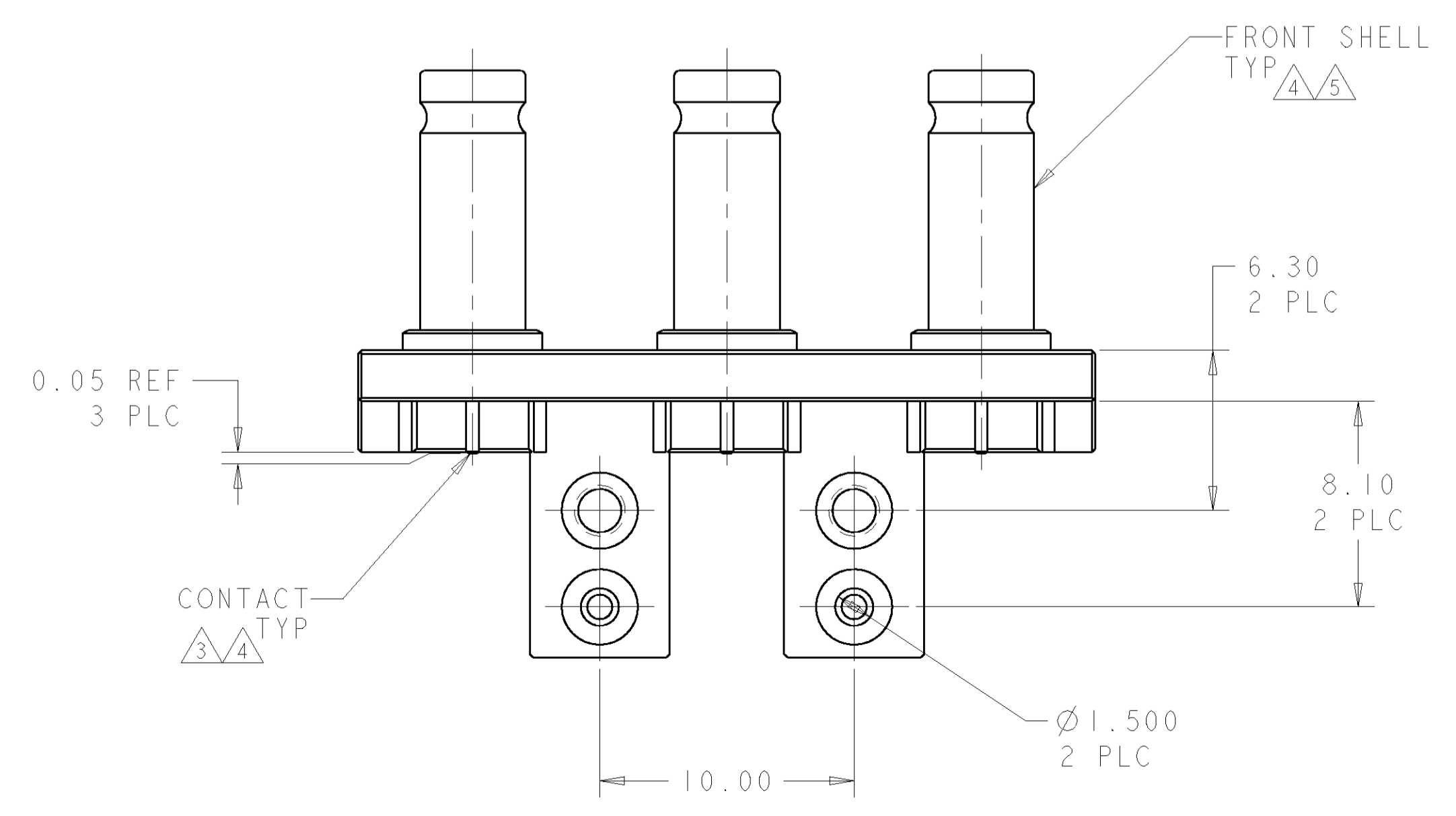
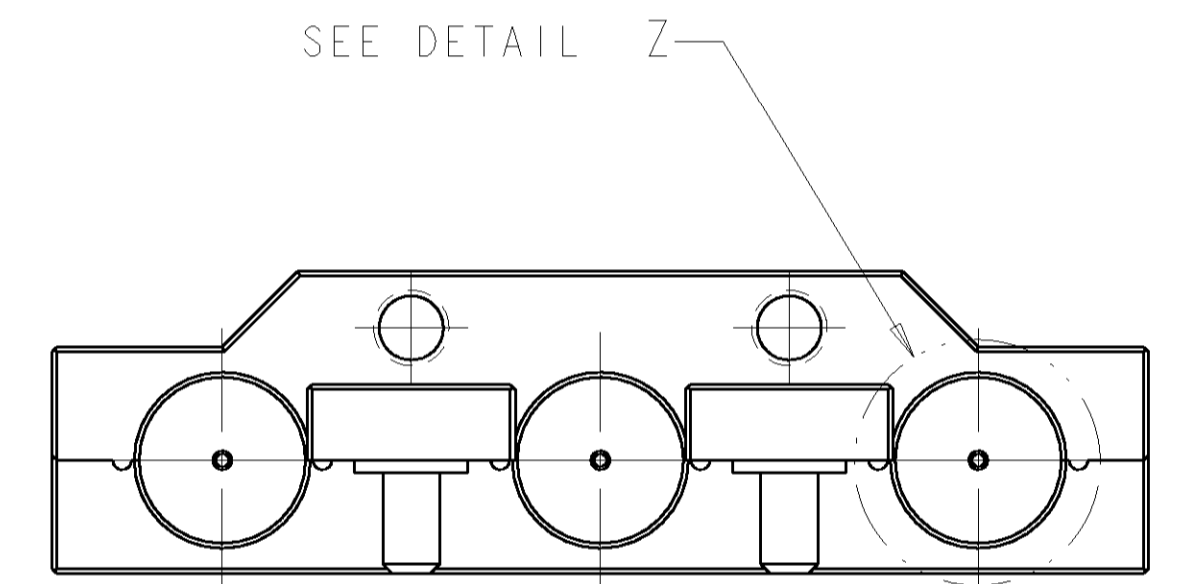
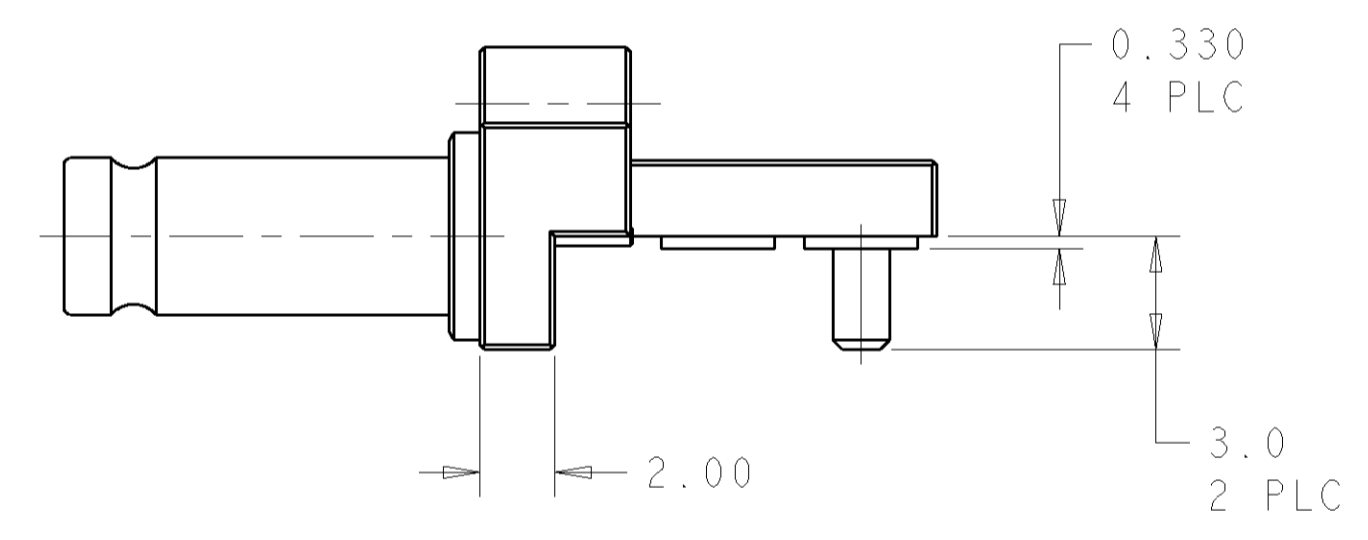
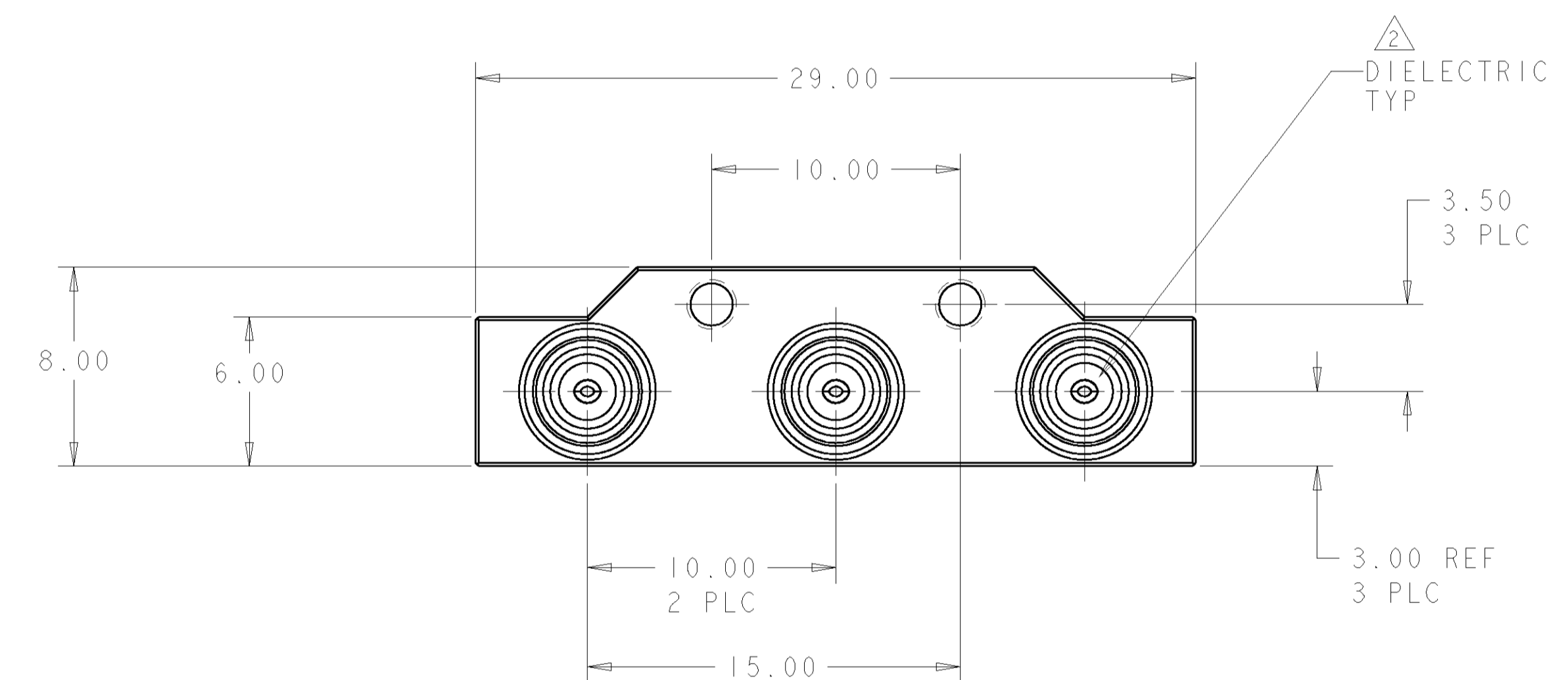


LOC		DIST		REVISIONS			
P	LTR	DESCRIPTION	DATE	DWN	APVD		
A		RELEASED PER ECO-06-015764	13JUL2006	KS	KW		



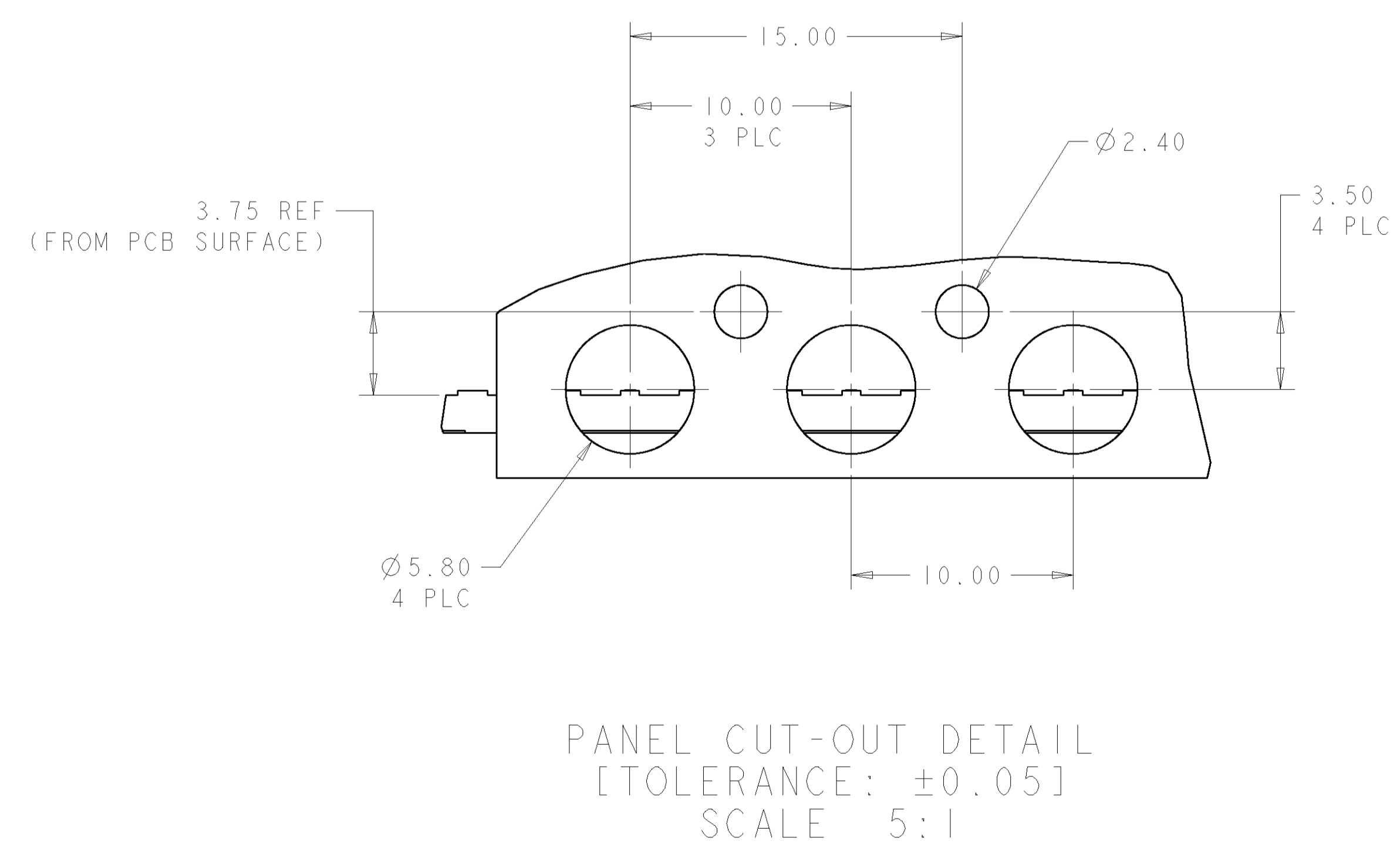
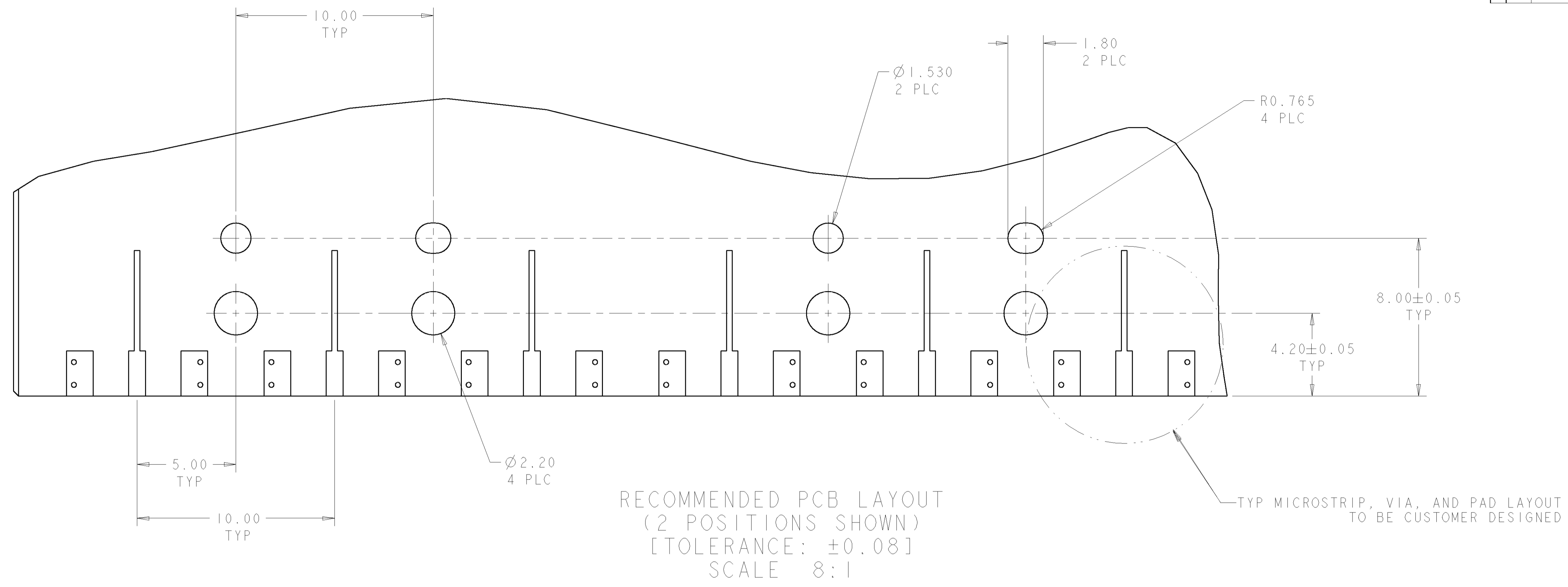
- △ ZINC PER ASTM B 86
- △ PTFE PER ASTM D 1710
- △ BERYLLIUM COPPER PER ASTM B 196
- △ GOLD PLATE PER ASTM B 488
- △ BRASS PER ASTM B 16
- 6. CONNECTOR INTERFACE PER CECC 22 230
- 7. CONNECTOR DESIGNED FOR 0.15 NOMINAL SOLDER PASTE THICKNESS
- 8. CONNECTOR DESIGNED FOR 2.03 NOMINAL PANEL THICKNESS
- 9. CONNECTOR DESIGNED FOR PCB AND PANEL ATTACHMENT WITH M2x0.4 PAN HEAD SCREW. HEAD 4.0 DIA MAX
- 10. PRODUCT HAS NOT COMPLETED VALIDATION TESTING



1274714-2  
PART NUMBER

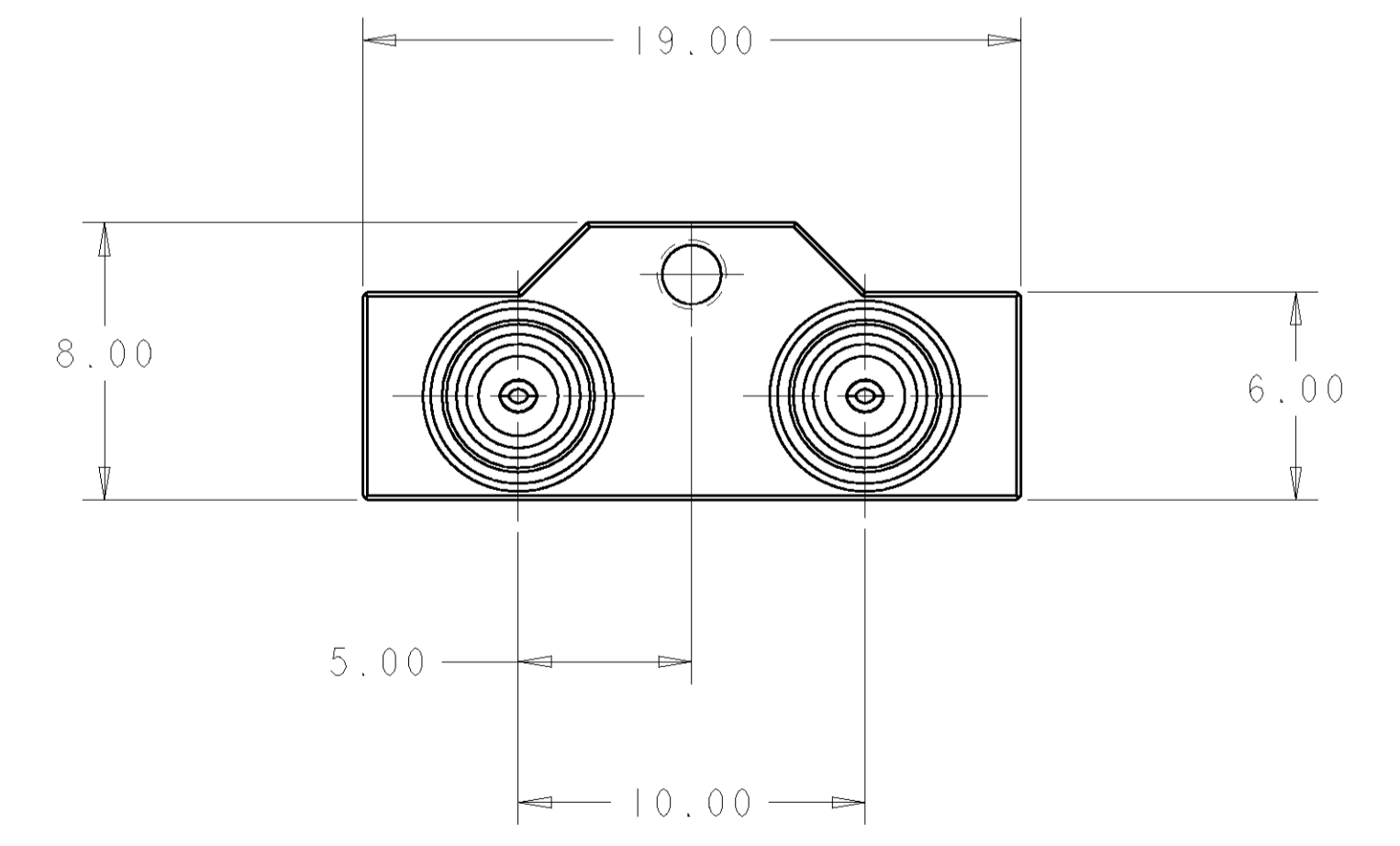
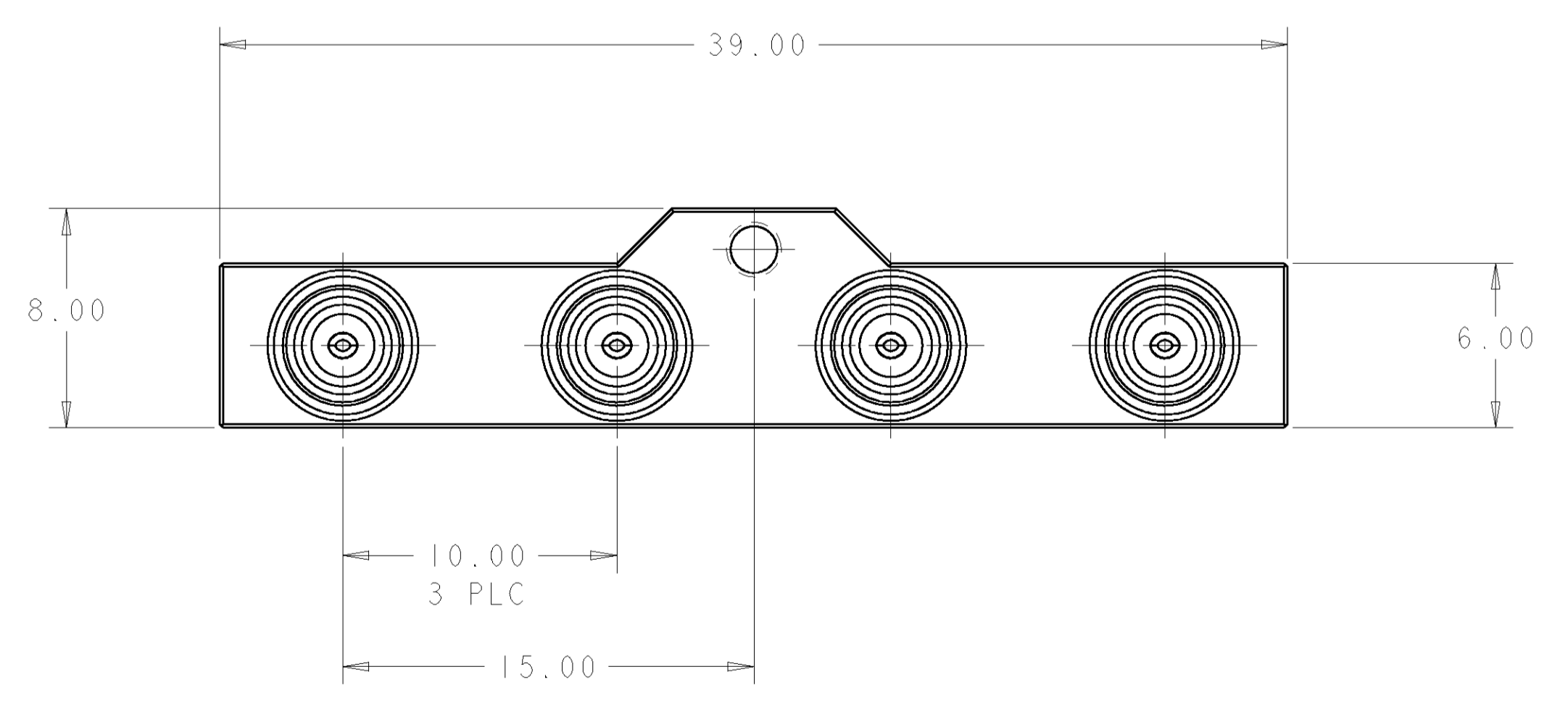
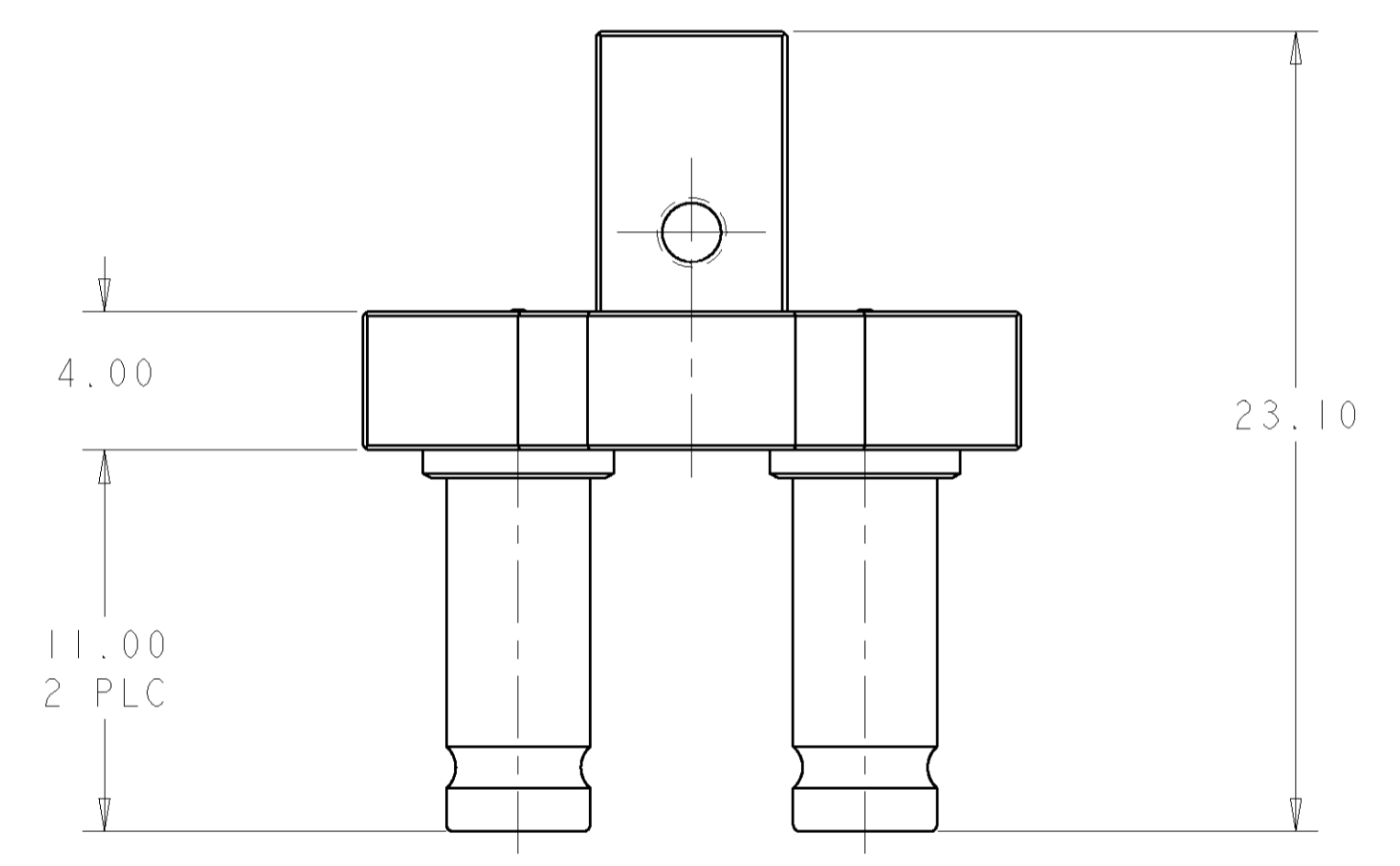
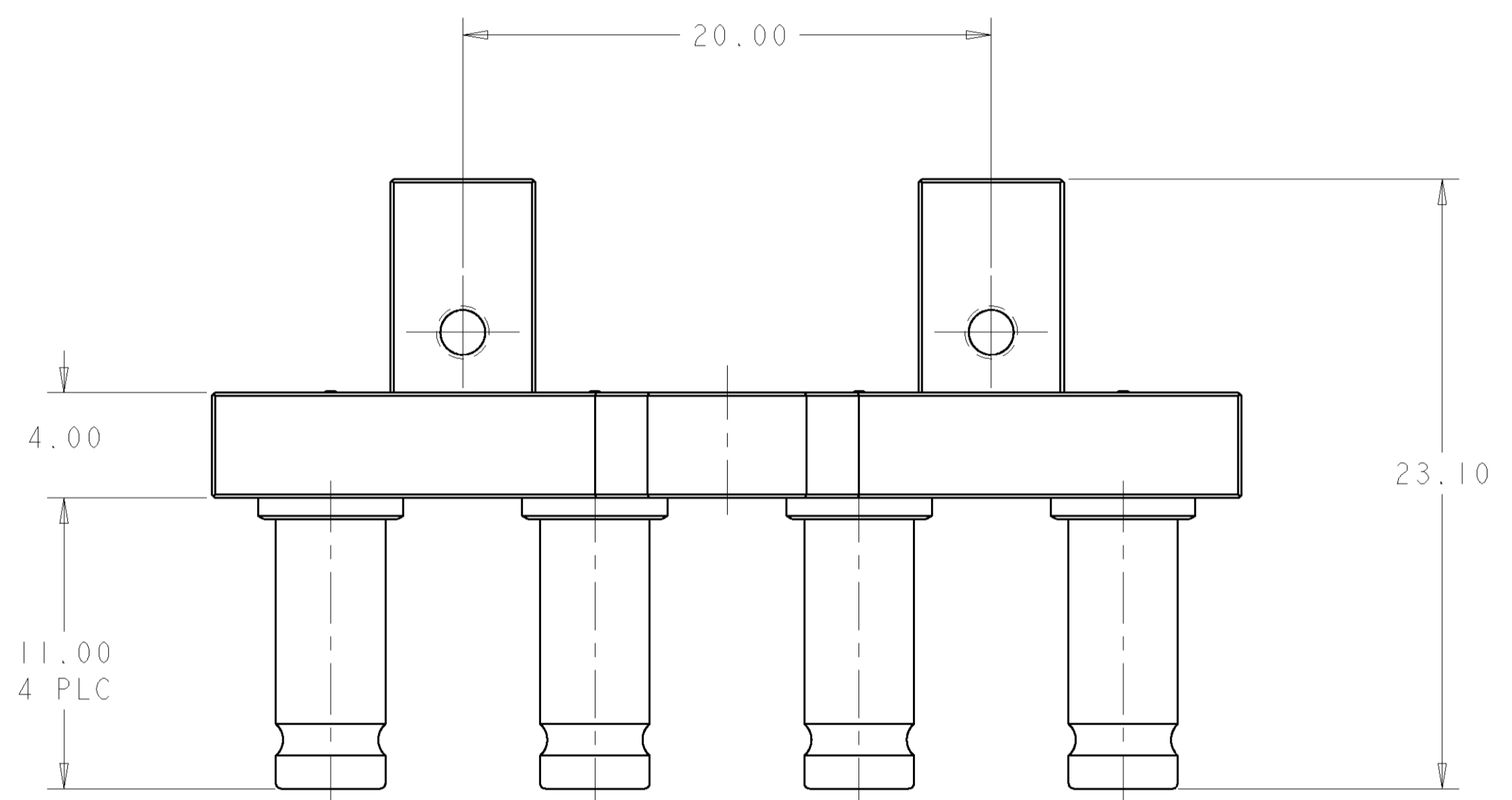
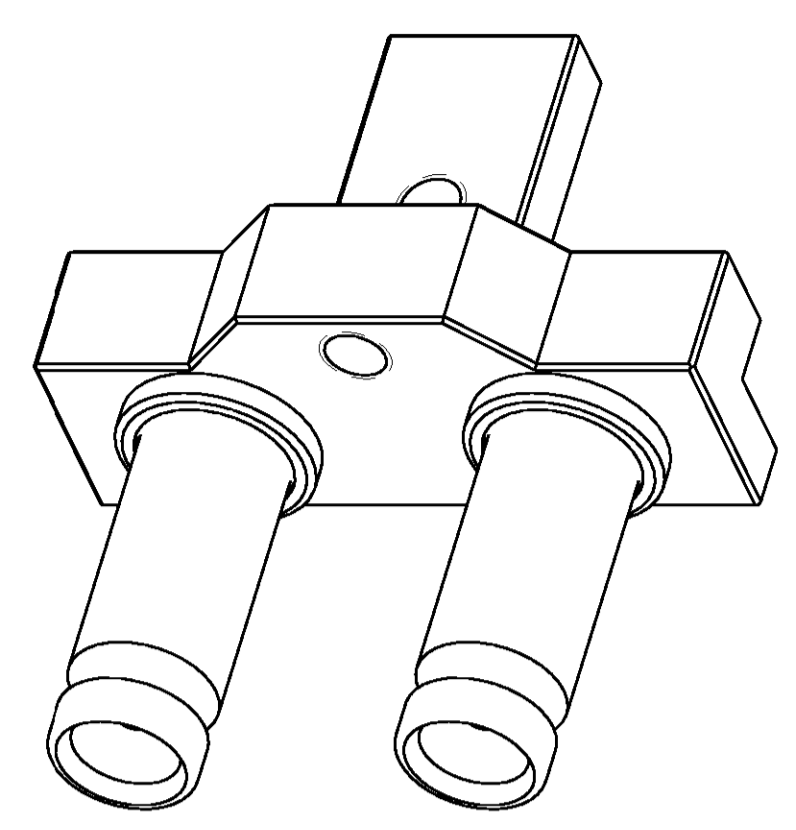
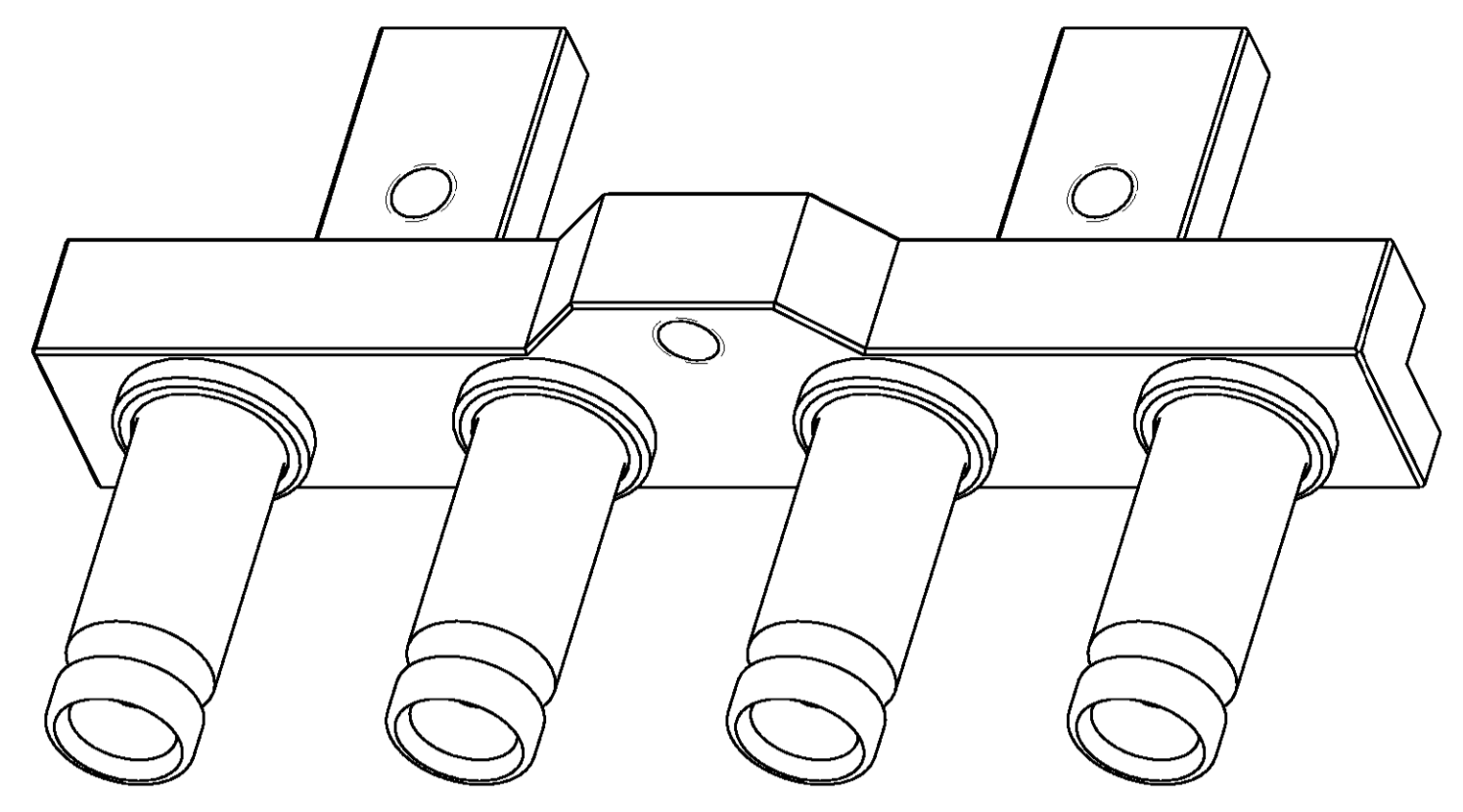
DIMENSIONS:		TOLERANCES UNLESS OTHERWISE SPECIFIED:		DWN DK SCHRUM 11JAN2006		Tyco Electronics	
mm	0 PLC ±	1 PLC ±0.26	2 PLC ±0.13	3 PLC ±0.013	4 PLC ±	11JAN2006	Harrisburg, PA 17105-3608
	ANGLES	FINISH					
MATERIAL				PRODUCT SPEC	108-71032	NAME	ASSEMBLY, JACK, 3 POSITION, DIN 1.0/2.3, 75 Ohm
				APPLICATION SPEC		SIZE	CAGE CODE DRAWING NO
				WEIGHT		A100779	C=1274714
				CUSTOMER DRAWING		SCALE	5:1 SHEET 1 OF 3 REV A

LOC	DIST	REVISIONS			
P	LTR	DESCRIPTION	DATE	DRN	APVD
AJ	16	SEE SHEET 1	-	-	-



<small>THE DIMENSIONS IN THIS DRAWING ARE UNLESS OTHERWISE SPECIFIED IN THE TOLERANCES UNLESS OTHERWISE SPECIFIED: DIMENSIONS IN MILLIMETERS</small>		DRN: DK SCHRUM 11 JAN 2006 CHK: K WEIDNER 11 JAN 2006 APVD: K WEIDNER 11 JAN 2006	<b>tyco</b> Tyco Electronics Harrisburg, PA 17105-3608
DIMENSIONS: mm 	TOLERANCES UNLESS OTHERWISE SPECIFIED: 0 PLC ± 1 PLC ±0.26 2 PLC ±0.13 3 PLC ±0.013 4 PLC ± ANGLES ±	NAME: ASSEMBLY, JACK, 3 POSITION, DIN 1.0/2.3, 75 Ohm PRODUCT SPEC: 108-71032 APPLICATION SPEC:	SIZE: A CAGE CODE: 00779 DRAWING NO: C-1274714 RESTRICTED TO:
MATERIAL: -	FINISH: -	WEIGHT: -	SCALE: 4:1 SHEET 2 OF 3 REV A
CUSTOMER DRAWING			

LOC	DIST	REVISIONS			
P	LTR	DESCRIPTION	DATE	DNW	APVD
AJ	16	SEE SHEET 1	-	-	-



1274714-1  
(PRELIMINARY)

1274714-3  
(PRELIMINARY)

PARTS ON THIS SHEET ARE  
**PRELIMINARY**  
 NOT RELEASED FOR PRODUCTION

<small>THIS DRAWING IS UNPUBLISHED. RELEASED FOR PUBLICATION BY TYCO ELECTRONICS CORPORATION. ALL RIGHTS RESERVED.</small>		DWN DK SCHRUM 11JAN2006 ENW K WEIDNER 11JAN2006 APVD K WEIDNER 11JAN2006	<b>tyco</b> Electronics Tyco Electronics Harrisburg, PA 17105-3608
DIMENSIONS: mm 	TOLERANCES UNLESS OTHERWISE SPECIFIED: 0 PLC ± 1 PLC ±0.26 2 PLC ±0.13 3 PLC ±0.13 4 PLC ± ANGLES ± FINISH ±	NAME ASSEMBLY, JACK, 3 POSITION, DIN 1.0/2.3, 75 Ohm PRODUCT SPEC 108-71032 APPLICATION SPEC	SIZE CAGE CODE DRAWING NO RESTRICTED TO A 100779 C-1274714 -
MATERIAL -	FINISH -	WEIGHT -	SCALE 5:1 SHEET 3 OF 3 REV A
CUSTOMER DRAWING			

# Mouser Electronics

Authorized Distributor

Click to View Pricing, Inventory, Delivery & Lifecycle Information:

[TE Connectivity:](#)

[1274714-2](#)