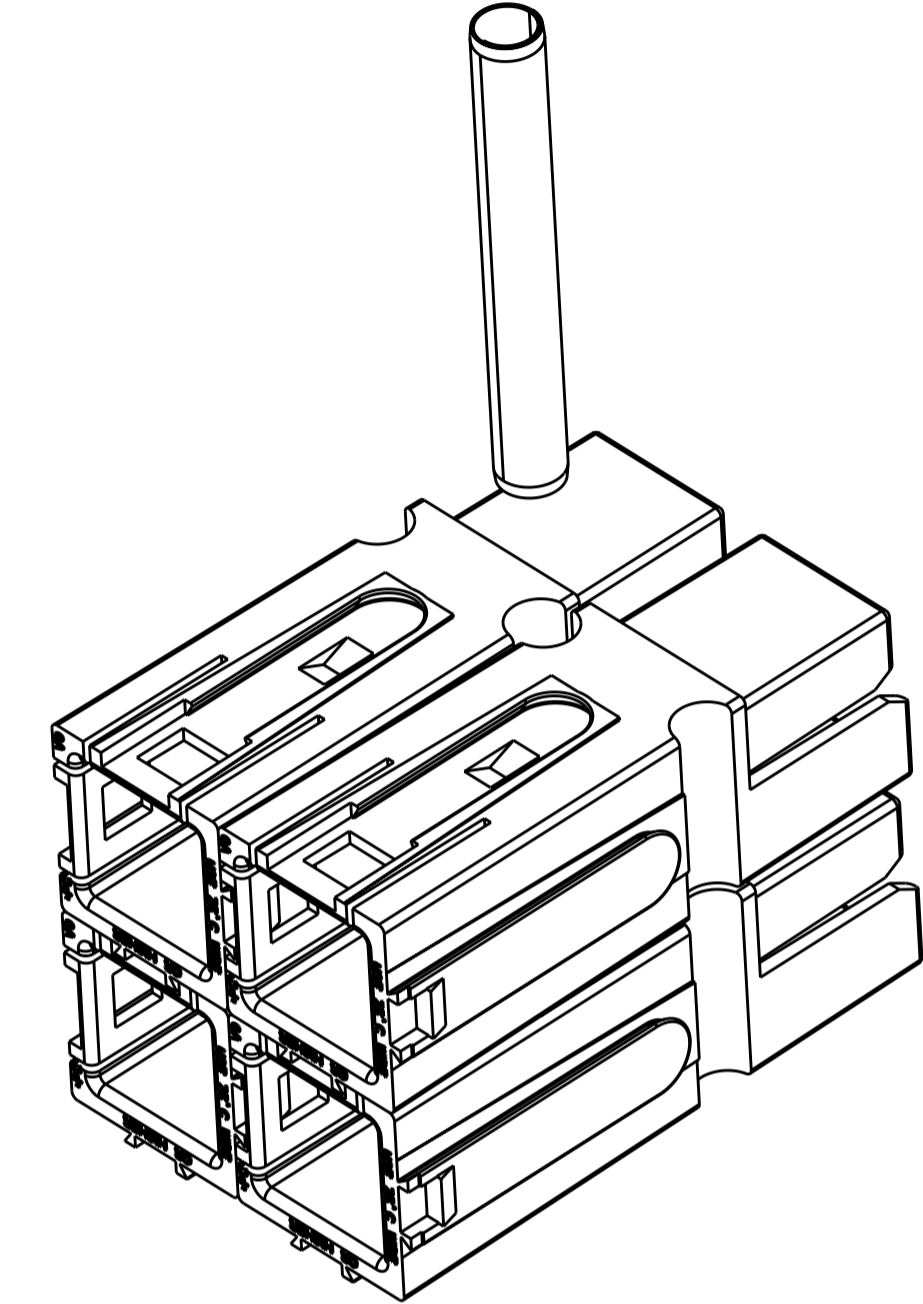
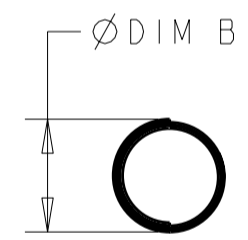
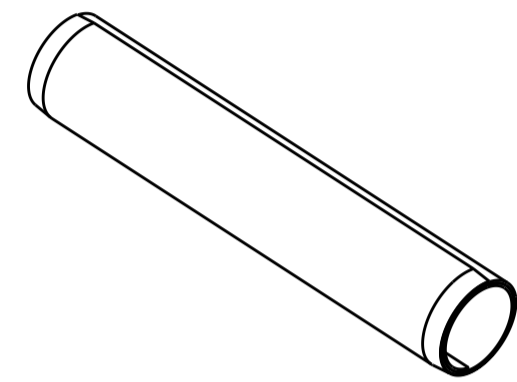


THIS DRAWING IS UNPUBLISHED. RELEASED FOR PUBLICATION 20
 © COPYRIGHT 20 BY ALL RIGHTS RESERVED.

LOC	DIST	REVISIONS			
P	LTR	DESCRIPTION	DATE	DWN	APVD
CM	00				
P		REVISED PER ECO-11-005140	23MAR2011	RK	HMR



TYPICAL USES

⚠ OBSOLETE PARTS: OBSOLETE CIS STREAMLINING PER D.RENAUD/D.SINISI

Ø DIM B	DIM A	PART NUMBER
2.36-2.51	21.59	1445886-6
2.51-2.69	11.18	1445886-5
2.49-2.62	6.35	1445886-4
5-5.25	38.10	1445886-3
5-5.25	25.40	1445886-2
5-5.25	14.22	1445886-1

⚠ OBSOLETE



THIS DRAWING IS A CONTROLLED DOCUMENT.		DWN BH 15OCT01	STE TE Connectivity	
DIMENSIONS: mm		CHK KAK 15OCT01		
TOLERANCES UNLESS OTHERWISE SPECIFIED:		APVD KAK 15OCT01	NAME RETAINER PIN, POWER PRODUCT	
0 PLC ±-	1 PLC ±-	PRODUCT SPEC -	SIZE CAGE CODE DRAWING NO RESTRICTED TO	
2 PLC ±0.13	3 PLC ±-	APPLICATION SPEC -	A200779C-1445886	
4 PLC ±-	ANGLES ±-	WEIGHT -	SCALE 3:1 SHEET 1 OF 1 REV P	
MATERIAL 302 STAINLESS STEEL	FINISH PASSIVATED	CUSTOMER DRAWING		

Mouser Electronics

Authorized Distributor

Click to View Pricing, Inventory, Delivery & Lifecycle Information:

[TE Connectivity:](#)

[1445886-2](#)