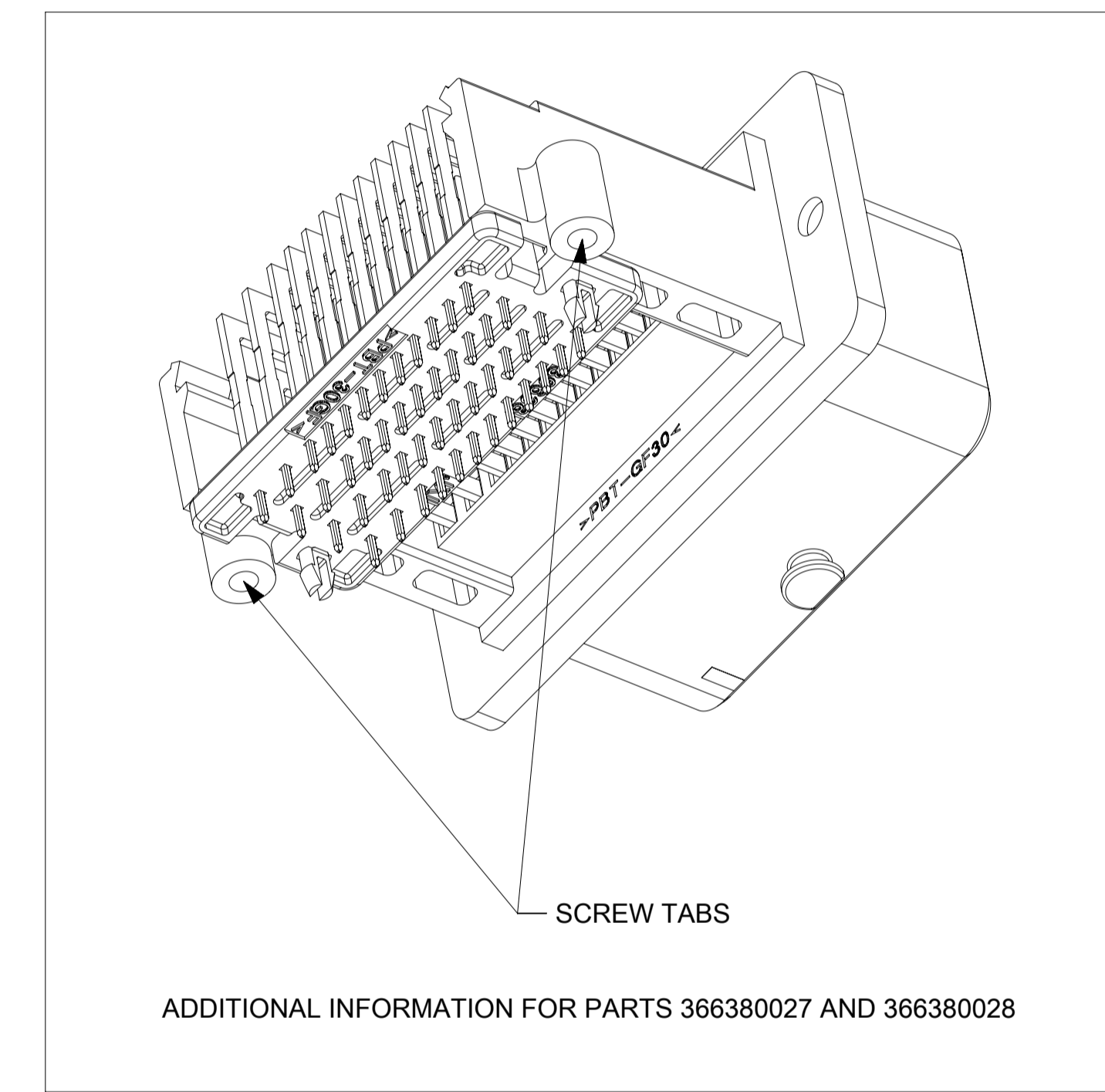


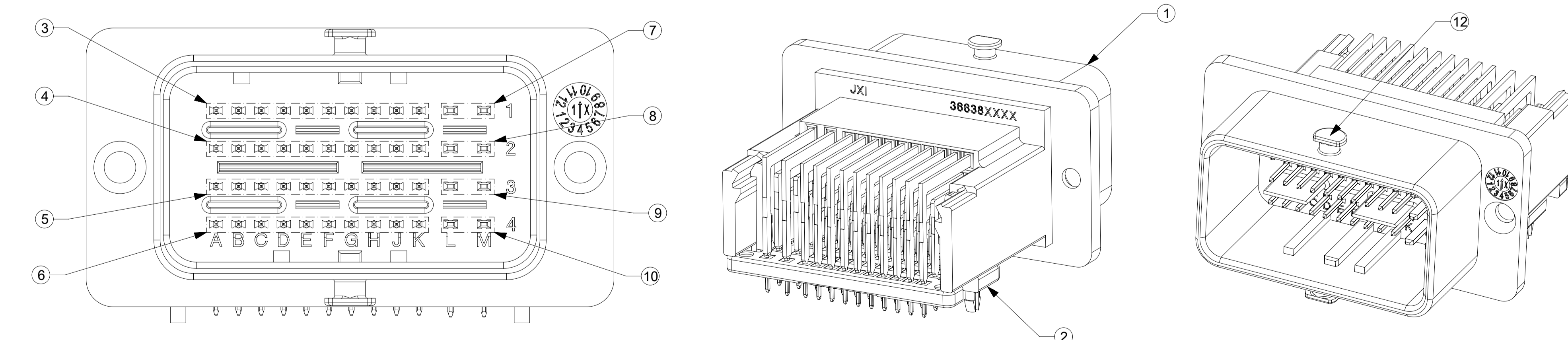
# BILL OF MATERIAL

ITEM	PART DESCRIPTION	MATERIAL	PLATING	KEY	QUANTITY															
					1	2	3	4	5	6	7	8	9	10	11	12	13	14	15	16
1	CMC HSG 48W 48CKT COUNTERSUNK HOLE BLK	PBT GF 30	N/A	BLACK	1	-	-	-	-	-	-	-	-	-	-	-	-	-	-	-
	CMC HSG 48W 48CKT COUNTERSUNK HOLE BLK	PBT GF 30	N/A	BLACK	-	1	-	-	-	-	-	-	-	-	-	-	-	-	-	-
	CMC HSG 48W 36CKT COUNTERSUNK HOLE BLK	PBT GF 30	N/A	BLACK	-	-	1	-	1	-	-	-	-	-	-	-	-	-	-	-
	CMC HSG 48W 36CKT COUNTERSUNK HOLE BLK	PBT GF 30	N/A	BLACK	-	-	-	1	-	1	-	-	-	-	-	-	-	-	-	-
	CMC HSG 48W 48CKT THROUGH HOLE BLK	PBT GF 30	N/A	BLACK	-	-	-	-	-	-	1	-	-	-	-	-	-	-	-	-
	CMC HSG 48W 48CKT THROUGH HOLE BLK	PBT GF 30	N/A	BLACK	-	-	-	-	-	-	-	1	-	-	-	-	-	-	-	-
	CMC HSG 48W 48CKT C/S HOLE SCREW TAB BLK	PBT GF 30	N/A	BLACK	-	-	-	-	-	-	-	1	-	-	-	-	-	-	-	-
	CMC HSG 48W 48CKT COUNTERSUNK HOLE BRN	PBT GF 30	N/A	BROWN	-	-	-	-	-	-	-	-	1	-	-	-	-	-	-	-
	CMC HSG 48W 48CKT COUNTERSUNK HOLE BRN	PBT GF 30	N/A	BROWN	-	-	-	-	-	-	-	-	-	1	-	-	-	-	-	-
	CMC HSG 48W 36CKT COUNTERSUNK HOLE BRN	PBT GF 30	N/A	BROWN	-	-	-	-	-	-	-	-	-	-	1	-	-	-	-	-
	CMC HSG 48W 36CKT COUNTERSUNK HOLE BRN	PBT GF 30	N/A	BROWN	-	-	-	-	-	-	-	-	-	-	-	1	-	-	-	-
	CMC HSG 48W 48CKT THROUGH HOLE BRN	PBT GF 30	N/A	BROWN	-	-	-	-	-	-	-	-	-	-	-	-	1	-	-	-
	CMC HSG 48W 48CKT THROUGH HOLE BRN	PBT GF 30	N/A	BROWN	-	-	-	-	-	-	-	-	-	-	-	-	-	1	-	-
	CMC HSG 48W 48CKT C/S HOLE SCREW TAB BRN	PBT GF 30	N/A	BROWN	-	-	-	-	-	-	-	-	-	-	-	-	-	-	1	-
2	48W CMC GRID PLATE WITH PCB LOCK	PBT GF 30	N/A	BLACK	1	-	1	-	1	-	1	-	1	1	-	1	-	1	-	1
	48W CMC GRID PLATE W/O PCB LOCK	PBT GF 30	N/A	BLACK	-	1	-	1	-	1	-	1	-	-	1	-	1	-	1	-
3	CMC HDR PIN 0.64X0.64 ROW 1 TIN PLATED	C26000 3/4 H	TIN	N/A	10	10	-	-	-	-	10	10	10	10	10	-	-	10	10	10
4	CMC HDR PIN 0.64X0.64 ROW 2 TIN PLATED	C26000 3/4 H	TIN	N/A	10	10	10	10	-	-	10	10	10	10	10	10	10	10	10	10
5	CMC HDR PIN 0.64X0.64 ROW 3 TIN PLATED	C26000 3/4 H	TIN	N/A	10	10	10	10	-	-	10	10	10	10	10	10	10	10	10	10
6	CMC HDR PIN 0.64X0.64 ROW 4 TIN PLATED	C26000 3/4 H	TIN	N/A	10	10	10	10	-	-	10	10	10	10	10	10	10	10	10	10
3	CMC HDR PIN 0.64X0.64 ROW 1 GOLD PLATED	C26000 3/4 H	GOLD	N/A	-	-	-	-	-	-	-	-	-	-	-	-	-	-	-	
4	CMC HDR PIN 0.64X0.64 ROW 2 GOLD PLATED	C26000 3/4 H	GOLD	N/A	-	-	-	-	-	10	10	-	-	-	-	-	-	-	-	
5	CMC HDR PIN 0.64X0.64 ROW 3 GOLD PLATED	C26000 3/4 H	GOLD	N/A	-	-	-	-	-	-	10	10	-	-	-	-	-	-	-	
6	CMC HDR PIN 0.64X0.64 ROW 4 GOLD PLATED	C26000 3/4 H	GOLD	N/A	-	-	-	-	-	-	-	10	10	-	-	-	-	-	-	
7	CMC HDR PIN 1.5X0.8 ROW 1 TIN PLATED	C26000 3/4 H	TIN	N/A	2	2	-	-	-	-	2	2	2	2	2	-	-	2	2	2
8	CMC HDR PIN 1.5X0.8 ROW 2 TIN PLATED	C26000 3/4 H	TIN	N/A	2	2	2	2	2	2	2	2	2	2	2	2	2	2	2	2
9	CMC HDR PIN 1.5X0.8 ROW 3 TIN PLATED	C26000 3/4 H	TIN	N/A	2	2	2	2	2	2	2	2	2	2	2	2	2	2	2	2
10	CMC HDR PIN 1.5X0.8 ROW 4 TIN PLATED	C26000 3/4 H	TIN	N/A	2	2	2	2	2	2	2	2	2	2	2	2	2	2	2	2
11	PAD PRINT WHITE		N/A	N/A	1	1	1	1	1	1	1	1	1	1	1	1	1	1	1	1
12	PAD PRINT BROWN		N/A	BROWN	-	-	-	-	-	-	-	-	-	-	1	1	1	1	1	1

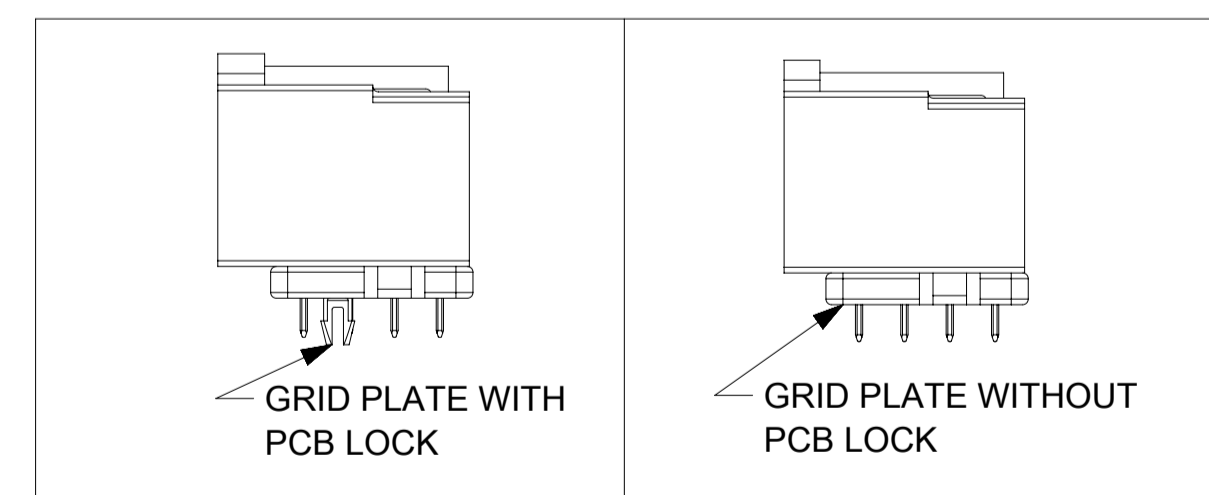
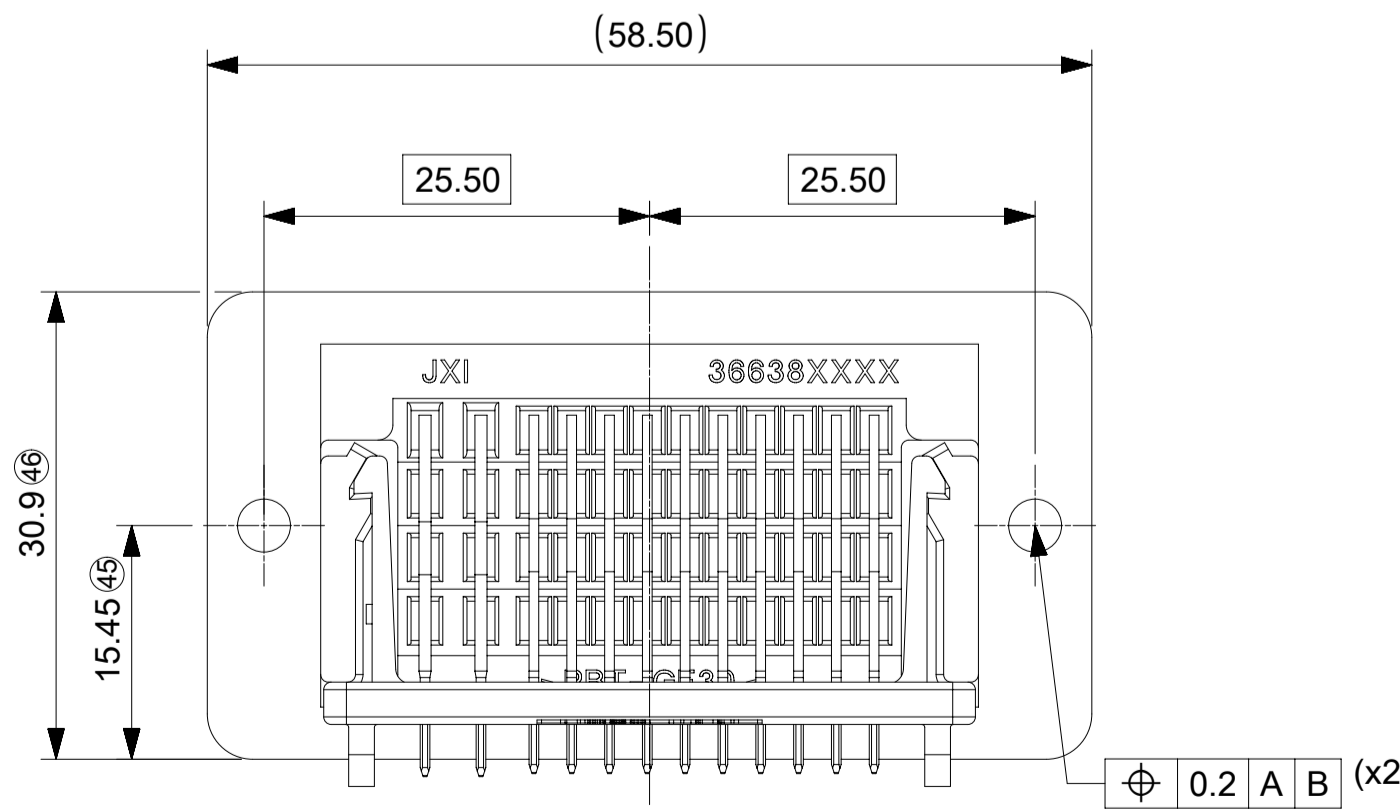
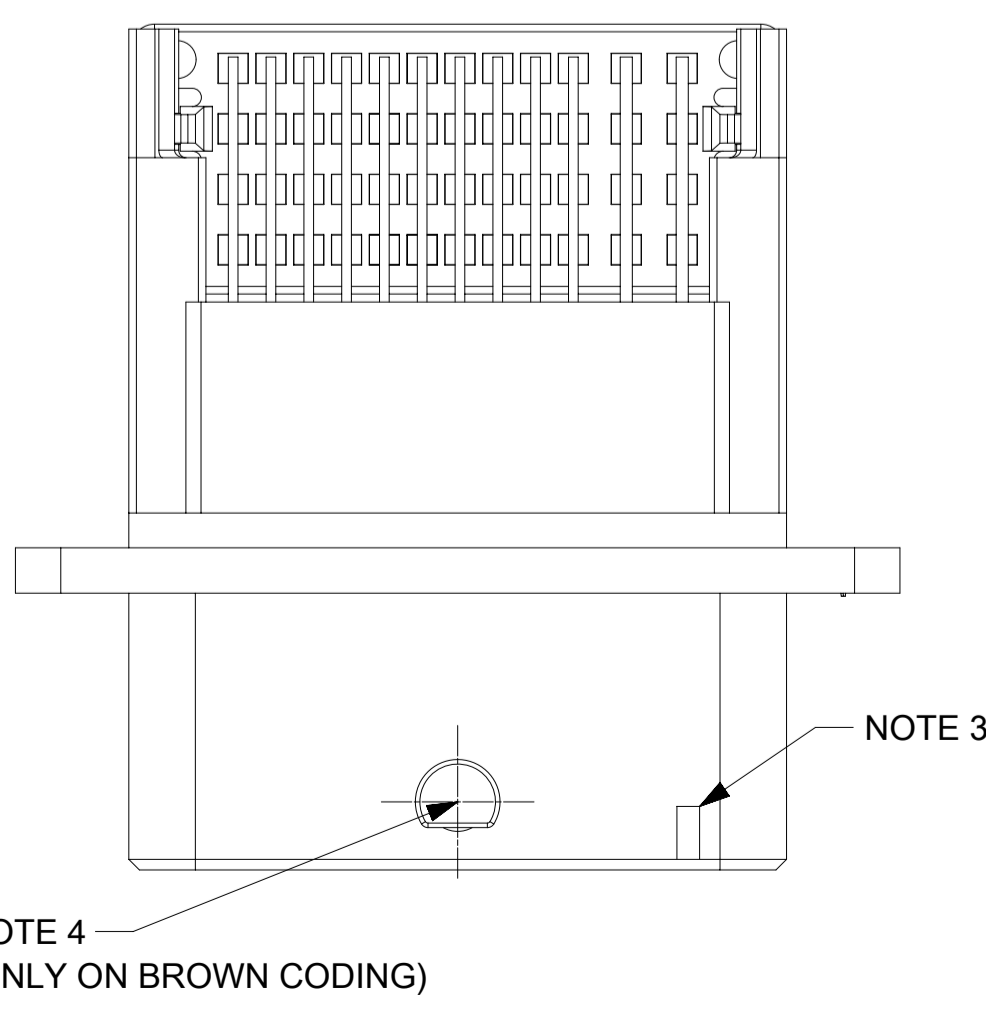
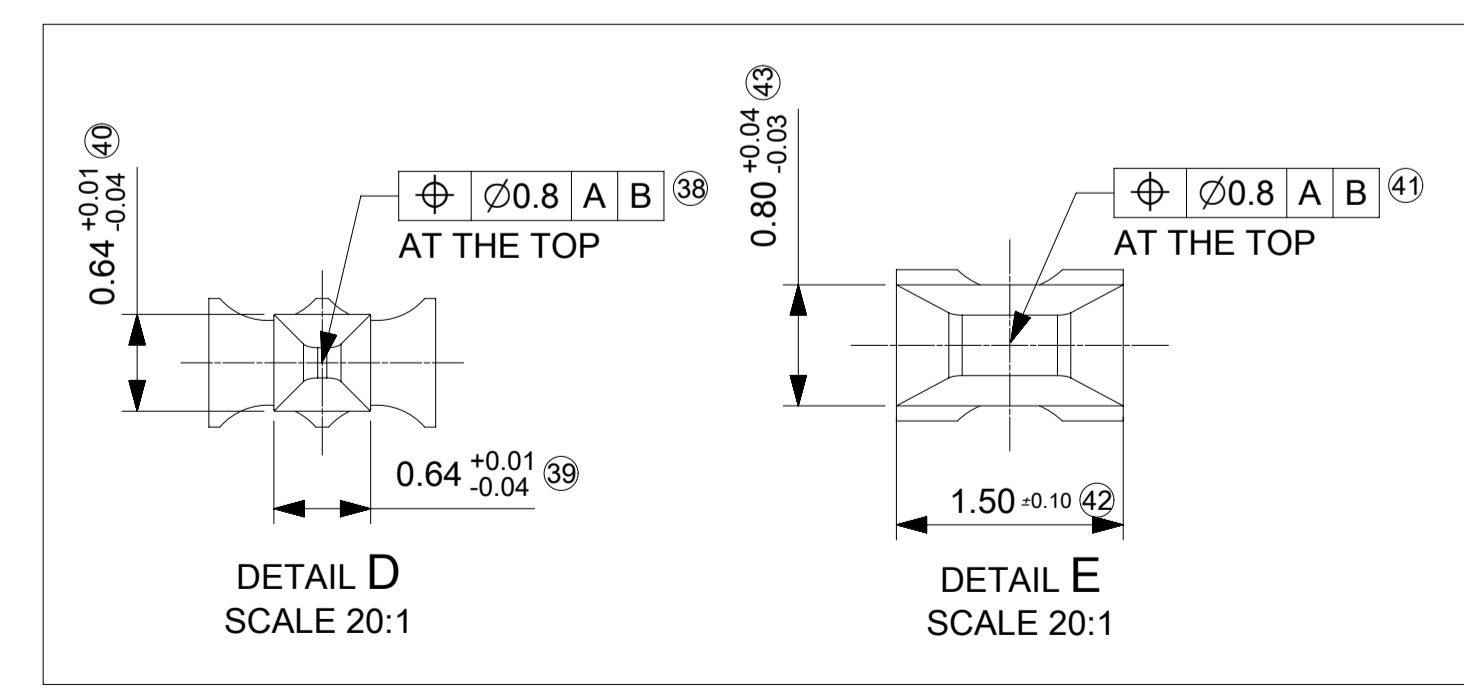
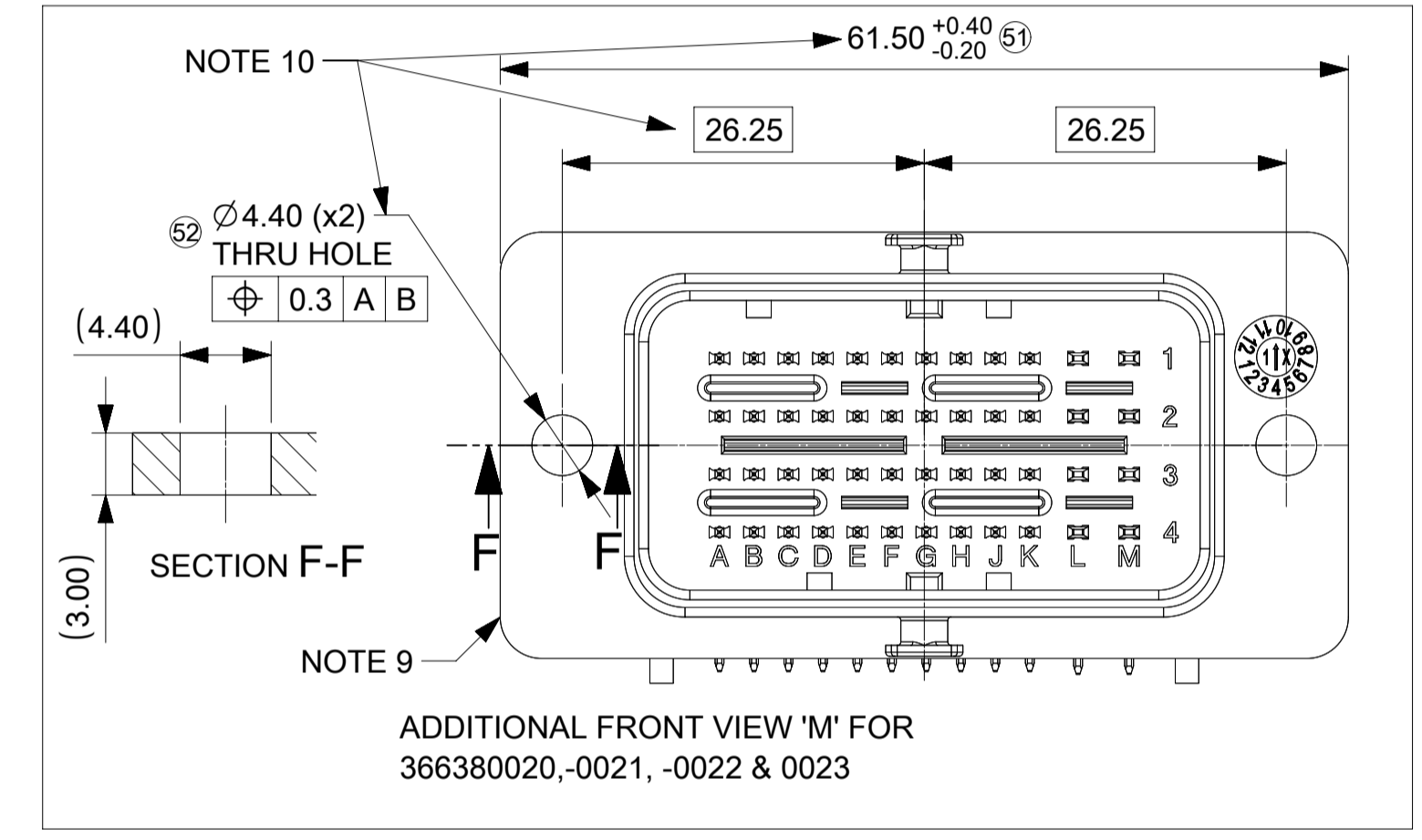
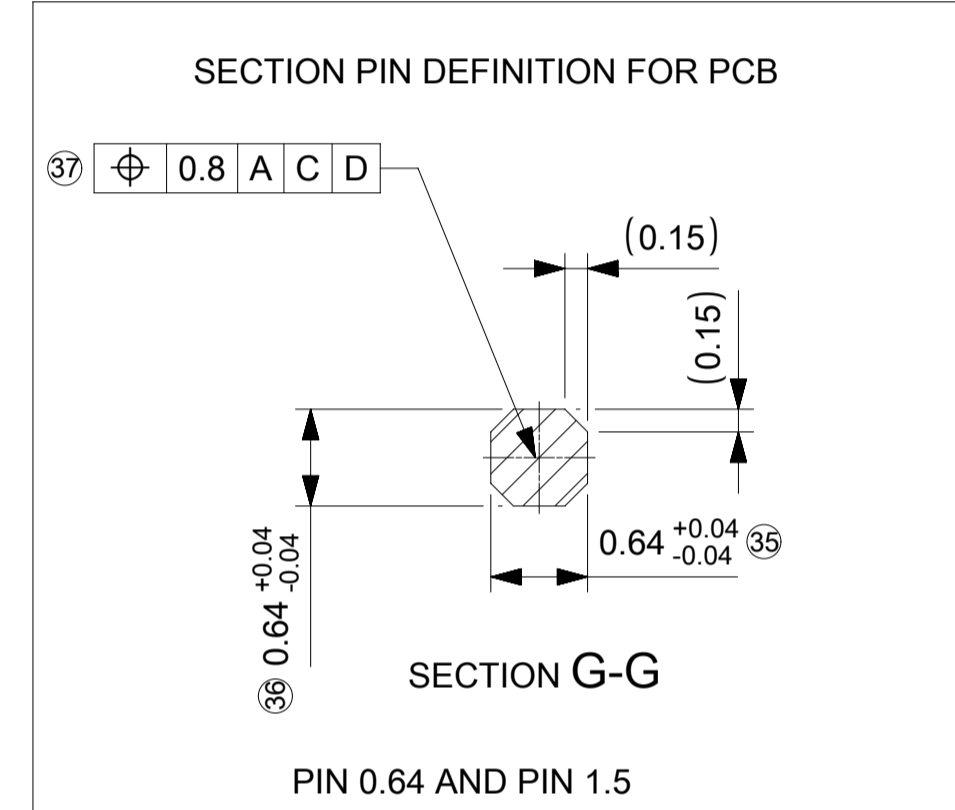
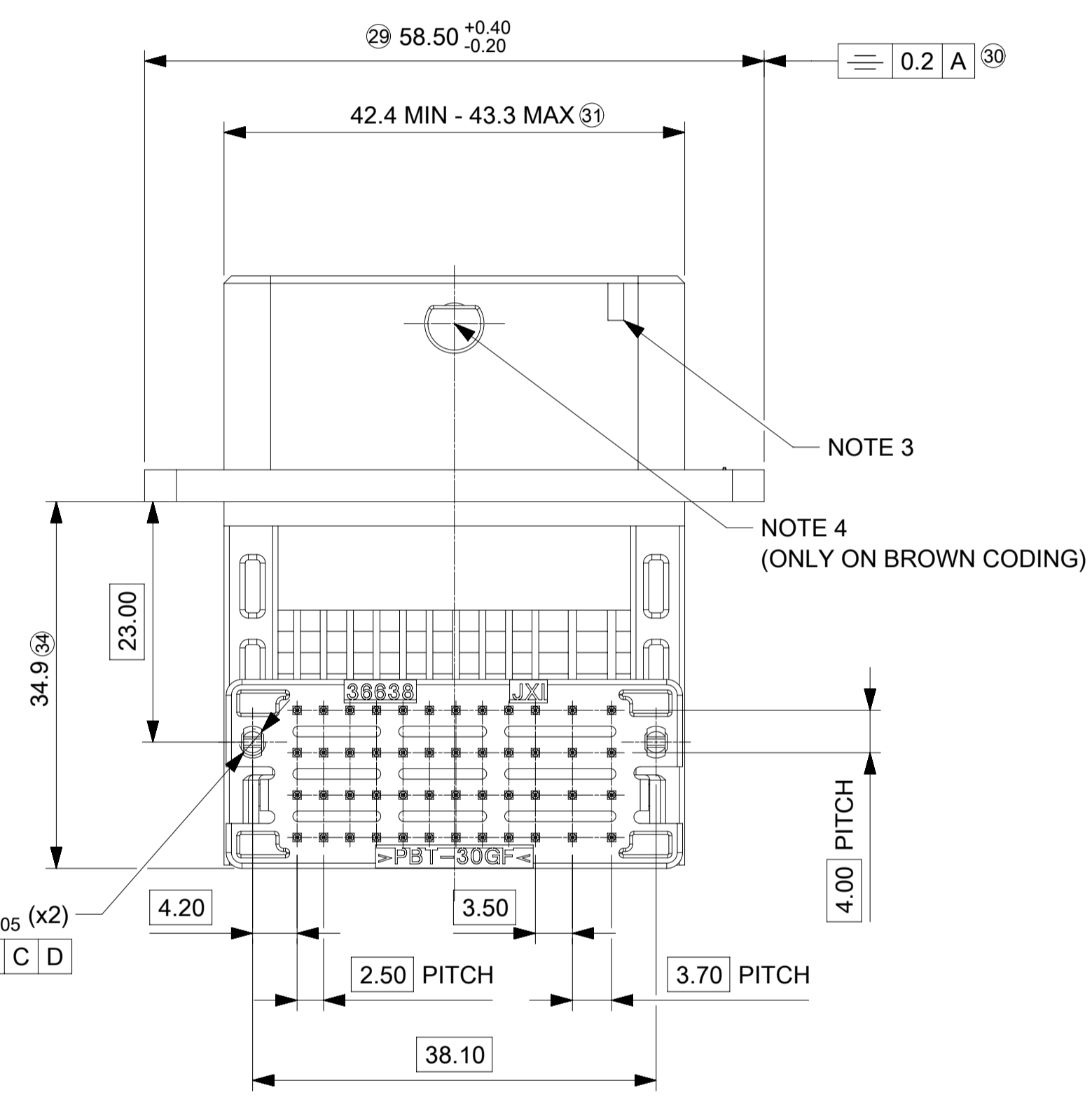
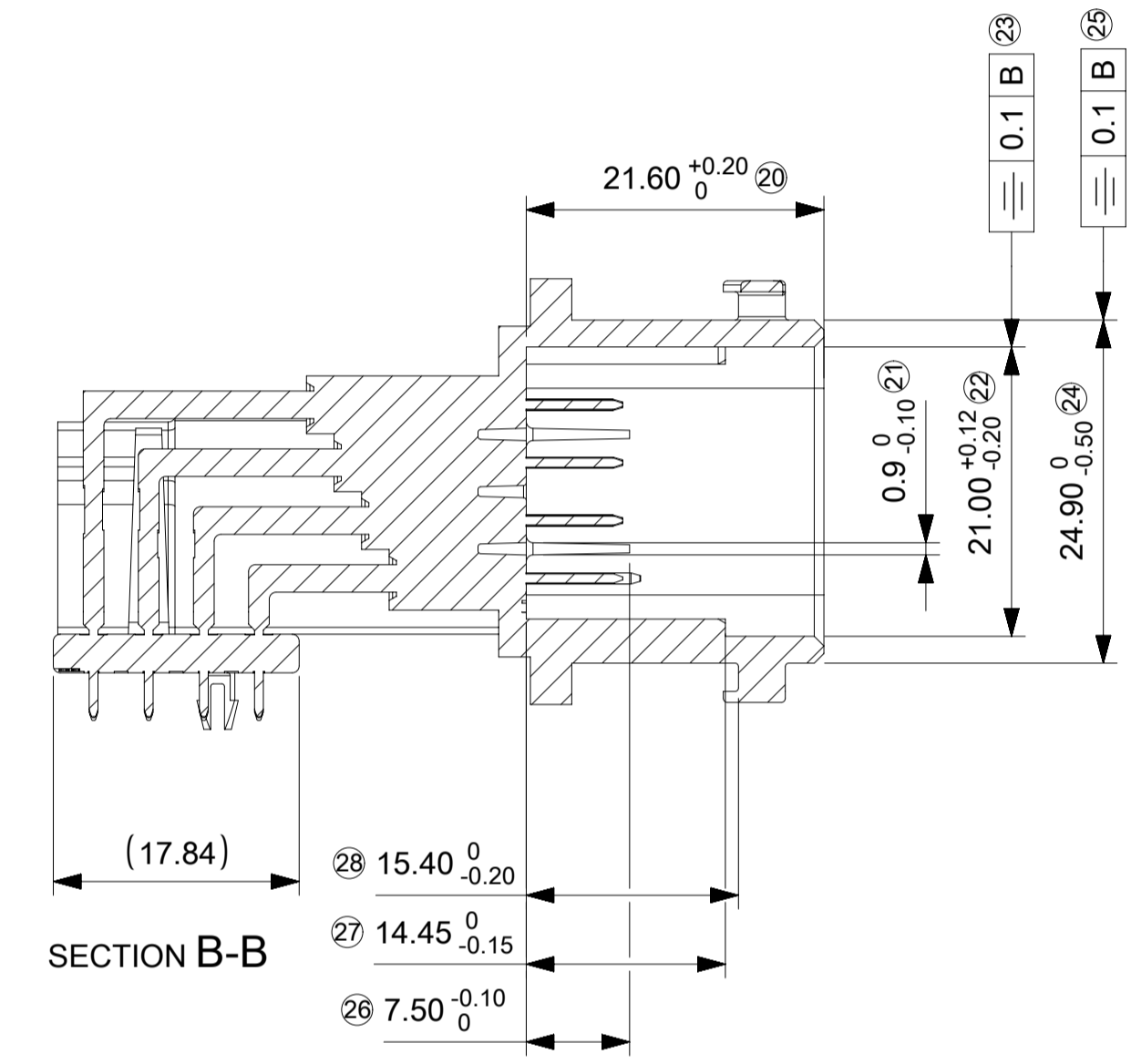
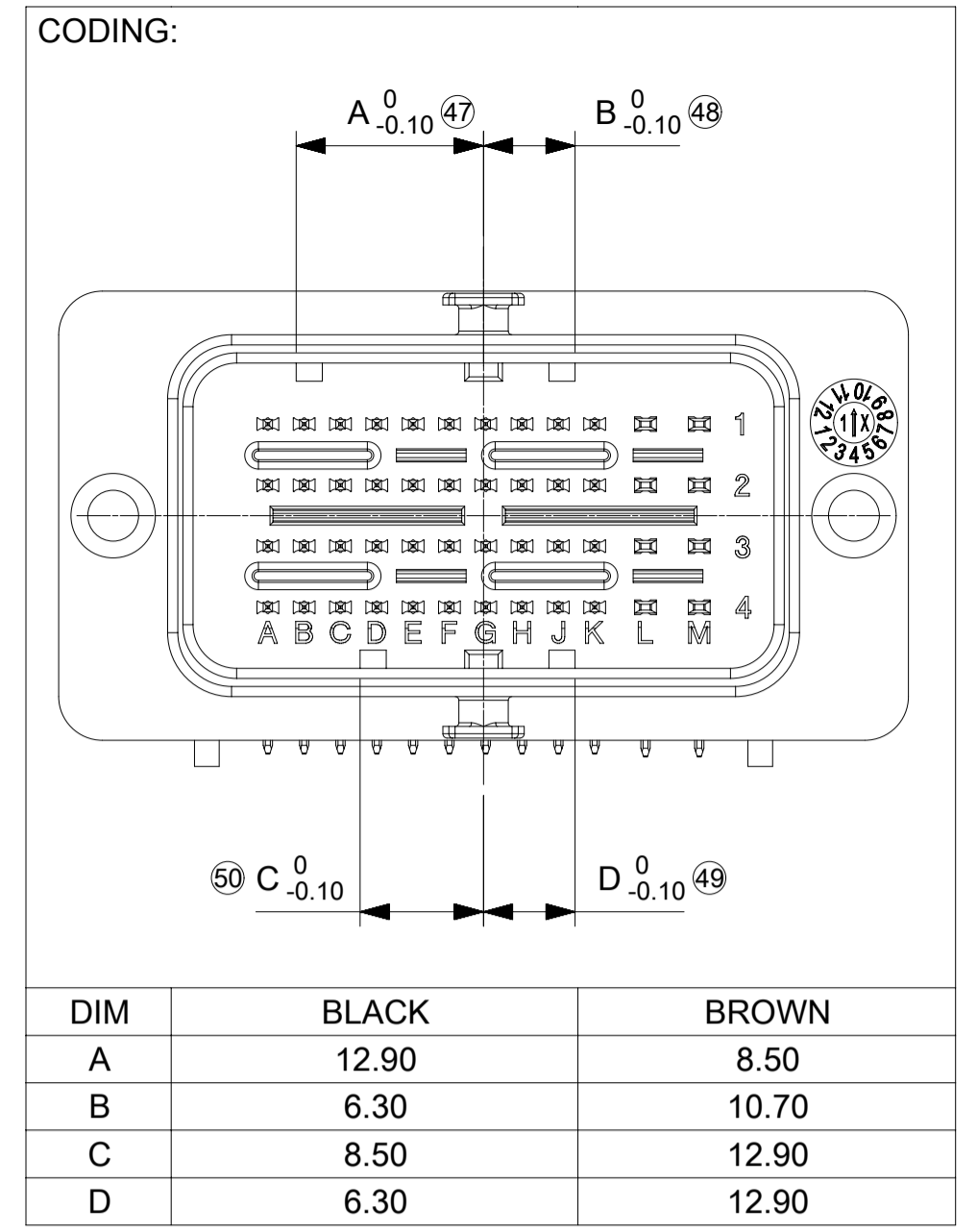
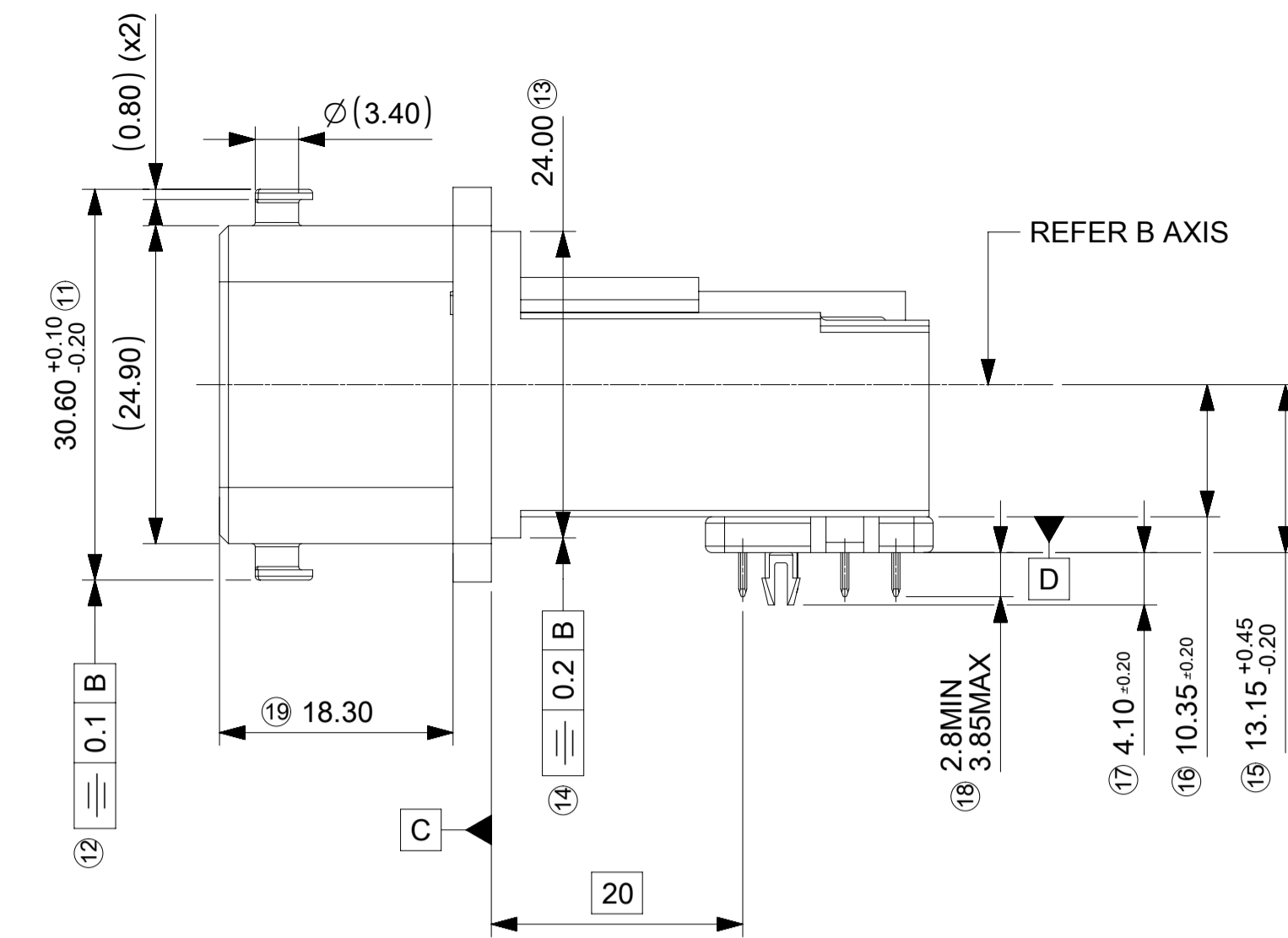
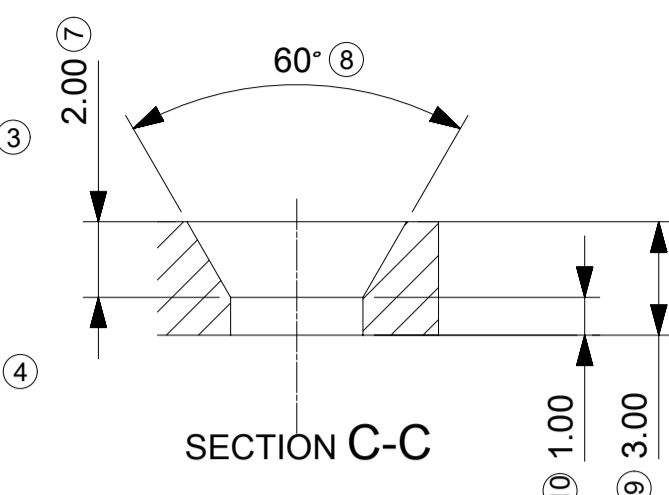
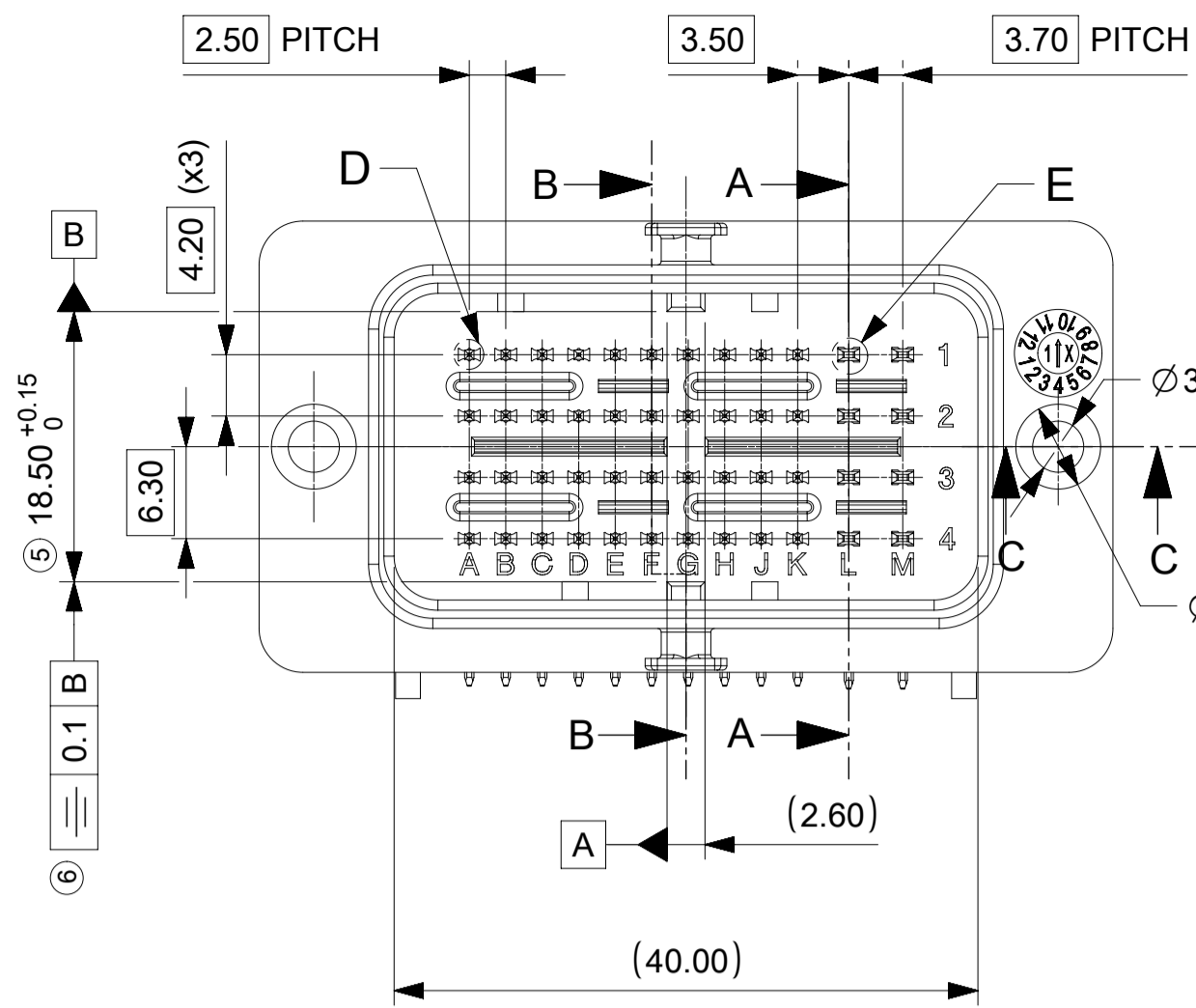
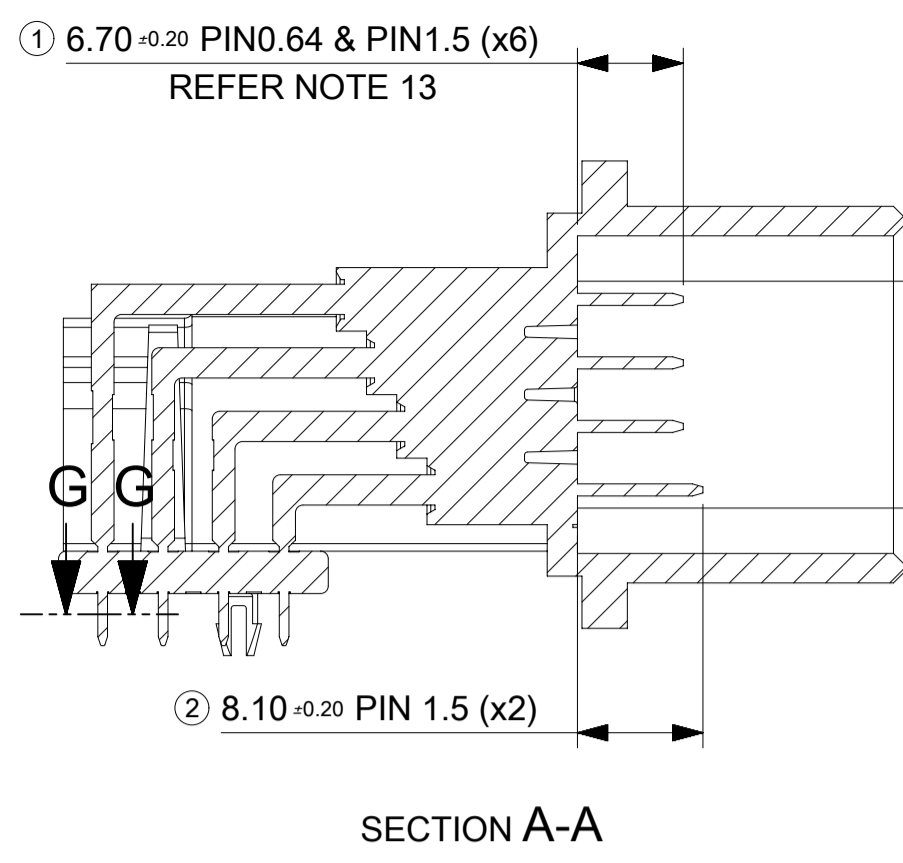
- NOTES:  
1. AREA FOR JX1 AND MOLEX PART NUMBER REPRESENTATION  
2. AREA FOR PLASTIC MATERIAL >PBT-30%GF< DESCRIPTION  
3. PAINT WITH WHITE COLOR (RoHS COMPLIANT) AT SPECIFIED TWO AREAS TO LOCATE POWER TERMINALS  
4. PAINT WITH BROWN COLOR (RoHS COMPLIANT) AT SPECIFIED AREA ON BOTH SIDES FOR P/N: 366380003, -0005, -0007, -0009, -0021 & -0023  
5. PART TO MEET SOLDERABILITY SPEC SMES-152  
6. PACKAGING SPECIFICATION: PK-36638-001  
7. PCB SOLDER HOLE SIZE IS DIA 1.1(+0.10/-0.05) FOR THE TERMINALS  
8. MANUAL/WAVE SOLDER COMPATIBLE  
9. FOR OTHER DIMENSIONS REFER REMAINING VIEWS IN THE DRAWING  
10. THESE DIMENSIONS ARE ONLY FOR PART NUMBERS 366380020, -0021, -0022 & -0023  
11. 366380020, -0021, -0022 & -0023 WILL COMPLY TO VIEW "M" OUT OF WHICH 366380020 & -0022 ARE TOOLED AND 366380021 & -0023 ARE NOT TOOLED  
12. 366380013 AND -0019 MATE WITH PART NUMBERS 643202311/643204311  
13. GOLD PLATED AT CONTACT AREA (6.7+/-0.5mm) FOR P/N 366380013 & -0019  
14. SEALING SOLUTION AT THE FLANGE (IF NEEDED), IS THE RESPONSIBILITY OF THE END CUSTOMER  
15. WARPAGE ON FLANGE : 0.3 MAX  
16. INTERFACE DEFINITION: REFER TO DRAWING SD-98644-006



MOLEX ASSEMBLY PART NO	CUSTOMER	PART DESCRIPTION	48 CKT POCKET	48 CKT POCKET	36 CKT POCKET	36 CKT POCKET
366380002	GENERAL MARKET	ASSY CMC 48W 48CKT BLK WITH PCB LOCK	BLACK KEY			
366380004	GENERAL MARKET	ASSY CMC 48W 48CKT BLK W/O PCB LOCK	BLACK KEY			
366380006	GENERAL MARKET	ASSY CMC 48W 36CKT BLK WITH PCB LOCK			BLACK KEY	
366380008	GENERAL MARKET	ASSY CMC 48W 36CKT BLK W/O PCB LOCK			BLACK KEY	
366380013	GENERAL MARKET	ASSY CMC 48W 36CKT BLK WITH PCB LOCK			BLACK KEY	
366380019	GENERAL MARKET	ASSY CMC 48W 36CKT BLK W/O PCB LOCK			BLACK KEY	
366380020	GENERAL MARKET	ASSY CMC 48W 48CKT BLK WITH PCB LOCK	BLACK KEY			
366380022	GENERAL MARKET	ASSY CMC 48W 48CKT BLK W/O PCB LOCK	BLACK KEY			
366380027	GENERAL MARKET	ASSY CMC 48W 48CKT BLK WITH PCB LOCK WITH SCREW TAB	BLACK KEY			
366380003	GENERAL MARKET	ASSY CMC 48W 48CKT BRN WITH PCB LOCK		BROWN KEY		
366380005	GENERAL MARKET	ASSY CMC 48W 48CKT BRN W/O PCB LOCK		BROWN KEY		
366380007	GENERAL MARKET	ASSY CMC 48W 36CKT BRN WITH PCB LOCK			BROWN KEY	
366380009	GENERAL MARKET	ASSY CMC 48W 36CKT BRN W/O PCB LOCK			BROWN KEY	
366380021	GENERAL MARKET	ASSY CMC 48W 48CKT BRN WITH PCB LOCK		BROWN KEY		
366380023	GENERAL MARKET	ASSY CMC 48W 48CKT BRN W/O PCB LOCK		BROWN KEY		
366380028	GENERAL MARKET	ASSY CMC 48W 48CKT BRN WITH PCB LOCK WITH SCREW TAB		BROWN KEY		



THIS DRAWING CONTAINS INFORMATION THAT IS PROPRIETARY TO MOLEX ELECTRONIC TECHNOLOGIES, LLC AND SHOULD NOT BE USED WITHOUT WRITTEN PERMISSION									
DIMENSION UNITS <b>mm</b>		SCALE <b>3:1</b>		CURRENT REV DESC: DIMENSIONS 24 AND 34 CHANGED AS PER SD-36638-002 AND SD-36638-013					
GENERAL TOLERANCES (UNLESS SPECIFIED)									
ANGULAR TOL ± 1.0°		EC NO: 616573							
4 PLACES ±		DRWN: SSUVARNA		2019/05/02					
3 PLACES ±		CHK'D: SSUVARNA		2019/05/02					
2 PLACES ± 0.1		APPR: SLAFAURE		2019/05/03					
1 PLACE ± 0.2		INITIAL REVISION:							
0 PLACES ±		DRWN: SSUVARNA		2018/12/20					
DRAFT WHERE APPLICABLE MUST REMAIN WITHIN DIMENSIONS		APPR: SLAFAURE		2019/01/08					
THIRD ANGLE PROJECTION		DRAWING		SERIES		MATERIAL NUMBER		CUSTOMER	
		A1-SIZE		36638		SEE BOM TABLE		GENERAL MARKET	
DOCUMENT STATUS		P1		RELEASE DATE		2019/05/03		08:18:49	
				PSD		000		A3	
DOCUMENT NUMBER		DOC TYPE		DOC PART		REVISION			
366381000									
SHEET NUMBER			1 OF 4						

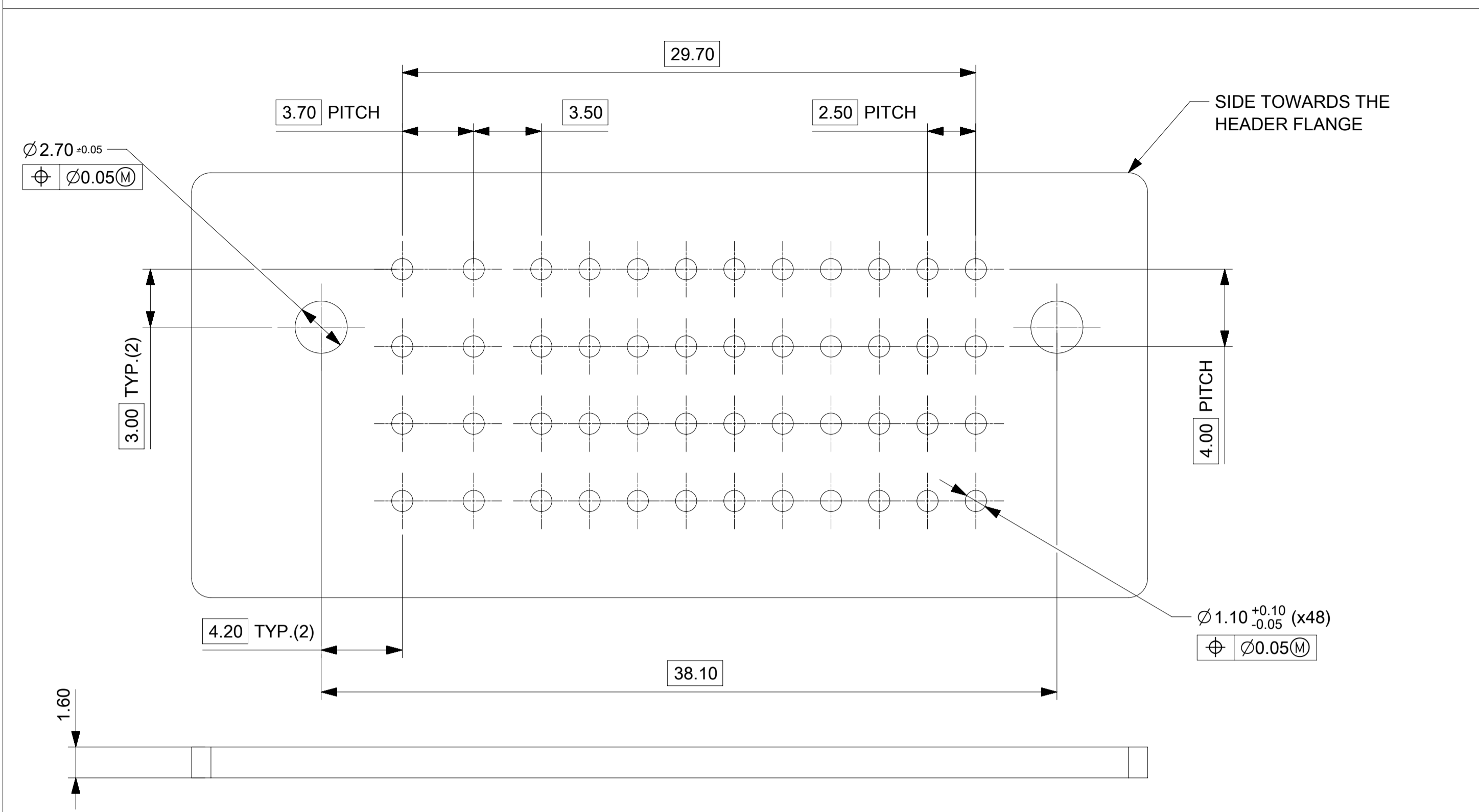


THIS DRAWING CONTAINS INFORMATION THAT IS PROPRIETARY TO MOLEX ELECTRONIC TECHNOLOGIES, LLC AND SHOULD NOT BE USED WITHOUT WRITTEN PERMISSION

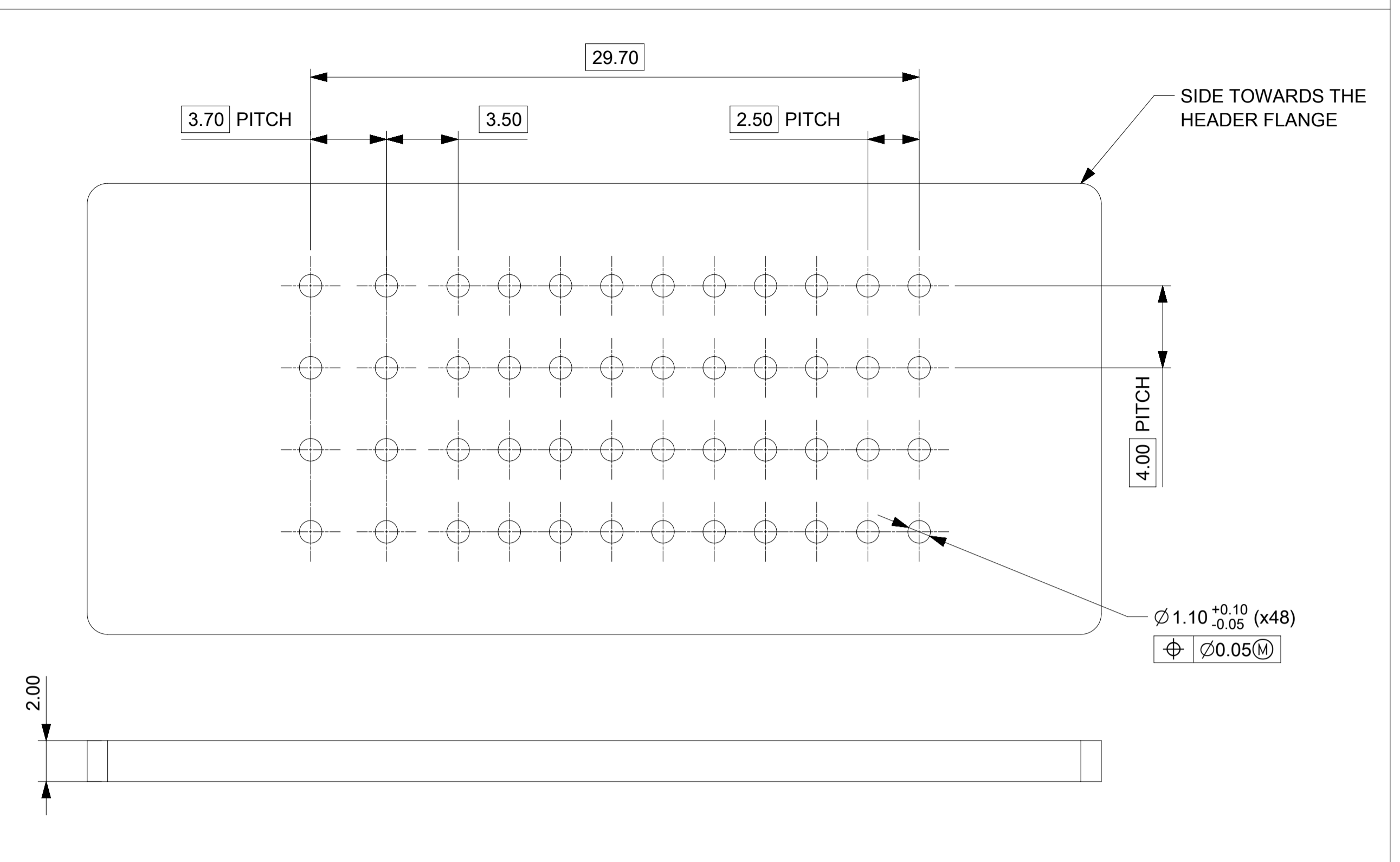
DIMENSION UNITS	SCALE	CURRENT REV DESC:	PRODUCT CUSTOMER DRAWING		
mm	2:1	24 AND 34 CHANGED AS PER SD-36638-002 AND SD-36638-013	molex		
GENERAL TOLERANCES (UNLESS SPECIFIED)		EC NO: 616573	48CKT RA S CMC HEADER		
ANGULAR TOL	± 1.0°	DRWN: SSVARNA 2019/05/02	PRODUCT CUSTOMER DRAWING		
4 PLACES	±	CHK'D: SSVARNA 2019/05/02	DOCUMENT NUMBER		
3 PLACES	±	APPR: SLAFAURE 2019/05/03	DOC TYPE   DOC PART   REVISION		
2 PLACES	± 0.1	INITIAL REVISION:	366381000 PSD 000 A3		
1 PLACE	± 0.2	DRWN: SSVARNA 2018/12/20	MATERIAL NUMBER		
0 PLACES	±	APPR: SLAFAURE 2019/01/08	CUSTOMER		
DRAFT WHERE APPLICABLE MUST REMAIN WITHIN DIMENSIONS		THIRD ANGLE PROJECTION	SHEET NUMBER		
		DRAWING	2 OF 4		
		SERIES	SEE BOM TABLE		
		A1-SIZE	GENERAL MARKET		
		36638			

RoHS COMPLIANT

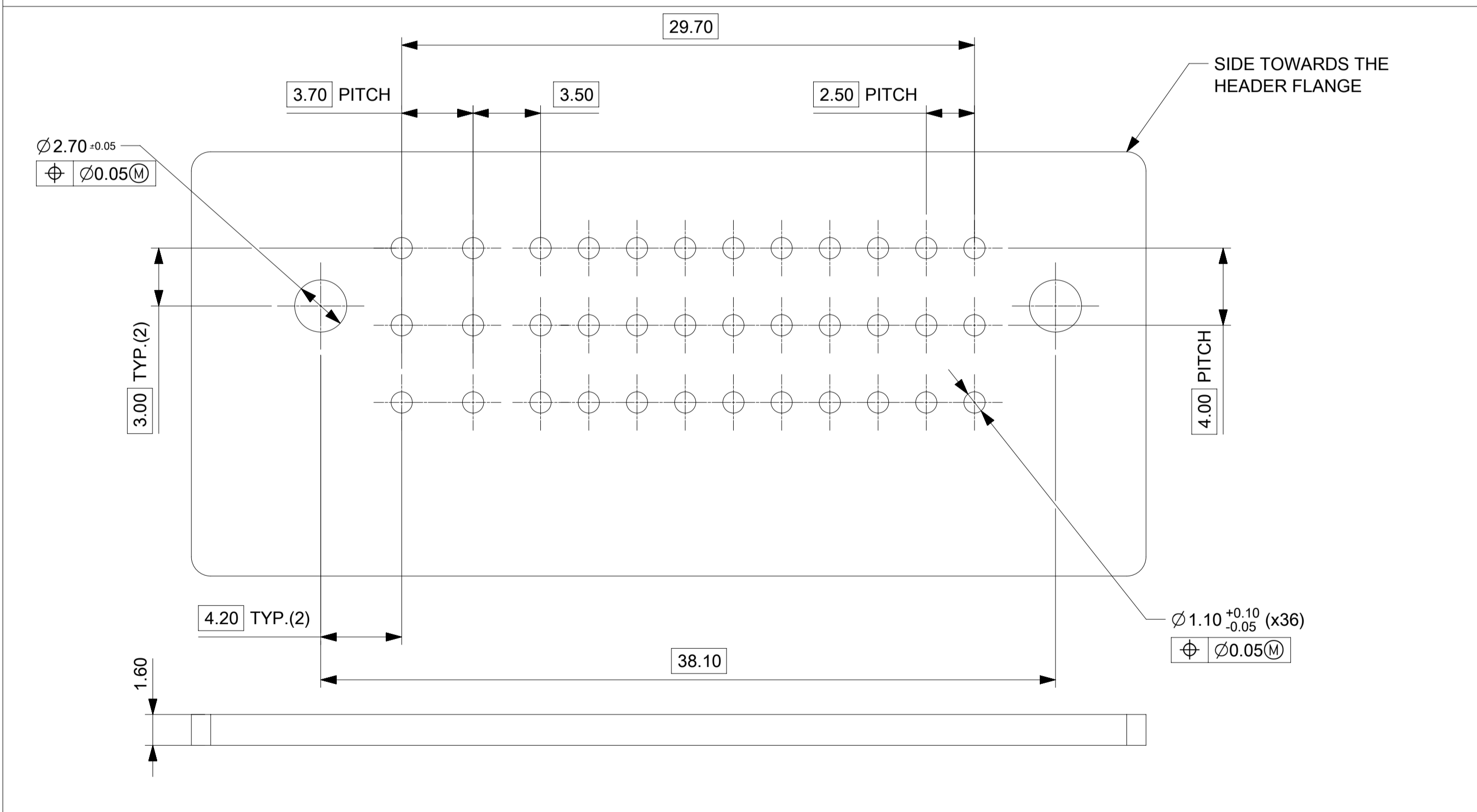
# RECOMMENDED PCB PAYOUT



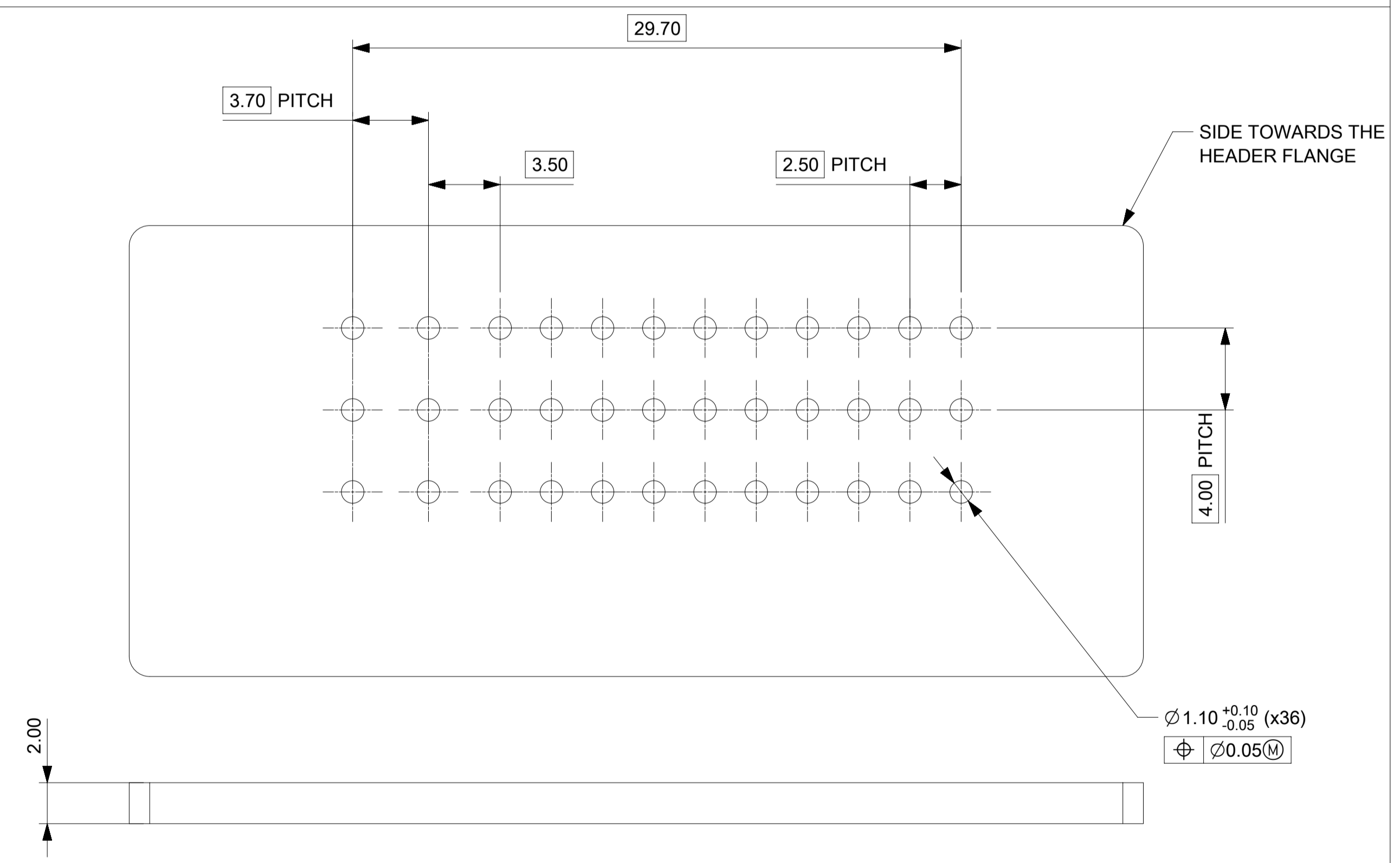
FOR PN 366380002, 366380003, 366380020, 366380021



FOR PN 366380004, 366380005, 366380022, 366380023



FOR PN 366380006, 366380007 AND 366380013



FOR PN 366380008, 366380009 AND 366380019

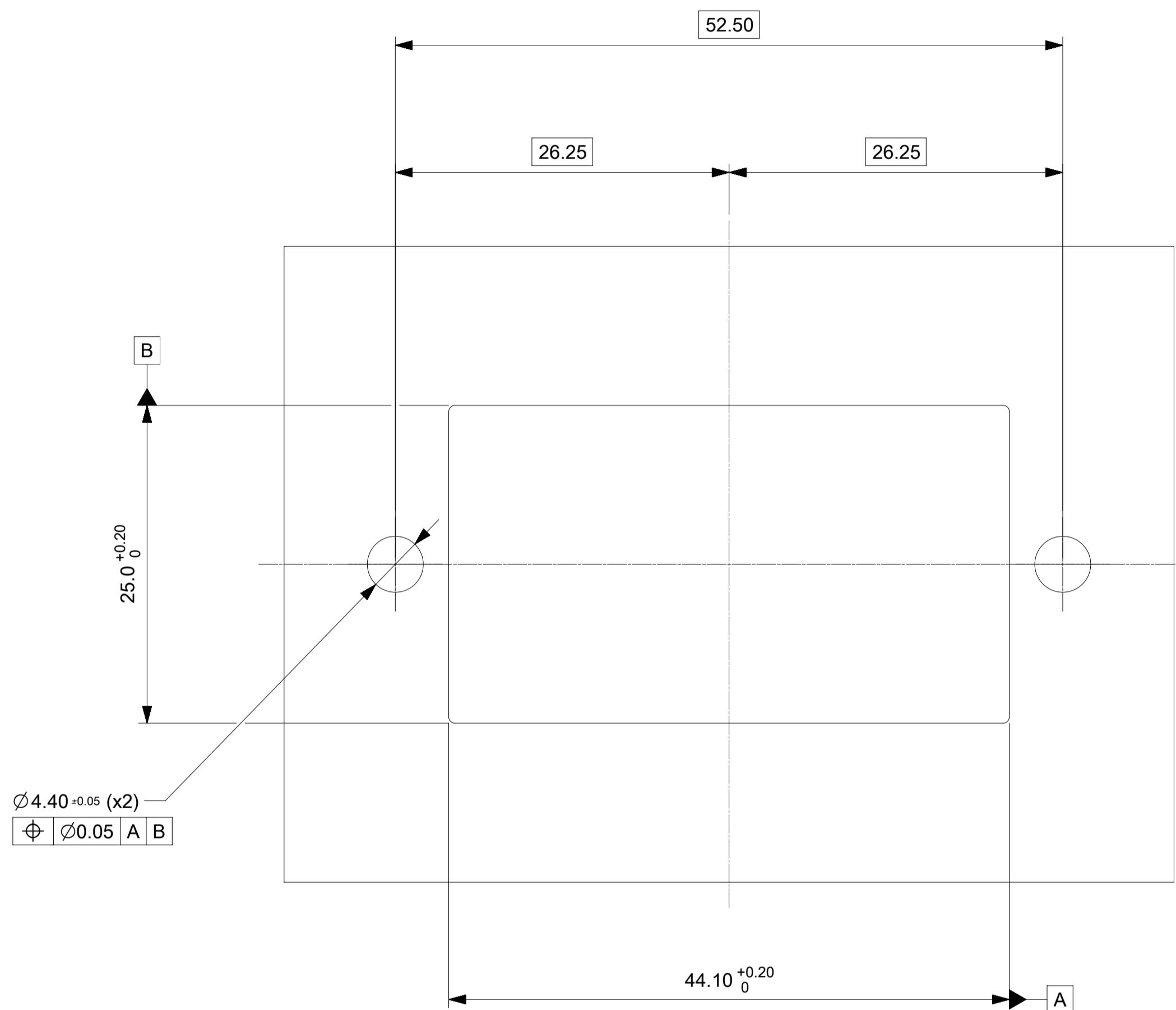
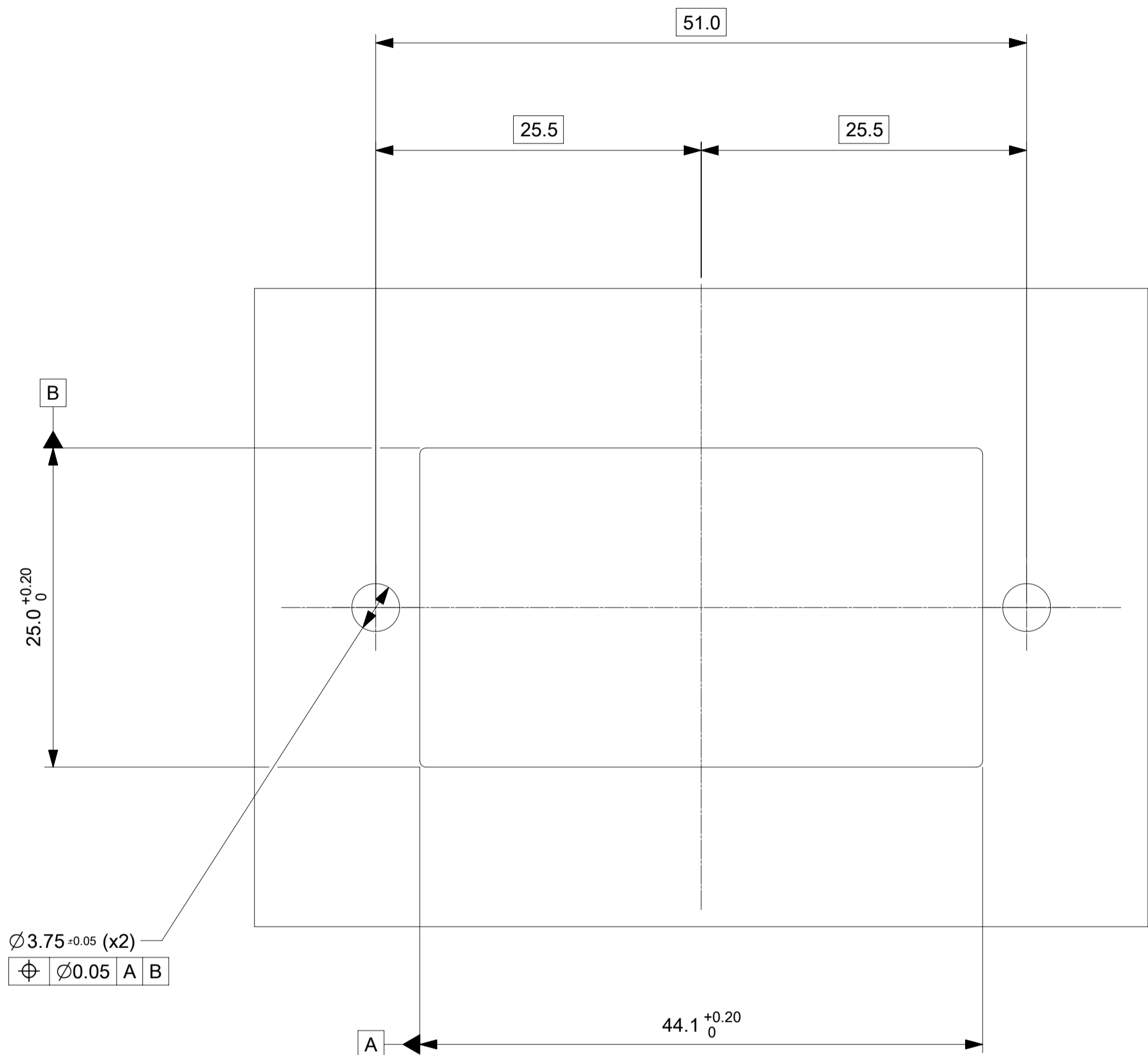
### NOTES:

1. THE VIEW 'RECOMMENDED PCB LAYOUT' SHOWS THE SECTION OF THE HOLE POSITION CONCERNING THE HEADER-PIN, GUIDING AND LOCKING LAYOUT.
2. THIS VIEW OF THE HOLE PATTERN DOESN'T POINT TO THE ABSOLUTE POSITION ON THE PCB.
3. THE HOLE PATTERN IS THE COPY OF THE HEADER LAYOUT.
4. PLEASE COMBINE THE TWO ELEMENTS (HEADER AND VIEW OF THE HOLE PATTERN).

THIS DRAWING CONTAINS INFORMATION THAT IS PROPRIETARY TO MOLEX ELECTRONIC TECHNOLOGIES, LLC AND SHOULD NOT BE USED WITHOUT WRITTEN PERMISSION


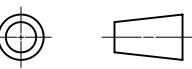
DIMENSION UNITS	SCALE	CURRENT REV DESC: DIMENSIONS 24 AND 34 CHANGED AS PER SD-36638-002 AND SD-36638-013			
mm	5:1				
GENERAL TOLERANCES (UNLESS SPECIFIED)		EC NO: 616573		48CKT RA S CMC HEADER	
ANGULAR TOL	± 1.0°	DRWN: SSUVARNA	2019/05/02	PRODUCT CUSTOMER DRAWING	
4 PLACES	±	CHK'D: SSUVARNA	2019/05/02	DOCUMENT NUMBER	
3 PLACES	±	APPR: SLAFAURE	2019/05/03	366381000	
2 PLACES	± 0.1	INITIAL REVISION:		DOC TYPE	DOC PART
1 PLACE	± 0.2	DRWN: SSUVARNA	2018/12/20	PSD	000
0 PLACES	±	APPR: SLAFAURE	2019/01/08	REVISION	A3
DRAFT WHERE APPLICABLE MUST REMAIN WITHIN DIMENSIONS		THIRD ANGLE PROJECTION	DRAWING	MATERIAL NUMBER	CUSTOMER
			A1-SIZE	36638	GENERAL MARKET
			SERIES	SHEET NUMBER	
				3 OF 4	

# RECOMMENDED PANEL LAYOUT



RECOMMENDED LAYOUT FOR PN 366382020, 366382021, 366382022, 366382023

NOTES:  
1. REQUIRED MATING SURFACE FINISH: Ra 3.0µm MAX OR POLISHED

THIS DRAWING CONTAINS INFORMATION THAT IS PROPRIETARY TO MOLEX ELECTRONIC TECHNOLOGIES, LLC AND SHOULD NOT BE USED WITHOUT WRITTEN PERMISSION											
DIMENSION UNITS <b>mm</b>		SCALE <b>1:1</b>		CURRENT REV DESC: DIMENSIONS 24 AND 34 CHANGED AS PER SD-36638-002 AND SD-36638-013				 48CKT RA S CMC HEADER			
GENERAL TOLERANCES (UNLESS SPECIFIED)				EC NO: 616573							
ANGULAR TOL ± 1.0°		4 PLACES ±		DRWN: SSUVARNA 2019/05/02		DRWN: SSUVARNA 2019/05/02		PRODUCT CUSTOMER DRAWING			
3 PLACES ±		2 PLACES ± 0.1		APPR: SLAFAURE 2019/05/03		APPR: SLAFAURE 2019/05/03		DOCUMENT NUMBER			
1 PLACE ± 0.2		0 PLACES ±		INITIAL REVISION:				366381000		PSD 000 A3	
DRAFT WHERE APPLICABLE MUST REMAIN WITHIN DIMENSIONS		THIRD ANGLE PROJECTION		DRAWING		SERIES		MATERIAL NUMBER		CUSTOMER	
				A1-SIZE		36638		GENERAL MARKET		SHEET NUMBER	
										4 OF 4	