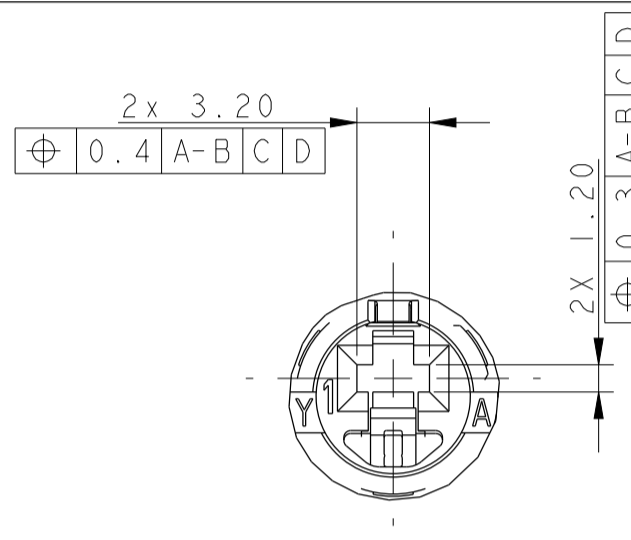
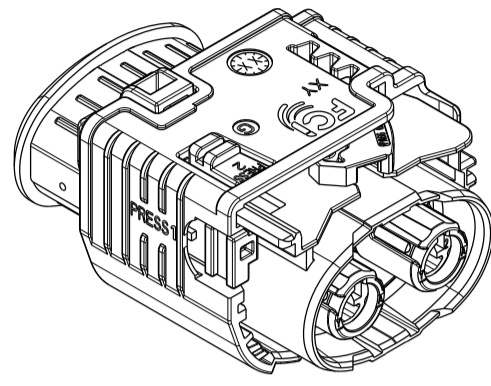
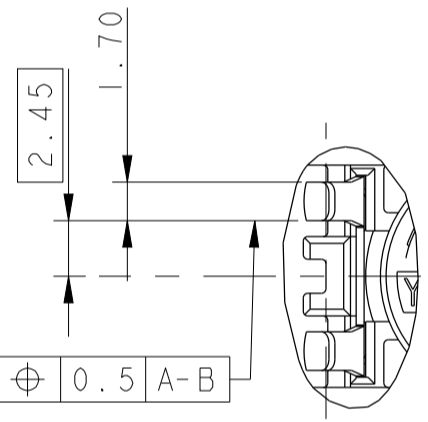


ECHELLE / SCALE 1:1

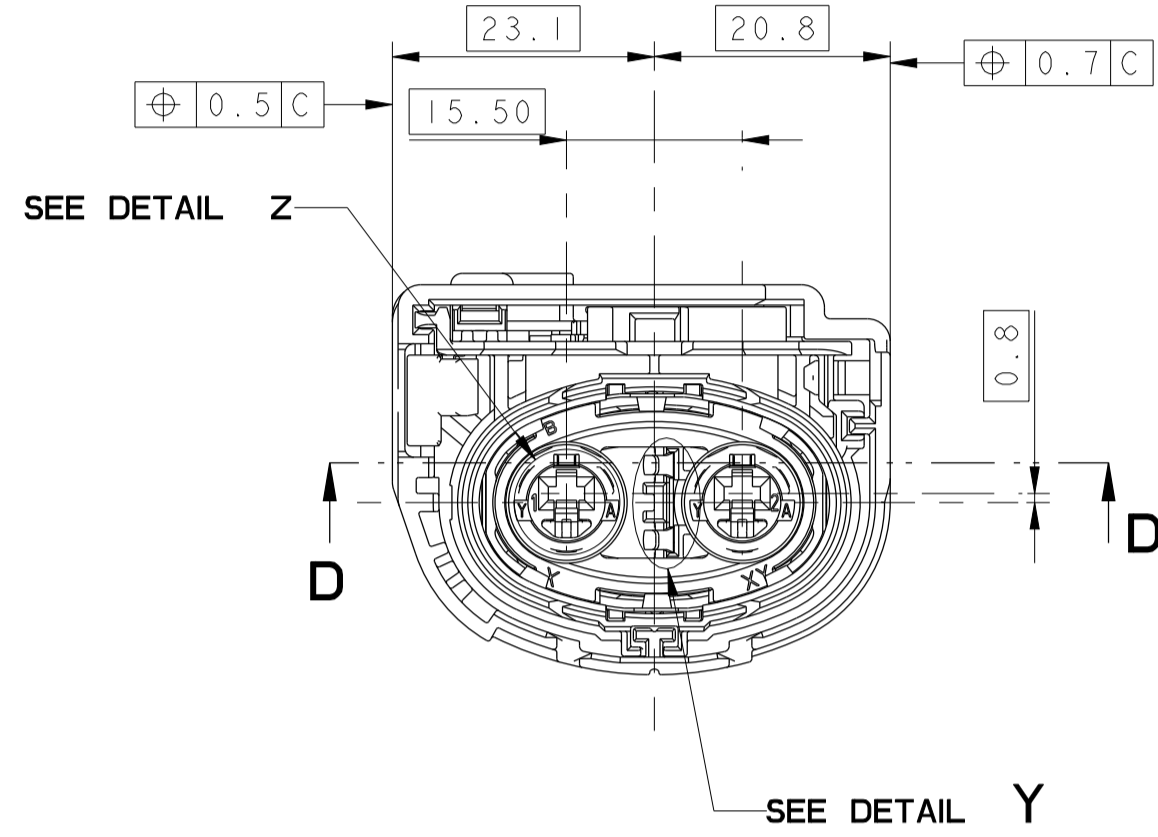
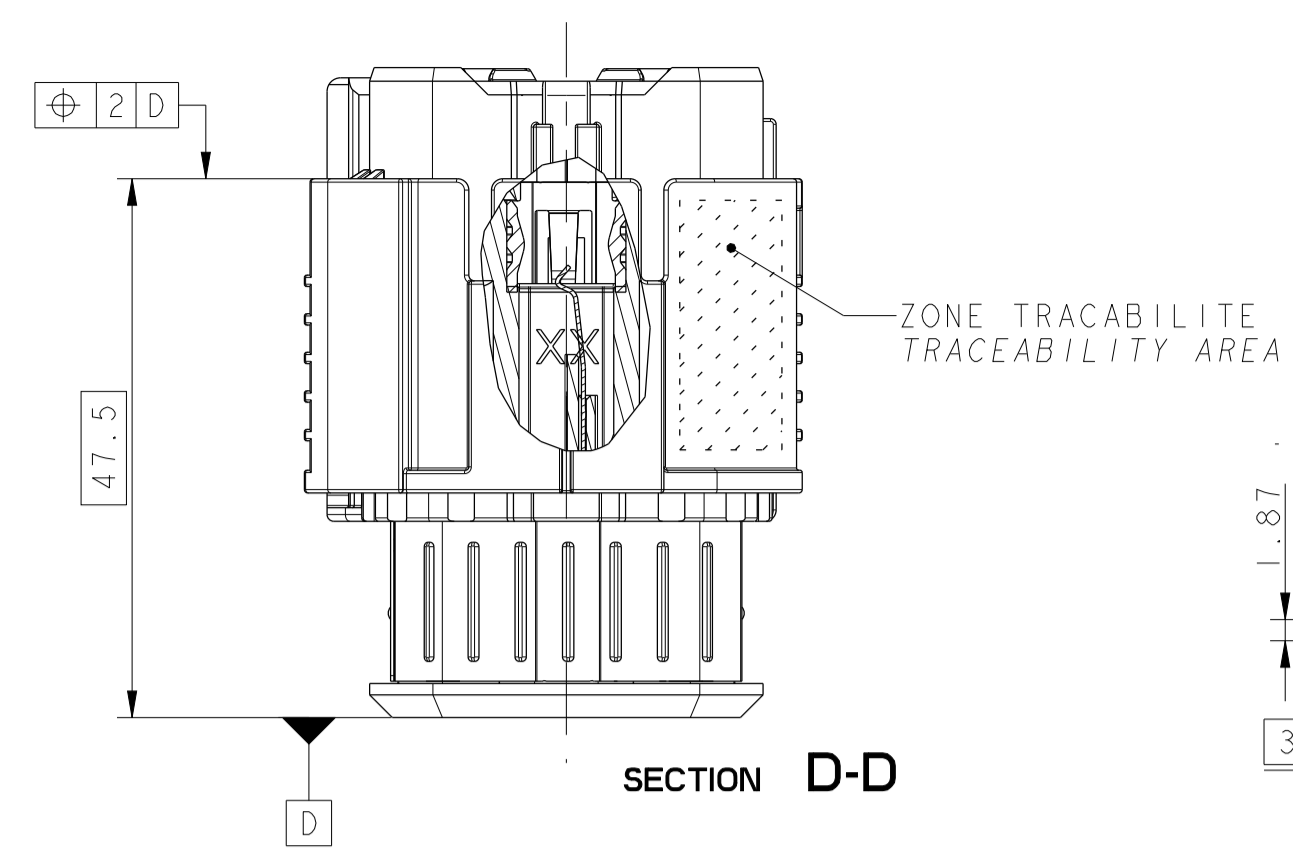


DETAIL ALVEOLE 2.8mm  
2.8mm DETAIL CAVITY

DETAIL Z  
SCALE 3:1

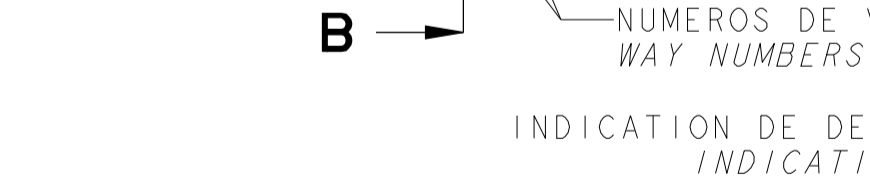
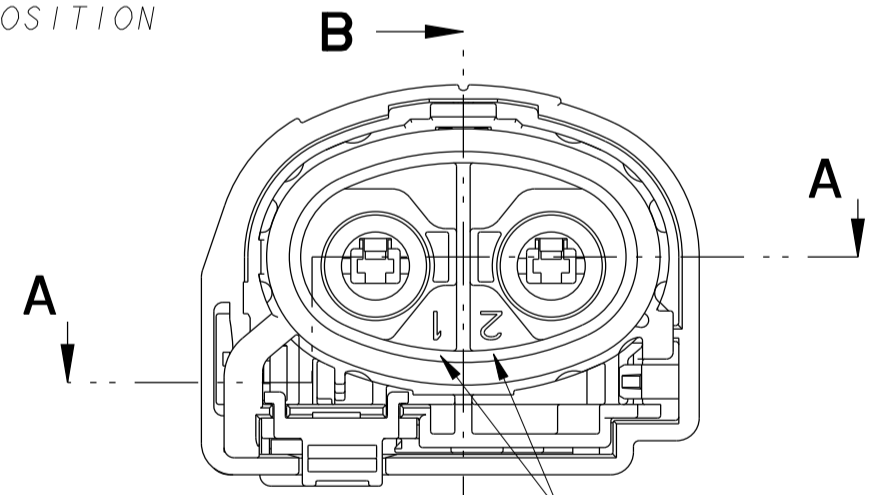


DETAIL Y  
SCALE 3:1  
SHUNT  
SHUNT

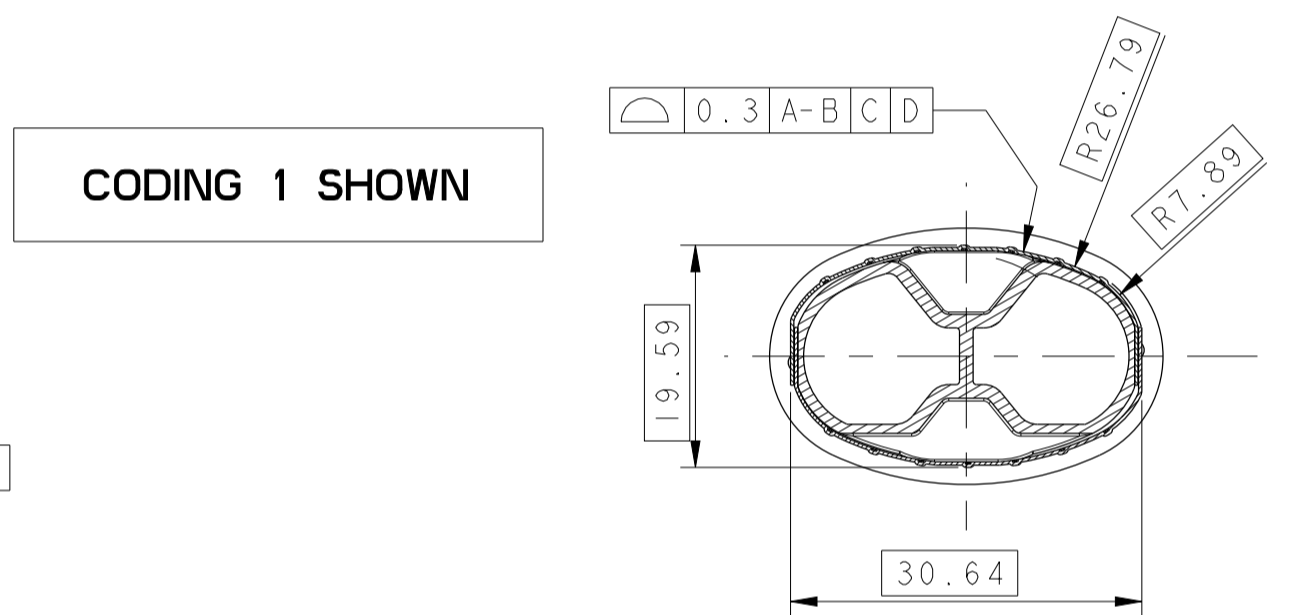
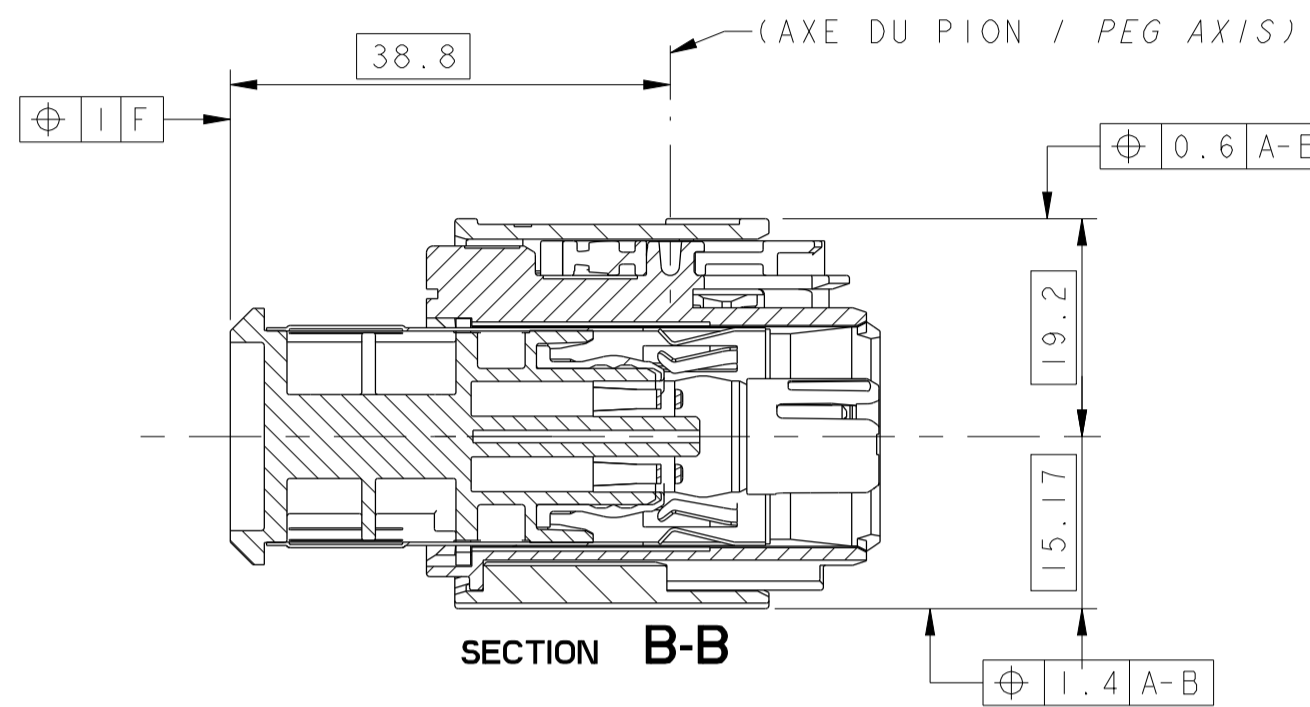
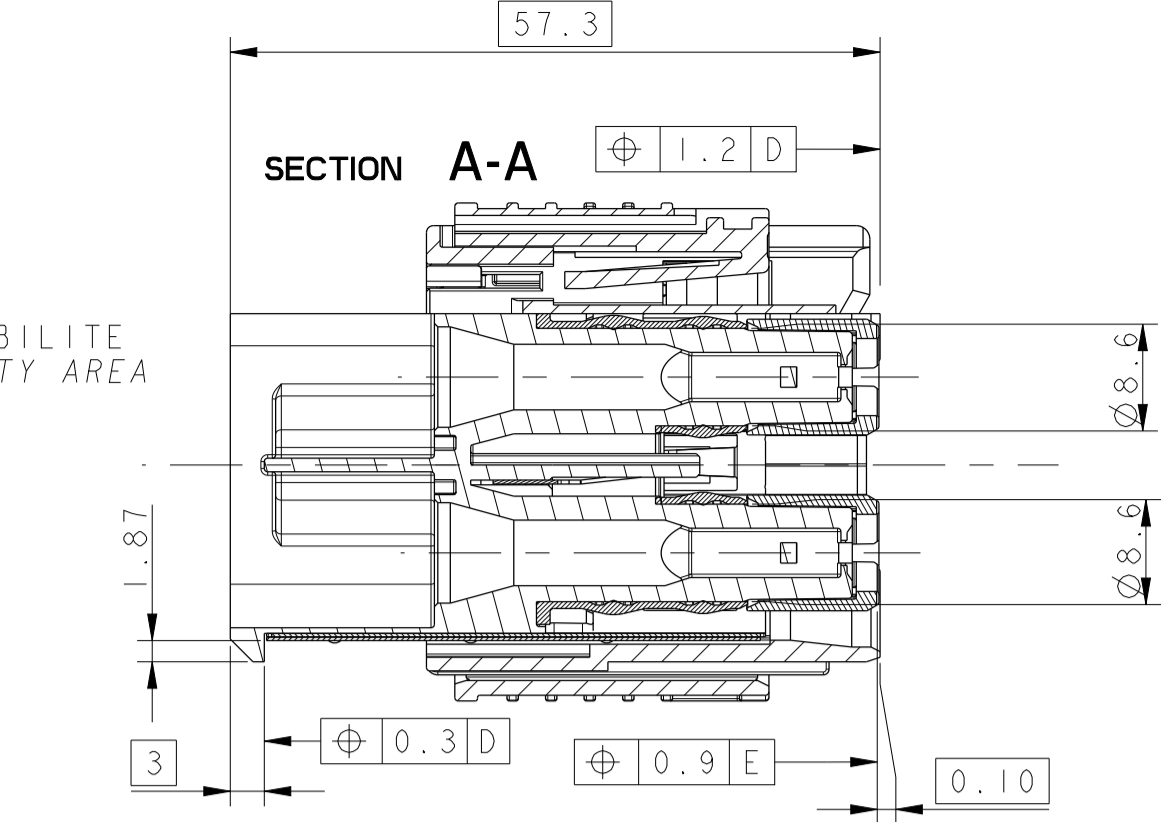


INDICE REV. CONNECTEUR  
REVISION PART LEVEL

INDICATION DE DEVERROUILLAGE DE  
LA POSITION INTERLOCK  
INDICATION TO UNLOCK THE  
INTERLOCK POSITION



INDICATION DE DEVERROUILLAGE DU CONNECTEUR  
INDICATION TO UNLOCK THE CONNECTOR



SECTION C-C  
REPRISE DE BLINDAGE  
BRAID SHIELDING CONTINUITY

CODING 1 SHOWN

NOTE :  
LA REFERENCE C EST DEFINIE AU MILIEU DU  
SEGMENT [AB] NORMAL A LA REFERENCE [A-B]  
THE REFERENCE C IS DEFINED ON THE MIDDLE OF  
THE SEGMENT [AB] NORMAL TO THE REFERENCE [A-B]

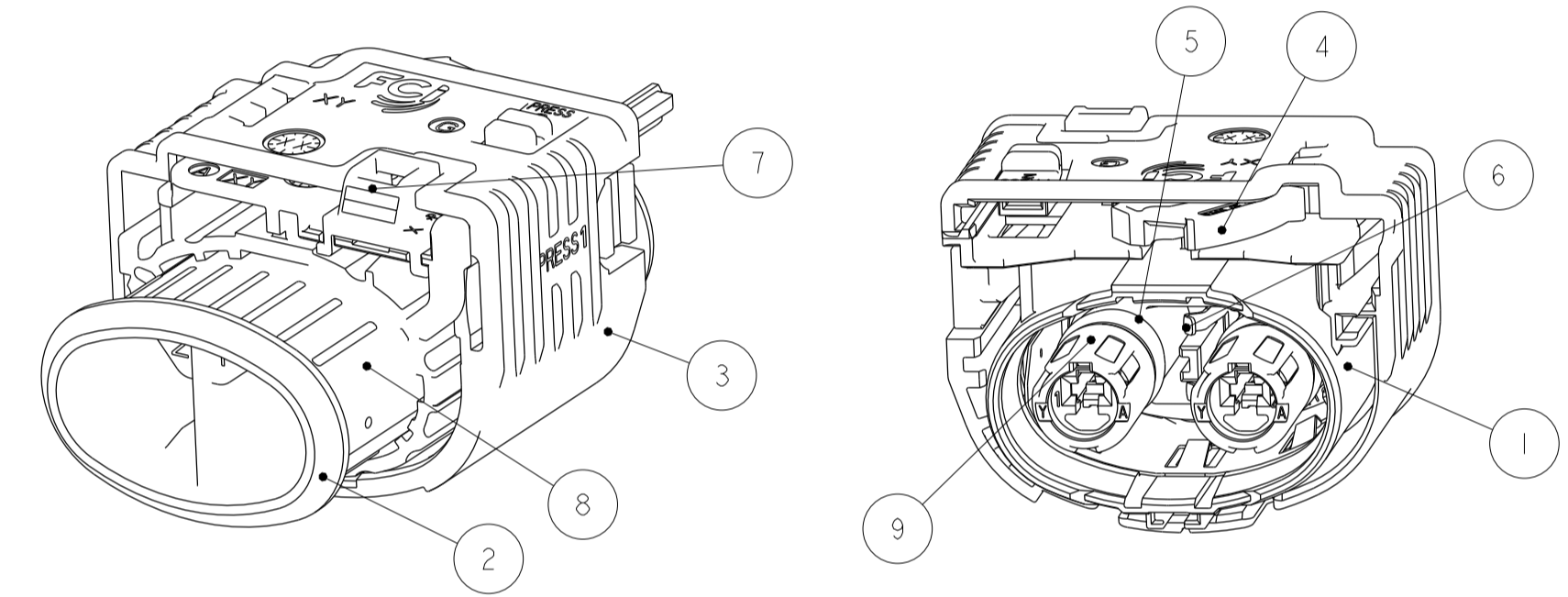
REFERENCE ET INDICE REVISION MVL MVL PART-N° AND REVISION LEVEL	F083110 REVISION G	F183110 REVISION G	A DEFINIR TO BE DEFINED
REFERENCE ET INDICE REVISION DELPHI DELPHI PART-N° AND REVISION LEVEL	PE246906 REVISION 01	33511765 REVISION 01	A DEFINIR TO BE DEFINED
CODAGE MECANIQUE MECHANICAL KEY	CODAGE 1 (NOIR) KEY 1 (BLACK)	CODAGE 2 (MARRON) KEY 2 (BROWN)	CODAGE 3 (GRIS) KEY 3 (GREY)
IDENTIFIANT IMDS IMDS ID	212987211	212989985	A DEFINIR TO BE DEFINED
SUIVANT VUE DE FACE FOLLOWING FRONT VIEW ECHELLE 3:2 SCALE 3:2			
TOLERANCE : ±0.15 / ±1° TOLERANCE : ±0.15 / ±1°			

PRODUITS ASSOCIES (POUR INFORMATION) / ASSOCIATED PARTS (FOR INFORMATION)

	REFERENCE MVL MVL PART-N°	REFERENCE DELPHI DELPHI PART-N°	SECTION DU FIL WIRE SECTION	DIAMETRE EXTERNE DU FIL EXTERNAL WIRE DIAMETER	REFERENCE MVL MVL PART-N°	REF / SWS REFERENCE DELPHI DELPHI PART-N°	COULEUR COLOUR
CLIPS APEX 2.8 ETAME TINNED APEX 2.8 FEMALE TERMINAL	5400 12 02	10810373	4mm <sup>2</sup>	3.4 MINI - 3.7 MAXI	C302400	PE246910	ROUGE REDDISH BROWN
EMBASE 2V APEX280 V2 CODE1 2W APEX280 V2 CODE1 HEADER	F873110						
EMBASE 2V APEX280 V2 CODE2 2W APEX280 CODE2 V2 HEADER	F973110						
EMBASE 2V APEX280 V2 CODE3 2W APEX280 V2 CODE3 HEADER							

TABLEAU DES COMPOSANTS CONSTITUANT LE PRODUIT  
COMPONENTS TABLE CONSTITUTING THE PRODUCT

REPERE	DESIGNATION TITLE	COULEUR COLOR	MATIERE MATERIAL	QUANTITE QUANTITY
1	BOITIER EXTERNE OUTER HOUSING	ORANGE ORANGE	PBT 15% FV PBT GF 15	1
2	BOITIER INTERNE INNER HOUSING	ORANGE ORANGE	PBT 15% FV PBT GF 15	1
3	ETRIER SLIDER DEVICE	VOIR TABLEAU DE CODAGE FEUILLE 1 SEE TABLE OF CODING SEE SHEET 1	PA6.6 30% FV PA6.6 GF 30	1
4	CAME ROTATIVE GEAR CAM	NOIR BLACK	PA6.6 30% FV PA6.6 GF 30	1
5	JOINT INTERFACIAL INTERFACIAL SEAL	GRIS GREY	SILICONE LSR LSR SILICON	1
6	SHUNT SHORTING BAR	-	ACIER INOXYDABLE STAINLESS STEEL	1
7	CPA CPA	BLEU BLUE	PA6.6 30% FV PA6.6 GF 30	1
8	BLINDAGE SHIELD PLUG	-	ALLIAGE DE CUIVRE COPPER ALLOY	2
9	CAPUCHON DE PROTECTION PROTECTIVE CAP	NOIR BLACK	PA6.6 30% FV PA6.6 GF 30	2



NOTAS :

- CAHIER DES CHARGES MVL : FE PS 10 006
- CLASSE DE TEMPERATURE DU CONNECTEUR : CLASSE 3 (-40°C ; +125°C)
- CLASSE DE VIBRATION :
  - PRECONDITIONNEMENT
  - VIBRATION 3x 16H (COMBINE AVEC TEMPERATURE -40°C / +125°C) ; 3.9g
- CLASSE D'ETANCHEITE :
  - 1000mb INITIAL
  - 500mb APRES LES TESTS D'ENVIRONNEMENT.
- EFFORT D'ACCOUPLLEMENT : F<60N
- CONDITIONNEMENT : FE PA 08 007
- DOSSIER DE MISE EN OEUVRE : PUI39
- MASSE DU PRODUIT : 0.045 kg ±10%
- CE PLAN EST UN EXTRAIT DU PLAN DE DEFINITION.  
ON FERA REFERENCE POUR TOUT LITIGE AUX PLANS DE DEFINITION.
- PLAN D'EMBASE / INTERFACE : REF MVL PCC0726959

NOTES :

- MVL SPECIFICATIONS: FE PS 10 006
- TEMPERATURE CLASS OF THE CONNECTOR: CLASS 3 (-40°C ; +125°C)
- VIBRATION CLASS:
  - PRECONDITIONING
  - VIBRATION 3x 16H (COMBINED WITH TEMPERATURE -40°C / +125°C) ; 3.9g
- SEALING CLASS:
  - 1000mb INITIAL
  - 500mb AFTER TEST ENVIRONMENT
- MATING FORCE: F<60N
- PACKAGING: FE PA 08 007
- HANDLING MANUAL: PUI39
- MASS OF THE PRODUCT: 0.045 kg ±10%
- THIS DRAWING IS AN EXTRACT OF THE DETAIL DRAWINGS.  
IN CASE OF CONFLICT, REFER TO THEM.
- HEADER / INTERFACE DRAWING: REF MVL PCC0726959

ECN-NO. NUMERO ECH	POSITION POSITION	CHANGE DESCRIPTION MODIFICATION	
PROJECT SPEC. SPECIF. PRODUIT	PACKAGING SPEC. SPECIF. EMBASE	APPLICATION SPEC. SPECIF. APPLICATION	COPYRIGHT DELPHI CORPORATION AND/OR ITS AFFILIATES. ALL RIGHTS RESERVED. REVISED THIS DRAWING IS THE PROPERTY OF DELPHI CORPORATION AND CONTAINS DELPHI CONFIDENTIAL INFORMATION. THE REPRODUCTION, DISTRIBUTION AND RELEASE OF THIS DOCUMENT OR ITS CONTENTS WITHOUT DELPHI'S WRITTEN PERMISSION IS PROHIBITED. DELPHI ASSUMES NO LIABILITY FOR ANY CONTENT TO OTHERS, WITHOUT EXPRESS AUTHORIZATION. IS PROHIBITED. DE TOUT CONTENU A AUTRUI, SANS AUTORISATION ECRITE, EST INTERDIT.
TOLERANCES TOLERANCES	±0.2	±2*	MATERIAL : MATERIE : SEE BOM ETAT DE SURFACE
CONTRIBUTOR CONTRIBUTEUR	SEE NOTES	COLOR : COULEUR	SEE BOM
DO NOT MEASURE DRAWING NE PAS MESURER LE DROIT	TOOL NO. OUTIL	ECO EXP. CODE CODE E.C.	FE
DATE	NAME	TITLE	DESIGNATION
2015/08/03	Gilles SCHMITZ	2W POWER APEX 280 V2 PLUG	
2015/08/03	F. FAHNE	2W APEX280 POWER V2	
2015/08/03	S. BLACOTE		
2015/08/03	Philippe MENARD		
FILE NAME NOM DE FICHER	PCC0726960		

**DELPHI**  
ELECTRICAL/ELECTRONIC ARCHITECTURE  
ELECTRONIC ENGINEERING

**DELPHI**  
ELECTRICAL/ELECTRONIC ARCHITECTURE  
ELECTRONIC ENGINEERING

DRAWING NUMBER  
REF. PLAN

Serial RELEASED

See Table

# Mouser Electronics

Authorized Distributor

Click to View Pricing, Inventory, Delivery & Lifecycle Information:

[Aptiv:](#)

[F083110-B](#) [F183110-B](#) [F083110](#) [F183110](#)