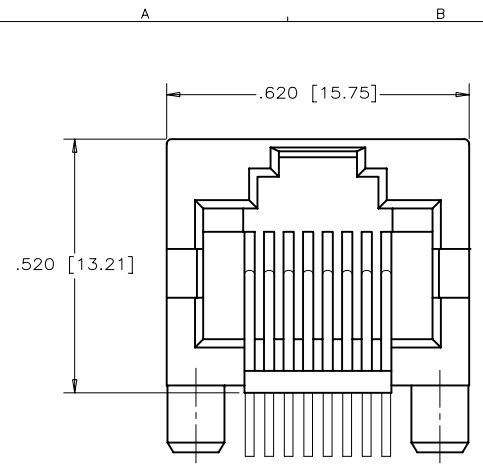
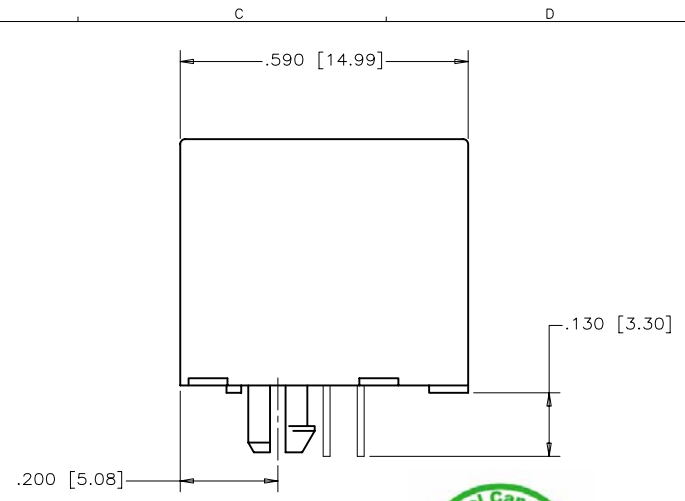


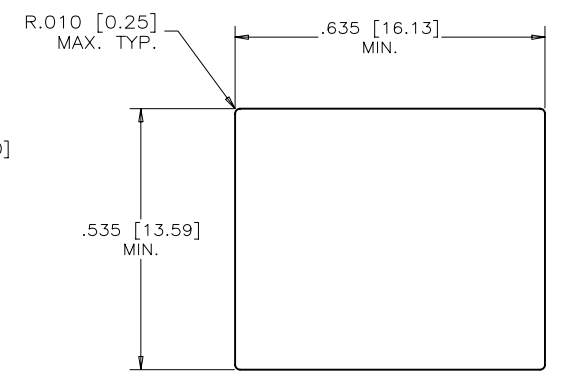
REVISIONS				
SYM	ZONE	ECN, ERN NO.	DATE	APPRD.
B		PER ECN E07294	SEP6/07	L.CHAN



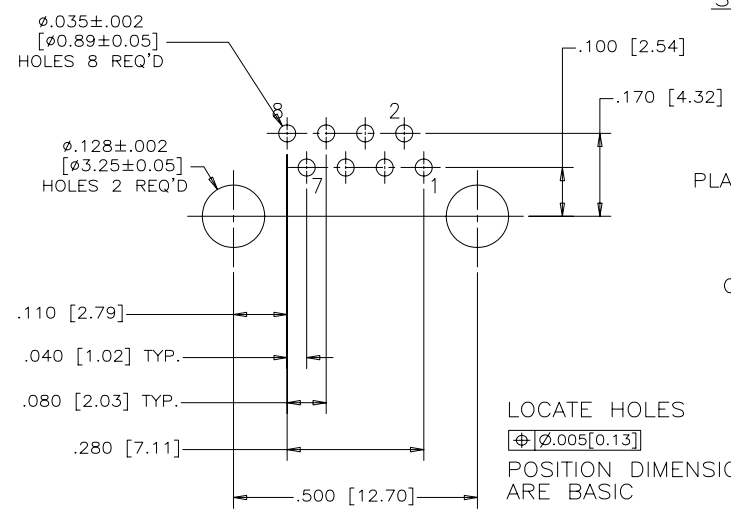
FRONT VIEW



SIDE VIEW



RECOMMENDED PANEL CUTOUT



RECOMMENDED P.C.B. LAYOUT
(COMPONENT SIDE OF BOARD)

MATERIALS:
 PLASTIC HOUSING: HIGH TEMPERATURE THERMOPLASTIC
 FLAMMABILITY RATING UL 94V-0, COLOR: BLACK

CONTACTS:
 PHOSPHOR BRONZE
 PLATING: 50 μ" [1.27 MICRONS]
 MIN. GOLD ON MATING SURFACES.
 50 μ" [1.27 MICRONS]
 MIN. NICKEL UNDERPLATE
 100 μ" [2.54 MICRONS]
 MIN. MATTE TIN ON CONTACT TAILS

LOCATE HOLES
 $\pm \phi .005 [0.13]$
 POSITION DIMENSIONS
 ARE BASIC

**DATA CONTROL
RELEASE**

DEPT. NO.--626--
DATE: SEP 10,2007

PART NUMBER: RJHSE-5080-A1

THIS DOCUMENT CONTAINS PROPRIETARY INFORMATION AND SUCH INFORMATION
 MAY NOT BE DISCLOSED TO OTHERS FOR ANY PURPOSE OR USED FOR MANUFACTURING
 PURPOSES WITHOUT WRITTEN PERMISSION FROM AMPHENOL CANADA CORP.

DRAWN PAUL WANG	DATE 05/12/16	Amphenol Canada Corp.
DESIGNED		
CHECKED CHIGOW	DATE 05/12/16	
I. E. APPRD.		
Q. A. APPRD.		TITLE SINGLE-PORT HIGH SPEED RJ45 MODULAR JACK, WITHOUT LED & SHIELD, 8 POS. 8 CONTACTS, .130" LONG CONTACT TAILS-RoHS COMPLIANT
DWG. APPRD.		
ENG. REL. NO.		DWG DRAWING NO. P-RJHSE-5080-A1
REF. EAR #A070902		REV. B
DIMENSIONS ARE IN INCHES [mm]	CODE ID. NO. 03554	SCALE: WT. ----- SURF. ----- SHEET 1 OF 1