

PRODUCT NUMBER
10075024-XXX-XXXLF

PLATING

S = 0.38µm GOLD ON CONTACT AREA
2µm MIN MATTE TIN ON TAIL
G = 0.76µm GOLD ON CONTACT AREA
2µm MIN MATTE TIN ON TAIL
F = GOLD FLASH ON CONTACT AREA
2µm MIN MATTE TIN ON TAIL

1.27µm MIN NICKEL UNDERPLATING

LEAD FREE
RoHS COMPATIBLE
NOTE 6

PACKAGING
NOTE 5

POSITIONS PER ROW
02 TO 25

SEE NOTE 9

PIN STYLE	DIM "A" ±0.25	DIM "B" ±0.20
01	4.00	2.00
02	6.90	2.00
03	5.80	2.00
04	6.00	3.00

NOTES:

- MATERIAL HOUSING: HIGH TEMP. THERMOPLASTIC
UL 94V-0, COLOR BLACK
- MATERIAL TERMINAL: COPPER ALLOY
- TO DETERMINE DIMENSIONS:
N = NUMBER OF POSITIONS PER ROW
- 7N MIN. PIN RETENTION IN EITHER DIRECTION.
- PACKAGING:
= STANDARD PACKAGING IN POLYBAG
U = TUBE WITHOUT PICK UP CAP
AVAILABLE FROM 03 TO 25 POS PER ROW
P = TUBE WITH PICK UP CAP
AVAILABLE FROM 03 TO 25 POS PER ROW
A = TAPE AND REEL WITH PICK UP CAP, AS AVAILABLE.

6. RoHS COMPATIBLE PRODUCT SPECIFICATIONS

a - PLATING:

- "LF" MEANS THE PRODUCT IS LEAD-FREE,
2µm MINIMUM MATTE TIN OVER 1.27µm
MINIMUM NICKEL UNDERPLATE.

b - MANUFACTURING PROCESS COMPATIBILITY

- THE HOUSING WILL WITHSTAND EXPOSURE TO
260°C PEAK TEMPERATURE FOR 30 SECONDS MAX
IN A CONVECTION, INFRA-RED, OR VAPOR PHASE
OR REFLOW OVEN

c - LABELLING:

- MEETS PACKAGING SPECS AS PER GS-14-920
- LEGAL STATEMENT: SEE GS-47-0004

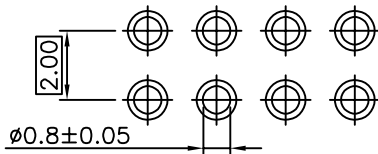
9. OPTIONAL LETTER:

- FOR FULL LOADED PRODUCT USE -
- FOR POLARIZED VERSIONS, SEE TABLE

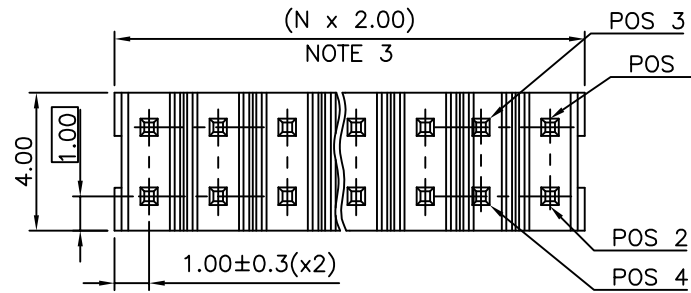
OPTIONAL LETTER FOR POLARIZED VERSION	MISSING PIN POSITION
A	20

2.00 TYP

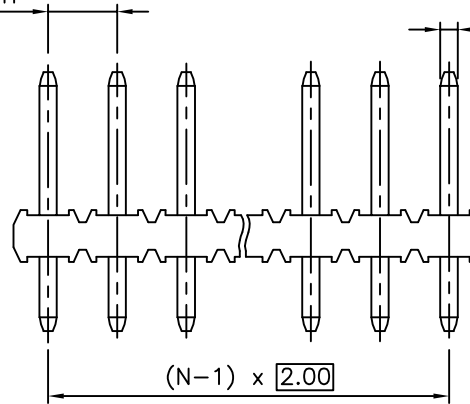
NON-ACCUMULATIVE



RECOMMENDED 1.6mm THICK PCB LAYOUT
STENCIL DESIGN RECOMMENDATIONS



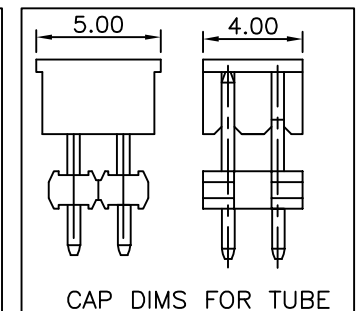
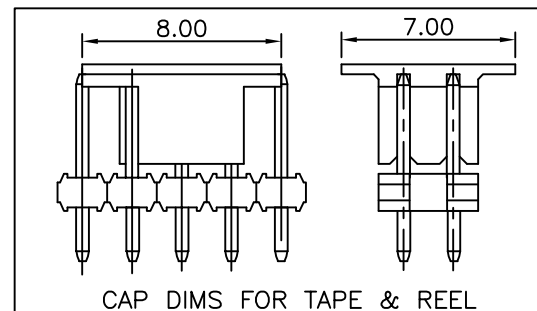
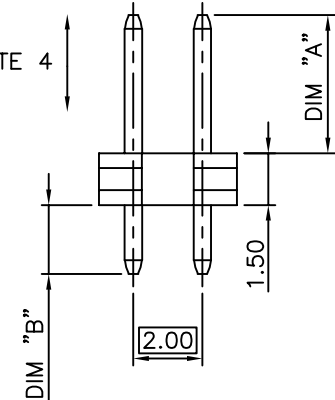
2.00 TYP



NOTE 3

SQUARE 0.51 REF

NOTE 4



mat'l. code		surface		tolerance		projection		product family	
		ISO 1302		ISO 406 ISO 1101		mm		MINITEK	
ltr	ecn no	dr	date	tolerances unless otherwise specified		mm		title	
H	B-19797	AMA	14.12.16	angles	.x ±0.3	mm		UNSHR.HEADER	
J	F-23051	AMA	16.01.15	linear	.xx ±0.15	mm		2.00 mm VERTICAL PIP	
K	F-26013	DDE	17.02.02		.xxx ±0.05	scale 5:1		dwg no	
L	F-27930	DDE	17.09.11	dr	L MULIN	07.01.04	sheet 1 of 1		size
				engr	J.COMPAGNON	07.01.04	10075024		A3
F	B-17556	JCO	14.04.23	chr			type		Drawing
G	B-19190	LMU	14.10.24	appd	JM.C	07.01.04	CUSTOMER		
sheet index	revision sheet								



Mouser Electronics

Authorized Distributor

Click to View Pricing, Inventory, Delivery & Lifecycle Information:

[FCI / Amphenol:](#)

[10075024-F01-02LF](#) [10075024-F01-03LF](#) [10075024-G01-02LF](#) [10075024-G01-03LF](#) [10075024-S01-02LF](#)
[10075024-S01-03LF](#) [10075024-F01-18ALF](#) [10075024-F01-20ALF](#) [10075024-F01-22ALF](#) [10075024-G01-18ALF](#)
[10075024-G01-20ALF](#) [10075024-G01-22ALF](#) [10075024-F01-04PLF](#) [10075024-F01-21PLF](#) [10075024-F01-08PLF](#)
[10075024-F01-10ALF](#) [10075024-F01-14PLF](#) [10075024-F01A22ULF](#) [10075024-F01-05PLF](#) [10075024-F01-06PLF](#)
[10075024-F01-16PLF](#) [10075024-F01-03PLF](#) [10075024-G01-10PLF](#) [10075024-G01-03ULF](#)