

4

3

2

1

THIS DRAWING IS UNPUBLISHED.

RELEASED FOR PUBLICATION

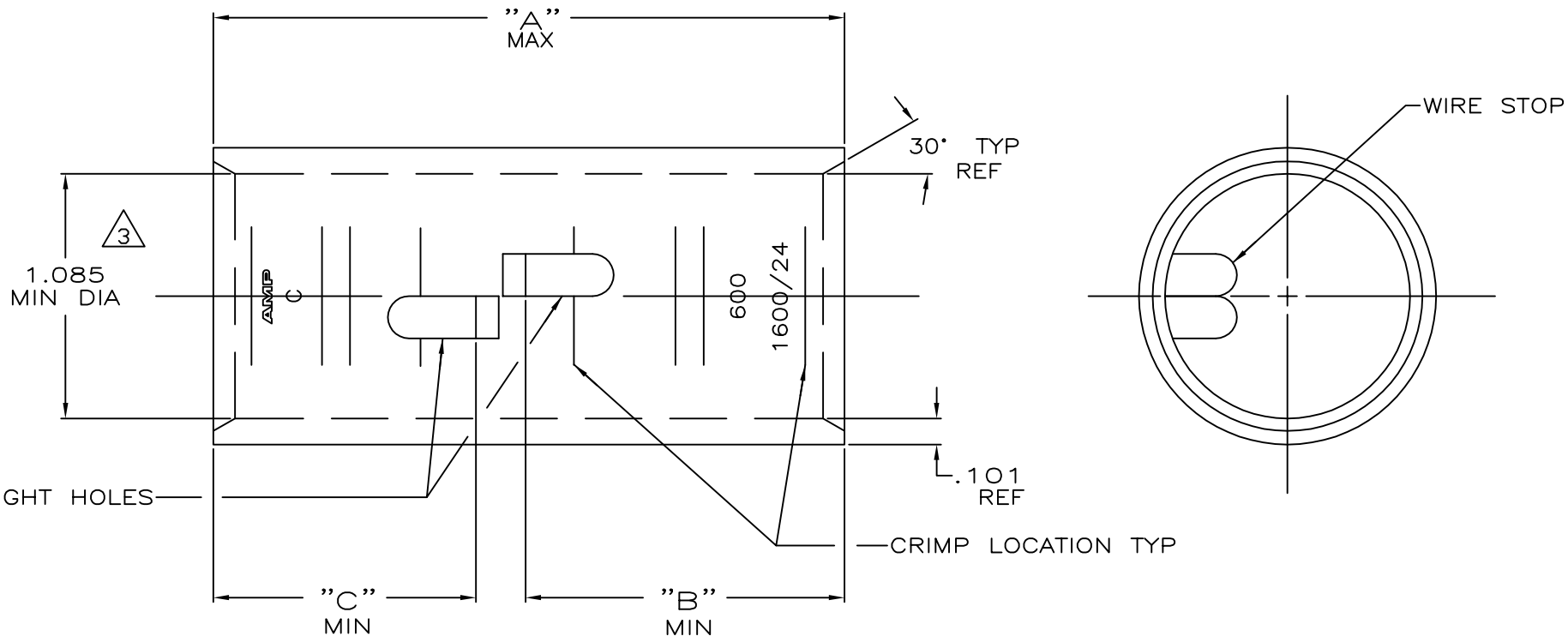
ALL RIGHTS RESERVED.

© COPYRIGHT - By -

LOC G DIST 86

REVISIONS

P	LTR	DESCRIPTION	DATE	DWN	APVD
	S	ECR-13-000998	11FEB2013	PK	HS



1 TIN PL .000150 MIN THK MIL-T-10727

2 PART NO: 324467; .317 LB.
PART NO: 1-324467-0; .317 LB.
PART NO: 2-324467-3; .348 LB.

3 .045 MAX BURR ALLOWED INSIDE THE WIRE BARREL ID IN AREA OF SIGHT HOLE.

1.16	1.41	2.86	1	550-650 MCM	COPPER ASTM-B-75 ANNEALED	2-324467-3
1.16	1.16	2.61	CLEANED 1			1-324467-0
"C"	"B"	"A"	FINISH	WIRE RANGE	MATERIAL	PART No 324467

THIS DRAWING IS A CONTROLLED DOCUMENT.

DWN DK SCHRUM 4/24/89		TE Connectivity
CHK MS FEHER 4/24/89		
APVD WJ VOCKROTH 11/8/89		
PRODUCT SPEC		
APPLICATION SPEC	NAME	
WEIGHT	SPLICE, BUTT, AMPPOWER WIRE SIZE: 600 MCM	
MATERIAL SEE TABLE	FINISH SEE TABLE	RESTRICTED TO
CUSTOMER DRAWING		SCALE 2:1 SHEET 1 OF 1 REV S

SIZE A3 CAGE CODE 00779 DRAWING NO C=324467

Mouser Electronics

Authorized Distributor

Click to View Pricing, Inventory, Delivery & Lifecycle Information:

[TE Connectivity:](#)

[2-324467-3](#)