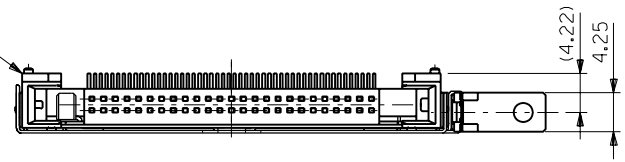


DWG. NO. SD-55356-002

△ HDR ASS'Y
55341-5010
(55340-5010)

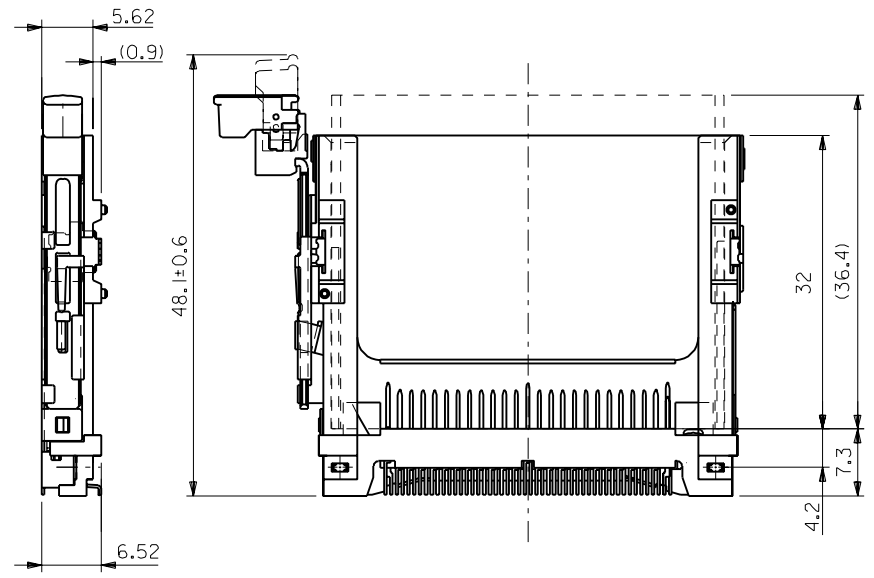
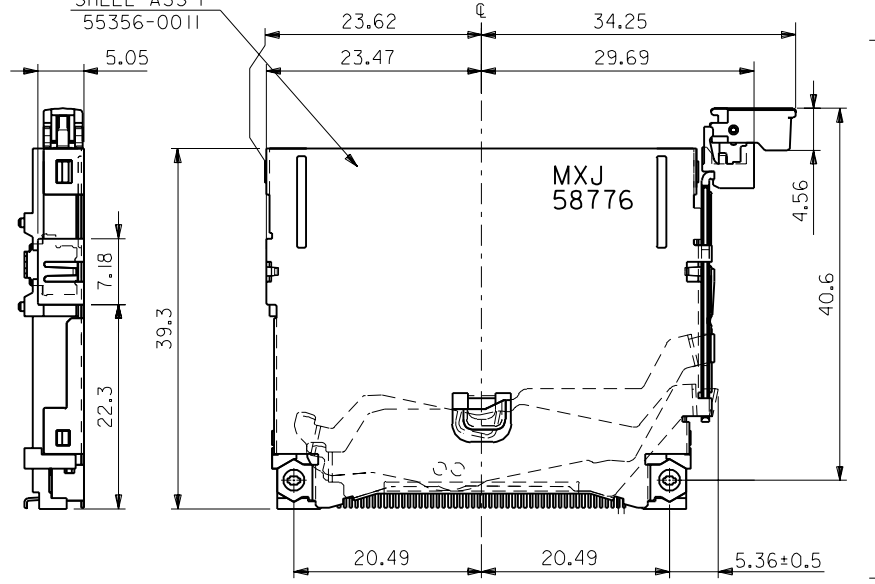


REFERENCE USE ONLY

注)
NOTES

- △1 ボタンストロークが 6mm の時、カード飛び出し量は (3.25mm)。
WHEN BUTTON PUSH STROKE IS 6mm, CARD OUT BY (3.25mm).
- 2. 適合 HEADER ASS'Y : 55340-5010(REVERSE), 55341-5010(NORMAL)
APPLICABLE HEADER ASS'Y : 55340-5010(REVERSE), 55341-5010(NORMAL)
- △3 SD-55341-003 (SD-55340-003) 参照
SEE SD-55341-003 (SD-55340-003)

SHELL ASS'Y
55356-0011



DO NOT SCALE DRAWING

EC NO. DRWN: CHK: APPR:	EC NO. DRWN: CHK: APPR:	EC NO. DRWN: CHK: APPR:	EC NO. DRWN: CHK: APPR:	SHEET 1 OF 2 参照 SEE SHEET 1 OF 2	DESCRIPTION	MATERIAL 材料	GENERAL TOLERANCES: (UNLESS SPECIFIED) 一般公差	SCALE 2 - 1	DESIGN UNITS <input checked="" type="checkbox"/> mm <input type="checkbox"/> INCH	DIMENSIONS: <input type="checkbox"/> mm <input type="checkbox"/> INCH <input checked="" type="checkbox"/> mm ONLY	SHT REV
							10 UNDER 未満	+0.2	DRAWN BY & DATE <i>M. Yanaka</i> '98/08/18	THIRD ANGLE PROJECTION	REVISE ON CAD ONLY
							10 OVER 以上	+0.25	CHECKED BY & DATE <i>H. Saito</i> '98/08/18		
							30 OVER 以上	+0.3	APPROVED BY & DATE <i>H. Saito</i> '98/08/18		
						FINISH 仕上り	ANGLE 角度	+3°	CAD FILENAME 55356002.S02	TITLE: CF CARD CONN. EJECT MECHANISM METAL SHELL ASS'Y (FOR LEFT SIDE BUTTON)	
						WIRE RANGE 適用線径範囲			MATERIAL NO. SEE SHEET 1 OF 2	MOLEX INCORPORATED	
						INS. RANGE 被覆外径			DRAWING NO. SD-55356-002	SHEET NO. 2	
							THIS DRAWING CONTAINS INFORMATION THAT IS PROPRIETARY TO MOLEX INCORPORATED AND SHOULD NOT BE USED WITHOUT WRITTEN PERMISSION.				SIZE B