

PRODUCT NUMBER

71918-YXXZZLF

RoHS COMPATIBLE, SEE NOTE 10

S= SPECIFIC CUSTOMER PLATING OPTION.

COLOR OPTION, SEE NOTE 1

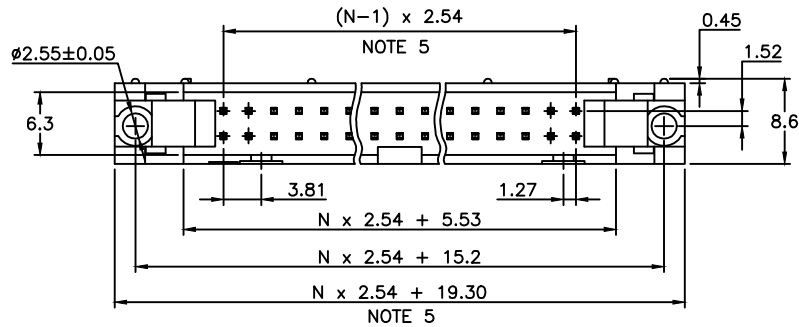
TOTAL NB OF POSITIONS, SEE SHEET 2

LATCHING

0= WITHOUT LATCH

1= STANDARD LATCH

2= LOW PROFILE LATCH



NOTES:

1 - HOUSING MATERIAL: GLASS FILLED THERMOPLASTIC UL94V-0  
 = STANDARD COLOR GREY  
 B = OPTION COLOR BLACK

2 - PIN MATERIAL : PHOSPHOR BRONZE

3 - PRODUCT PACKAGED IN TUBES

4 - 40N MIN LATCH RETENTION FORCE AT FIRST EXTRACTION

5 - TO DETERMINE DIMENSIONS :  
 N = NUMBER OF POSITIONS PER ROW  
 EXAMPLE : 8 POS  $N \times 2.54 = 20.32\text{mm}$

6 - NO CENTRAL SLOT ON POSITIONS 6 & 8

7 - NO LEFT POLARIZATION ON POSITIONS 06, 08, 10, 14.

8 - NO GROOVE ON POSITIONS 06, 08, 10, 14, 30, 34

9 - 4.5mm SOLDER TAIL  
 ORDER 71918-4XX (WITH STANDARD LATCH ONLY)

10 - RoHS COMPATIBLE PRODUCT SPECIFICATIONS

a - PLATING:

- "LF" MEANS THE PRODUCT IS LEAD-FREE,  
 2 $\mu\text{m}$  MINIMUM MATTE TIN OVER 1.27 $\mu\text{m}$   
 MINIMUM NICKEL UNDERPLATE.

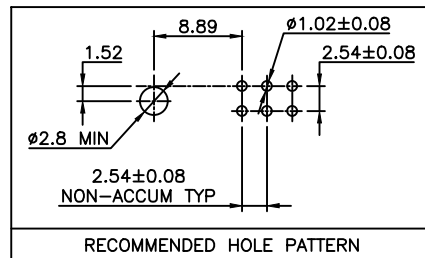
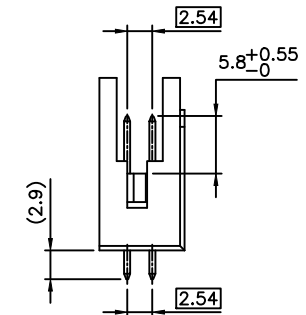
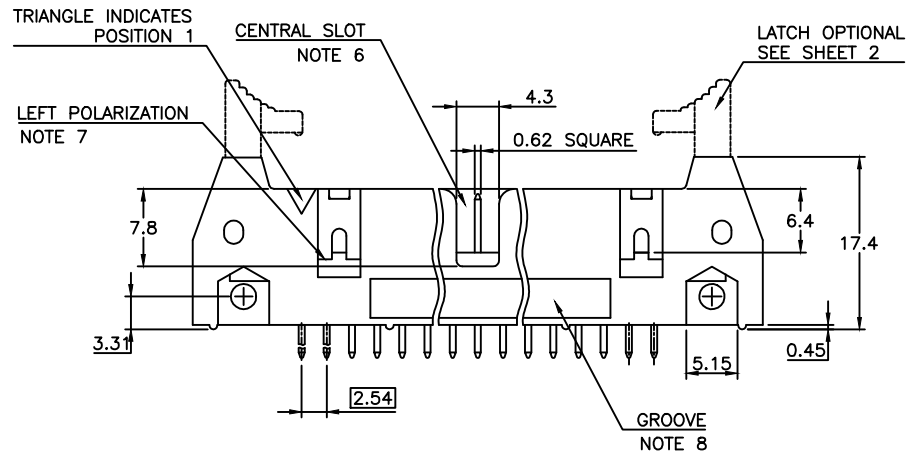
b - MANUFACTURING PROCESS COMPATIBILITY

- THE HOUSING WILL WITHSTAND EXPOSURE TO  
 260°C  $\pm$ 5°C SOLDER BATH TEMPERATURE FOR  
 5 SECONDS IN A WAVE SOLDER APPLICATION  
 WITH A 1.6mm MIN THICK CIRCUIT BOARD.

c - LABELING:

- MEETS PACKAGING SPECS AS PER GS-14-920

d - LEGAL STATEMENT: SEE GS-47-0004.



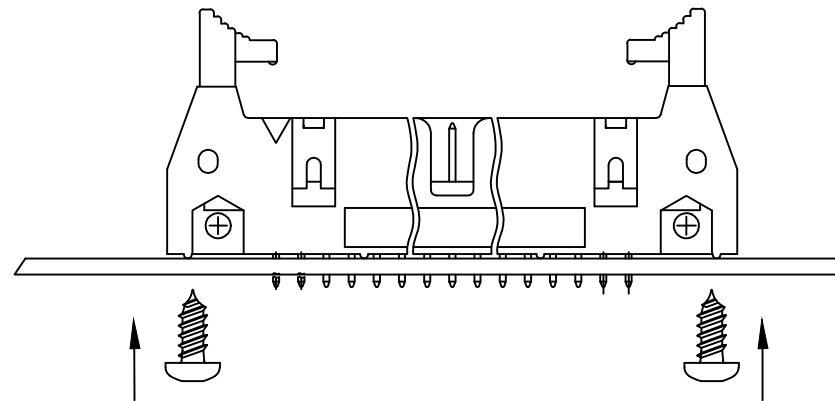
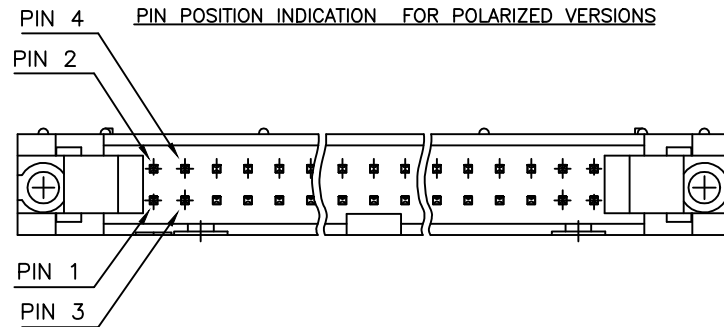
mat'l. code		surface		tolerance		projection		product family	
SEE NOTES		ISO 1302		ISO 406 ISO 1101		mm		QUICKIE	
ltr	ecn no	dr	date	tolerances unless otherwise specified		mm		title	
Y	F12-0838	LMU	12.12.06	angles	.X $\pm$ 0.3	scale 2:1		SHR.EL.HEADER	
AA	B-16776	LMU	14.01.23	linear	.XX $\pm$ 0.13			STR DR TMT	
AB	B-17853	LMU	14.06.05		.XXX $\pm$ 0.05			dwg no	
AC	B-19091	LMU	14.10.16	dr	D.LE	01.01.24		sheet 1 of 2	
AD	B-20412	BVE	15.03.10	engr	JM.C	01.01.24		size	
AE	F-23514	LMU	16.03.14	chr	JF.N	01.01.24		71918	
				appd	JM.C	01.01.24		A3	
sheet	revision	AE	Y					type	
index	sheet	1	2					CUSTOMER Drawing	

PRODUCT NUMBER	SIZE	LATCHING AVAILABILITY	MISSING PIN POSITIONS
71918-X06(B)LF	2x3	0/1/2	
71918-X08(B)LF	2x4	0/1/2	
71918-X10(B)LF	2x5	0/1/2	
71918-X14(B)LF	2x7	0/1/2	
71918-X16(B)LF	2x8	0/1/2	
71918-X18(B)LF	2x9	0/1/2	
71918-X20(B)LF	2x10	0/1/2	
71918-X26(B)LF	2x13	0/1/2	
71918-X27(B)LF	2x13	0/1/2	PIN 21 & 22
71918-X28(B)LF	2x13	0/1/2	PIN 5 to 12
71918-X30(B)LF	2x15	0/1/2	
71918-X34(B)LF	2x17	0/1/2	
71918-X35(B)LF	2x17	0/1/2	PIN 2 & 3
71918-X40(B)LF	2x20	0/1/2	
71918-X44(B)LF	2x22	0/1/2	
71918-X45(B)LF	2x22	0/1/2	PIN 9;10;23;24
71918-X50(B)LF	2x25	0/1/2	
71918-X51(B)LF	2x25	0/1/2	PIN 39 to 46
71918-X60(B)LF	2x30	0/1/2	
71918-X64(B)LF	2x32	0/1/2	

PLATING :

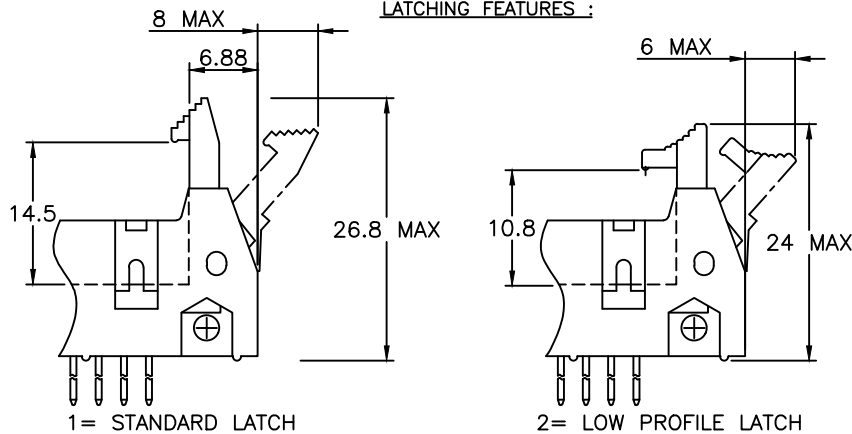
- 0.76µm GOLD/GXT (PdNi WITH GOLD FLASH) ON CONTACT AREA
- 2µm MIN MATTE TIN ON TAIL
- UNDERPLATE : 1.27µm Ni MIN

PIN POSITION INDICATION FOR POLARIZED VERSIONS



WHEN THE CONNECTORS NEED TO BE FIXED ON THE PCB'S THE STAINLESS SCREWS REF TC POZI DIN7981 Ø2.9 X 6.5MM TO BE USED

LATCHING FEATURES :



mat'l. code		surface		tolerance		projection		product family	
		ISO 1302 ✓		ISO 406 ISO 1101		mm		QUICKIE	
ltr		ecn no		dr		date		title	
Y		F-23514		LMU		16.03.14		SHR.EL.HEADER	
				angles		linear		STR DR TMT	
T		F12-001		LMU		12.02.06		scale 2:1	
U		F12-0838		LMU		12.12.06		dr	
V		B-16776		LMU		14.01.23		engr	
W		B-19091		LMU		14.10.16		chr	
X		B-20412		BVE		15.03.10		appd	
sheet		revision							
index		sheet							



Copyright FCI

# Mouser Electronics

Authorized Distributor

Click to View Pricing, Inventory, Delivery & Lifecycle Information:

## [FCI / Amphenol:](#)

[71918-120LF](#) [71918-144](#) [71918-210-SP](#) [71918-220](#) [71918-226](#) [71918-250](#) [71918-264](#) [71918-110LF](#) [71918-150LF](#) [71918-140LF](#) [71918-108LF](#) [71918-116LF](#) [71918-126LF](#) [71918-106LF](#) [71918-114LF](#) [71918-010](#) [71918-016](#) [71918-026](#) [71918-034](#) [71918-040](#) [71918-234](#) [71918-260](#) [71918-440](#) [71918-114](#) [71918-110](#) [71918-150](#) [71918-116](#) [71918-160](#) [71918-126](#) [71918-120](#) [71918-164](#) [71918-106](#) [71918-140](#) [71918-134](#) [71918-210](#) [71918-144LF](#) [71918-220LF](#) [71918-226LF](#) [71918-250LF](#) [71918-264LF](#) [71918-120RLF](#) [71918-130RLF](#) [71918-264RLF](#) [71918-210LF](#) [71918-134LF](#) [71918-020LF](#) [71918-164LF](#) [71918-160LF](#) [71918-006LF](#) [71918-008LF](#) [71918-010LF](#) [71918-014LF](#) [71918-016LF](#) [71918-018LF](#) [71918-026LF](#) [71918-030LF](#) [71918-034LF](#) [71918-040LF](#) [71918-044LF](#) [71918-050LF](#) [71918-060LF](#) [71918-064LF](#) [71918-118LF](#) [71918-130LF](#) [71918-206LF](#) [71918-208LF](#) [71918-214LF](#) [71918-216LF](#) [71918-218LF](#) [71918-230LF](#) [71918-234LF](#) [71918-240LF](#) [71918-244LF](#) [71918-260LF](#) [71918-414LF](#) [71918-416LF](#) [71918-434LF](#) [71918-440LF](#) [71918-450LF](#) [71918-460LF](#) [71918-464LF](#) [71918-210RLF](#) [71918-220RLF](#) [71918-226RLF](#) [71918-134SLF](#) [71918-151LF](#) [71918-128LF](#) [71918-116BLF](#) [71918-150BLF](#) [71918-140BLF](#) [71918-426LF](#)