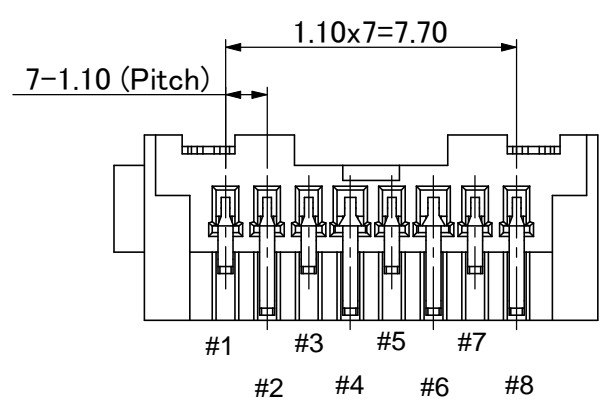
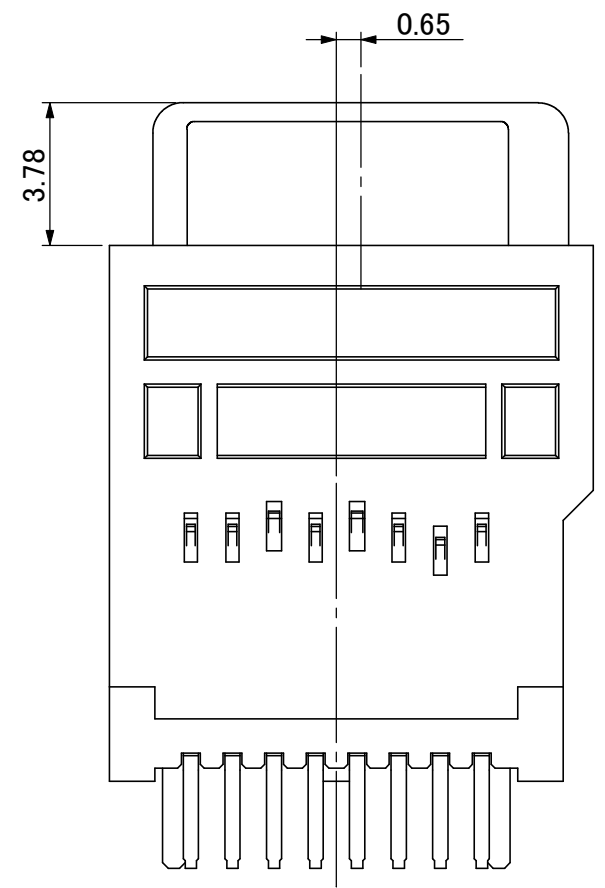
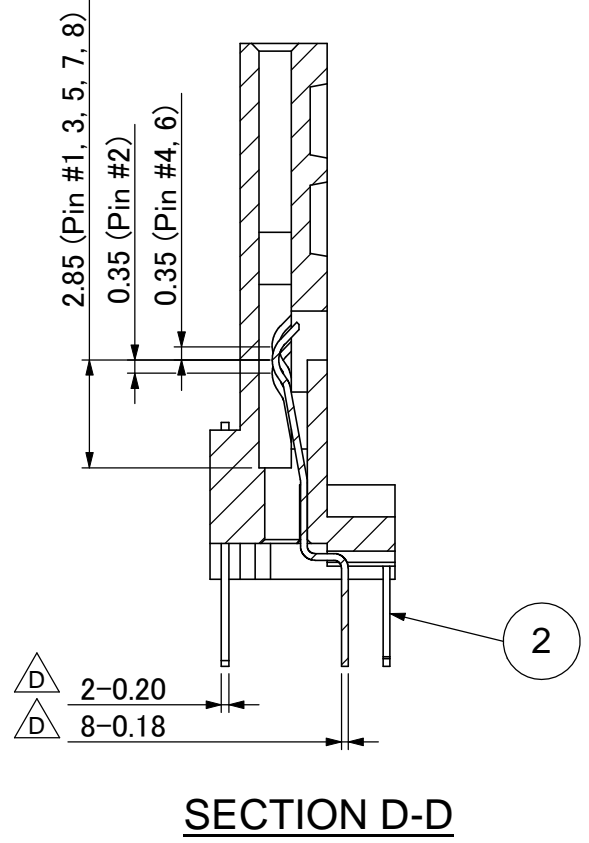
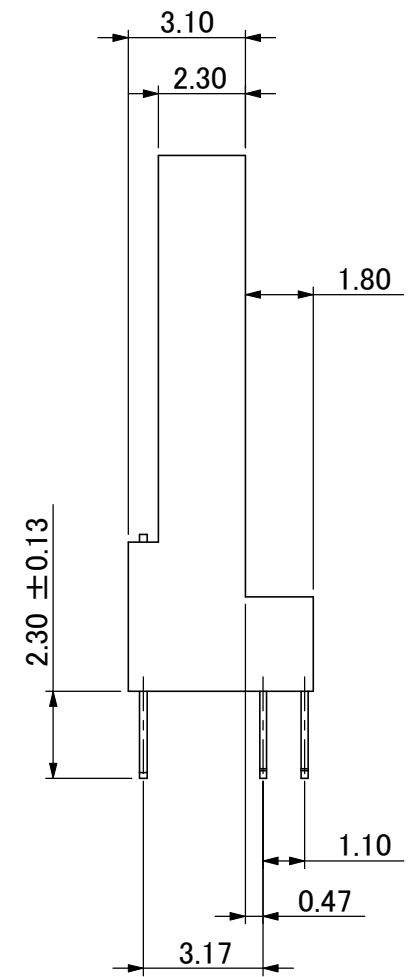
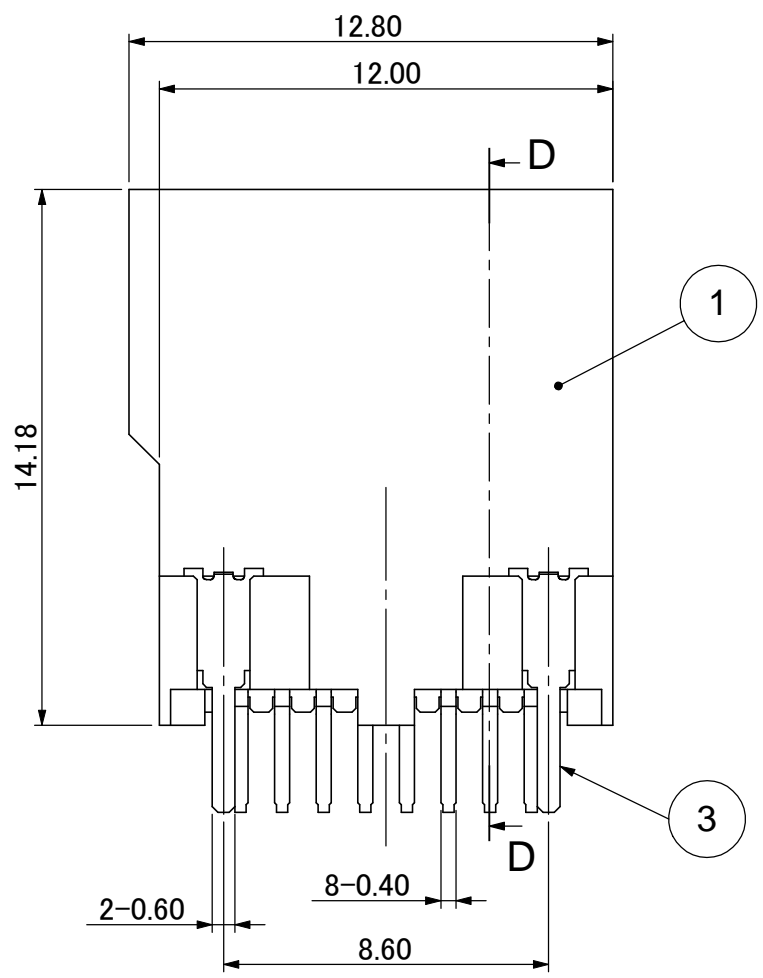
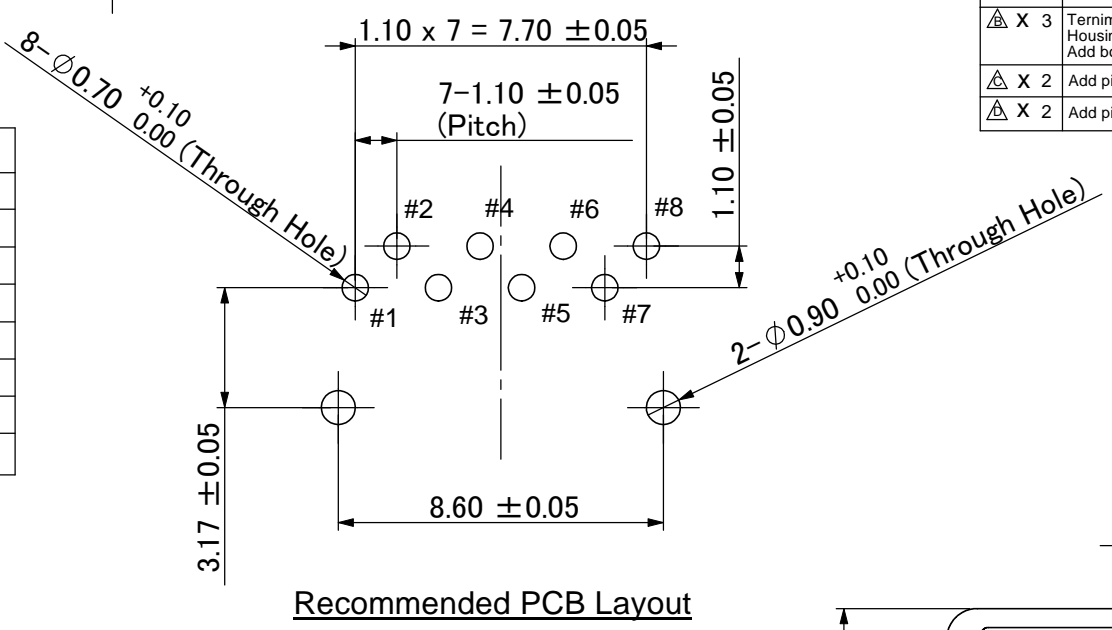
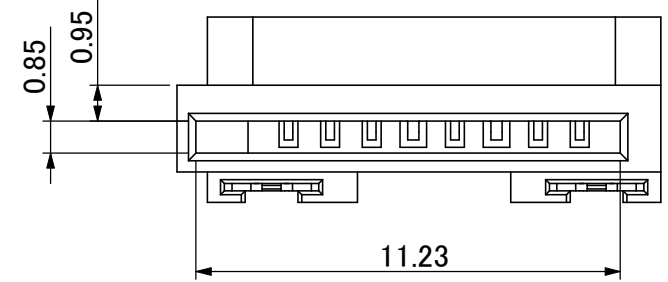


	REVISION DESCRIPTION	APP.	DRW.	DATE	CHANGE No.
△ X 3	Terminal dimension change Housing shape change Add bottom view	K.A	K.A	05/06/09	—
△ X 2	Add pin assignment	K.A	K.A	05/18/09	—
△ X 2	Add pin thickness dimensions	K.A	R.Y	08/28/12	DC12-0068

Pin #	Description
1	DAT2
2	CD/DAT3
3	CMD
4	VDD
5	CLK
6	VSS
7	DAT0
8	DAT1



3	DIP pin	2	Brass, t=0.20	Ni-Tin
2	Contact	8	PB, t=0.18	Ni-Au/Tin
1	Housing	1	LCP	Black
Item No.	Description	Qty.	Material	Content

Tolerances $\pm 0.3$ unless otherwise specified. ( ) Reference value										
SCALE 5 / 1						CLASS microSD manual, Vertical mount				
DIMENSION mm						Part # PJS008U-3000-0				
ANGLE PROJ 3rd						DRW No. YEU-A1146		Sheet No. /		REV. D
										A3-001

# Mouser Electronics

Authorized Distributor

Click to View Pricing, Inventory, Delivery & Lifecycle Information:

[Yamaichi Electronics:](#)

[PJS008U-3000-0](#)