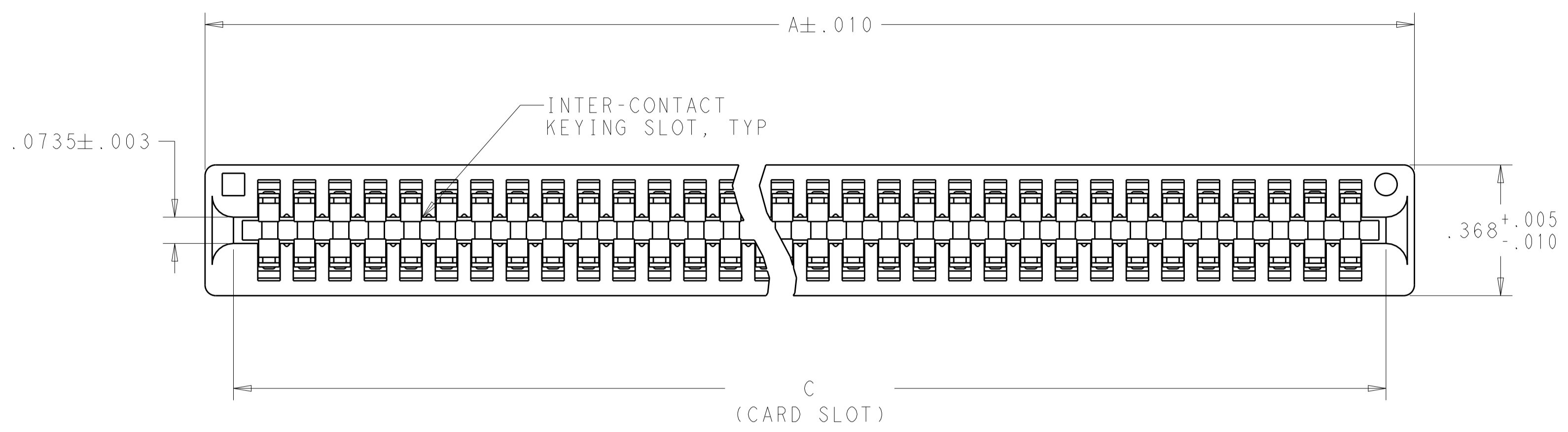


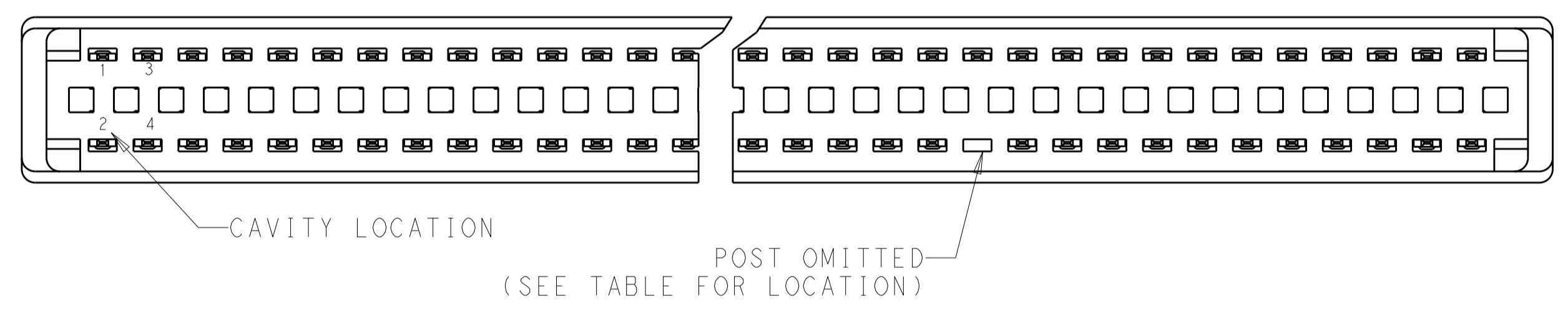
| REVISIONS |     |                       |           |       |
|-----------|-----|-----------------------|-----------|-------|
| P.        | LTM | DESCRIPTION           | DATE      | APVD  |
| F6        |     | REV PER ECR-15-006525 | 27APR2014 | SZ SZ |
| F7        |     | REV PER ECO-15-007413 | 18MAY2015 | SZ SZ |
| F8        |     | REV PER ECR-15-018146 | 15DEC2015 | SZ SZ |



- 1 MATERIAL:  
HOUSING - GLASS FILLED POLYESTER, COLOR BLACK  
CONTACT - PHOSPHOR BRONZE
- 2 FINISH:  
(SEE TABLE FOR GOLD PLATING) IN CONTACT AREA.  
.000100 MIN MATTE TIN ON SOLDER POSTS. ALL OVER  
.000050 MIN THK. NICKEL
- 3 AMP LOGO, TE PART NUMBER, DATE CODE AND CSA LOGO INK STAMPED WHITE (HOT STAMPED OR LAZER PRINTED) IN THE APPROXIMATE AREA SHOWN, EITHER SIDE PERMISSABLE WHEN HOUSING SIZE PERMITS
- 4. RECOMMENDED PCB FINISHED HOLE  $\varnothing .040 \pm .003$
- 5 .000015 MIN
- 6 .000030 MIN
- 7 OBSOLETE PARTS: OBSOLETE CIS STREAMLINING PER D.RENAUD/D.SINISI

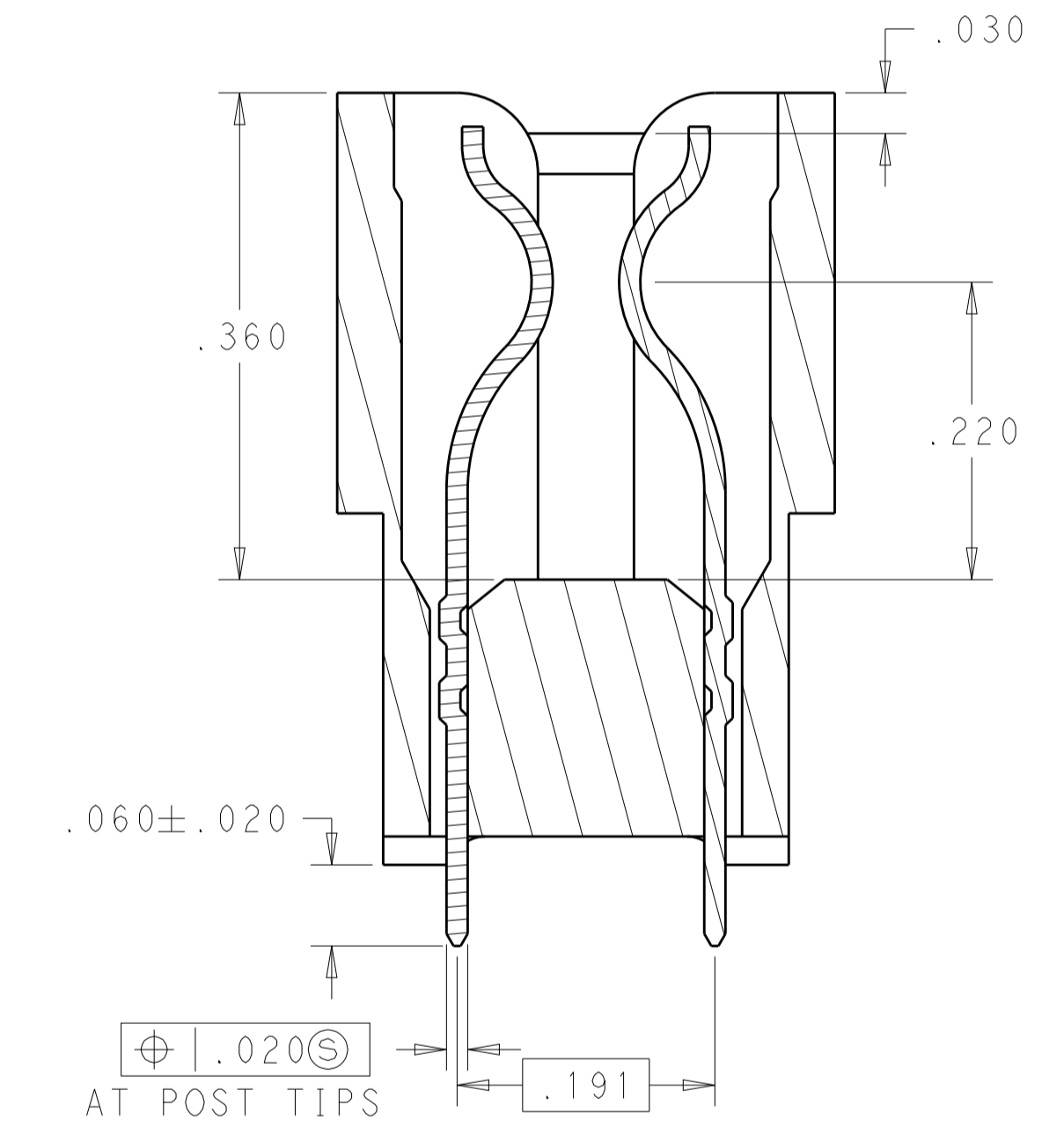


BOARD RETENTION FEATURE  
8-530843-3 ONLY

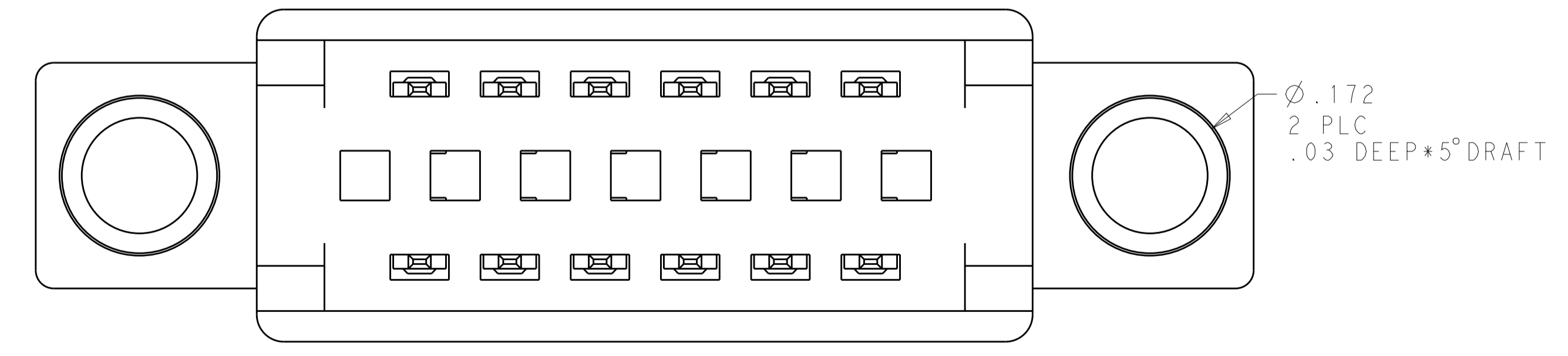


|  |        |                       |                                   |  |
|--|--------|-----------------------|-----------------------------------|--|
| THIS DRAWING IS A CONTROLLED DOCUMENT.   |        | DWN<br>AWF/GRZYBOWSKI | 30OCT2009                         | <br>TE Connectivity  |
| DIMENSIONS:<br>INCHES  |        | CHK<br>E.HOWARD       | APVD<br>M.PERCHEK                 |  |
| TOLERANCES UNLESS OTHERWISE SPECIFIED:   |        | PRODUCT SPEC          | 108-9039                          | NAME<br>CONNECTOR ASSEMBLY<br>STANDARD EDGE II,<br>.100 CENTERLINE |
| 0 PLC $\pm$<br>1 PLC $\pm .005$<br>2 PLC $\pm$<br>3 PLC $\pm$<br>4 PLC $\pm$<br>ANGLES $\pm$ |        | APPLICATION SPEC      | 114-13018                         |  |
| MATERIAL   | FINISH | WEIGHT                | SIZE<br>A100779                   | RESTRICTED TO  |
|  |        |                       | CAGE CODE DRAWING NO<br>C=5530843 |  |
| CUSTOMER DRAWING   |        |                       | SCALE 4:1                         | SHEET 1 OF 4   |
|  |        |                       | REV F8                            |  |

| REVISIONS |     |             |      |      |
|-----------|-----|-------------|------|------|
| P.        | LTN | DESCRIPTION | DATE | APVD |
| -         | -   | SEE SHEET 1 | -    | -    |
|           |     |             |      |      |
|           |     |             |      |      |



SECTION A-A



PART 8-5530843-6

|  |             |                               |  |
|--|-------------|-------------------------------|--|
| THIS DRAWING IS A CONTROLLED DOCUMENT. |             | DWN: AWF/GRZYBOWSKI 30OCT2009 | TE Connectivity  |
| DIMENSIONS: INCHES                     |             | CHK: E. HOWARD                |  |
| TOLERANCES UNLESS OTHERWISE SPECIFIED: |             | APVD: M. PERCHERK 30OCT2009   | NAME: CONNECTOR ASSEMBLY STANDARD EDGE II, .100 CENTERLINE |
| 0 PLC ±                                | 1 PLC ±.005 | PRODUCT SPEC: 108-9039        | SIZE: 114-13018  |
| 2 PLC ±                                | 3 PLC ±     | APPLICATION SPEC: 114-13018   | RESTRICTED TO: -   |
| 4 PLC ±                                | ANGLES ±.2  | WEIGHT: -                     | SCALE: 4:1   |
| MATERIAL: -                            | FINISH: -   | CUSTOMER DRAWING              | SHEET 2 OF 4   |
| A100779C=5530843                       |             |                               | REV: F8  |

| REVISIONS |     |             |      |      |
|-----------|-----|-------------|------|------|
| P.        | LTN | DESCRIPTION | DATE | APPV |
| -         | -   | SEE SHEET 1 | -    | -    |
|           |     |             |      |      |
|           |     |             |      |      |

|             |             |
|-------------|-------------|
| OBSOLETE    | 8-5530843-2 |
| OBSOLETE    | 8-5530843-1 |
| OBSOLETE    | 4-5530843-1 |
| OBSOLETE    | 1-5530843-9 |
| OBSOLETE    | 1-5530843-2 |
| PART NUMBER |             |

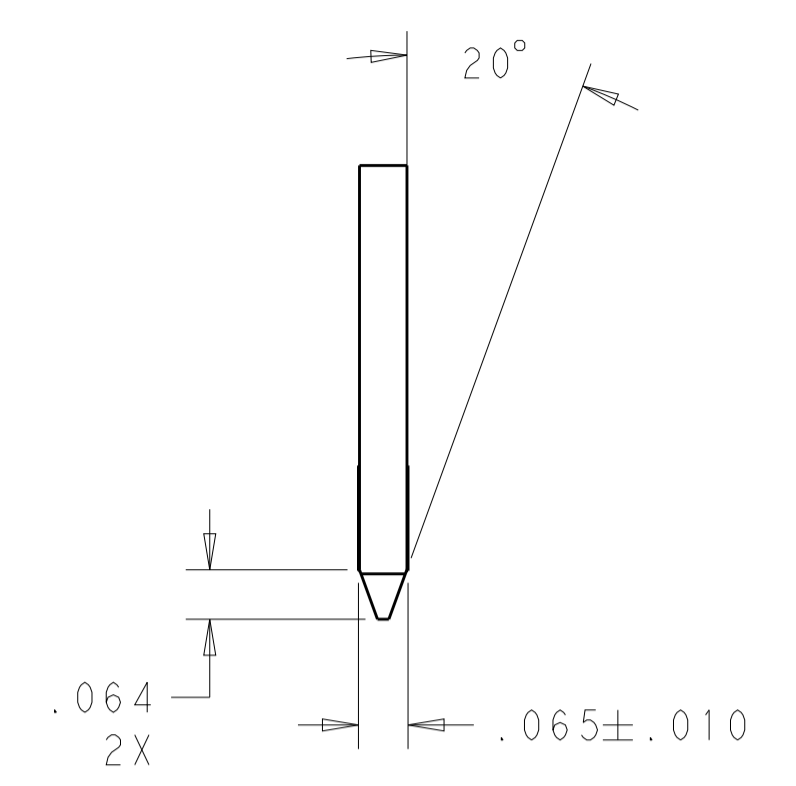
| FEATURE     | LOCATIONS  | FINISH | Z     | J    | D     | C     | B     | A     | X  | NO. OF DUAL POSITIONS | PART NUMBER |
|-------------|--|--------|-------|------|-------|-------|-------|-------|----|-----------------------|-------------|
| F8          | 3, 4, 21, 22, 25, 26, 29, 30, 33, 34   | △6     | 1.886 | .125 | 1.700 | 1.900 | 1.950 | 2.060 | 17 | 18                    | 9-5530843-2 |
|             | 9, 10, 11, 12, 19, 20, 21, 22, 29, 30, 31, 32  | △6     | 2.086 | .125 | 1.900 | 2.100 | 2.150 | 2.260 | 19 | 20                    | 9-5530843-1 |
| F6          | 13, 14, 15, 16, 27, 28, 29, 30   | △6     | 2.086 | .125 | 1.900 | 2.100 | 2.150 | 2.260 | 19 | 20                    | 9-5530843-0 |
| F4          | 3, 4, 5, 6, 9, 10, 13, 14, 17, 18, 19, 20, 21, 22  | △6     | 1.286 | .125 | 1.100 | 1.300 | 1.350 | 1.460 | 11 | 12                    | 8-5530843-9 |
|             | 11, 12, 23, 24, 29, 30, 35, 36, 37, 38   | △6     | 2.086 | .125 | 1.900 | 2.100 | 2.150 | 2.260 | 19 | 20                    | 8-5530843-8 |
|             | 17, 18, 19, 20   | △6     | 1.286 | .125 | 1.100 | 1.300 | 1.350 | 1.460 | 11 | 12                    | 8-5530843-7 |
|             |  | △6     | 0.686 | -    | .500  | .700  | -     | -     | 5  | 6                     | 8-5530843-6 |
|             |  | △6     | 1.286 | .187 | 1.100 | 1.300 | 1.350 | 1.460 | 11 | 12                    | 8-5530843-5 |
|             | 19, 20, 21, 22, 23, 24, 27, 28, 31, 32, 35, 36, 39<br>40, 43, 44, 45, 46, 47, 48, 51, 52, 55, 56, 59, 60 | △6     | 3.186 | .125 | 3.000 | 3.200 | 3.250 | 3.360 | 30 | 31                    | 8-5530843-4 |
|             | 3, 4, 5, 6, 19, 20, 21, 22   | △6     | 1.286 | .125 | 1.100 | 1.300 | 1.350 | 1.460 | 11 | 12                    | 8-5530843-3 |
|             | -  | △6     | .386  | .125 | .200  | .400  | .450  | .560  | 2  | 3                     | 7-5530843-7 |
|             | -  | △6     | .686  | .187 | .500  | .700  | .750  | .860  | 5  | 6                     | 7-5530843-6 |
|             | -  | △6     | .686  | .125 | .500  | .700  | .750  | .860  | 5  | 6                     | 7-5530843-5 |
|             | -  | △5     | 3.186 | .125 | 3.000 | 3.200 | 3.250 | 3.360 | 30 | 31                    | 7-5530843-0 |
|             | -  | △6     | 3.186 | .125 | 3.000 | 3.200 | 3.250 | 3.360 | 30 | 31                    | 6-5530843-5 |
| △7 OBSOLETE | -  | △6     | 6.086 | .125 | 5.900 | 6.100 | 6.150 | 6.260 | 59 | 60                    | 5-5530843-5 |
|             | -  | △6     | 2.086 | .125 | 1.900 | 2.100 | 2.150 | 2.260 | 19 | 20                    | 5-5530843-4 |
|             | -  | △6     | 1.786 | .125 | 1.600 | 1.800 | 1.850 | 1.960 | 16 | 17                    | 5-5530843-3 |
|             | -  | △6     | 1.086 | .125 | .900  | 1.100 | 1.150 | 1.260 | 9  | 10                    | 5-5530843-0 |
|             | -  | △5     | 1.886 | .125 | 1.700 | 1.900 | 1.950 | 2.060 | 17 | 18                    | 2-5530843-7 |
|             | -  | △6     | 3.586 | .125 | 3.400 | 3.600 | 3.650 | 3.760 | 34 | 35                    | 2-5530843-3 |
|             | -  | △6     | 5.086 | .187 | 4.900 | 5.100 | 5.150 | 5.260 | 49 | 50                    | 2-5530843-2 |
|             | -  | △6     | 4.086 | .187 | 3.900 | 4.100 | 4.150 | 4.260 | 39 | 40                    | 2-5530843-0 |
|             | -  | △6     | 3.086 | .187 | 2.900 | 3.100 | 3.150 | 3.260 | 29 | 30                    | 1-5530843-8 |
|             | -  | △6     | 2.586 | .187 | 2.400 | 2.600 | 2.650 | 2.760 | 24 | 25                    | 1-5530843-6 |
|             | -  | △6     | 4.386 | .125 | 4.200 | 4.400 | 4.450 | 4.560 | 42 | 43                    | 1-5530843-0 |
|             | -  | △6     | 3.686 | .125 | 3.500 | 3.700 | 3.750 | 3.860 | 35 | 36                    | 5530843-8   |
|             | -  | △6     | 3.086 | .125 | 2.900 | 3.100 | 3.150 | 3.260 | 29 | 30                    | 5530843-7   |
|             | -  | △6     | 2.886 | .125 | 2.700 | 2.900 | 2.950 | 3.060 | 27 | 28                    | 5530843-6   |
|             | -  | △6     | 2.586 | .125 | 2.400 | 2.600 | 2.650 | 2.760 | 24 | 25                    | 5530843-5   |
|             | -  | △6     | 2.286 | .125 | 2.100 | 2.300 | 2.350 | 2.460 | 21 | 22                    | 5530843-4   |
|             | -  | △6     | 1.886 | .125 | 1.700 | 1.900 | 1.950 | 2.060 | 17 | 18                    | 5530843-3   |
|             | -  | △6     | 1.586 | .125 | 1.400 | 1.600 | 1.650 | 1.760 | 14 | 15                    | 5530843-2   |
|             | -  | △6     | 1.286 | .125 | 1.100 | 1.300 | 1.350 | 1.460 | 11 | 12                    | 5530843-1   |
| OMITTED PIN | BOARD RETENTION FEATURE LOCATION (SEE DETAIL Y)  | FINISH | Z     | J    | D     | C     | B     | A     | X  | NO. OF DUAL POSITIONS | PART NUMBER |

THIS DRAWING IS A CONTROLLED DOCUMENT. DIMENSIONS: INCHES. TOLERANCES UNLESS OTHERWISE SPECIFIED: 0 PLC ±.005, 1 PLC ±.005, 2 PLC ±.005, 3 PLC ±.005, 4 PLC ±.005, ANGLES ±.02. MATERIAL: FINISH: WEIGHT: CUSTOMER DRAWING.

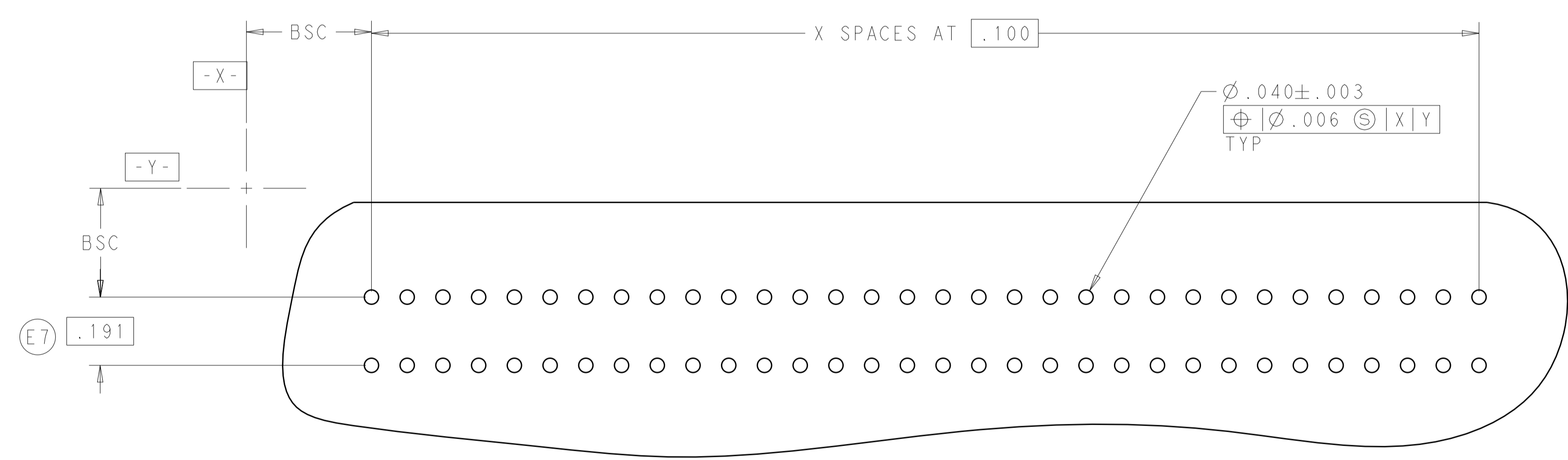
DWN: JAW/GRZYBOWSKI, CHS: E.HOWARD, APPV: M.PERCHEK. PRODUCT SPEC: 108-9039, APPLICATION SPEC: 114-13018. SIZE: A1, CAGE CODE: 00779, DRAWING NO: 5530843, SHEET 3 OF 4, REV: F8.

**STE** TE Connectivity  
 CONNECTOR ASSEMBLY STANDARD EDGE II, .100 CENTERLINE

| REVISIONS |     |             |      |      |
|-----------|-----|-------------|------|------|
| P.        | LTN | DESCRIPTION | DATE | APVD |
| -         | -   | SEE SHEET 1 | -    | -    |
|           |     |             |      |      |
|           |     |             |      |      |



RECOMMENDED MAIN BOARD EDGE CONFIGURATION



RECOMMENDED PC BOARD HOLE LAYOUT

|   |  |  |   |  |
|---|--|--|---|--|
| THIS DRAWING IS A CONTROLLED DOCUMENT.  |  | DWN: AWF/GRZYBOWSKI  | 30OCT2009   | TE Connectivity  |
| DIMENSIONS: INCHES  |  | CHK: E. HOWARD   | APVD: M. PERCHERK   |  |
| TOLERANCES UNLESS OTHERWISE SPECIFIED:<br>0 PLC ±<br>1 PLC ±.005<br>2 PLC ±<br>3 PLC ±<br>4 PLC ±<br>ANGLES ±.2 |  | PRODUCT SPEC: 108-9039<br>APPLICATION SPEC: 114-13018<br>WEIGHT: -<br>CUSTOMER DRAWING | NAME: CONNECTOR ASSEMBLY STANDARD EDGE II, .100 CENTERLINE<br>SIZE: A100779<br>CAGE CODE: C=5530843 | RESTRICTED TO: -<br>SCALE: 4:1<br>SHEET: 4 OF 4<br>REV: F8 |

# Mouser Electronics

Authorized Distributor

Click to View Pricing, Inventory, Delivery & Lifecycle Information:

[TE Connectivity:](#)

[7-5530843-6](#)