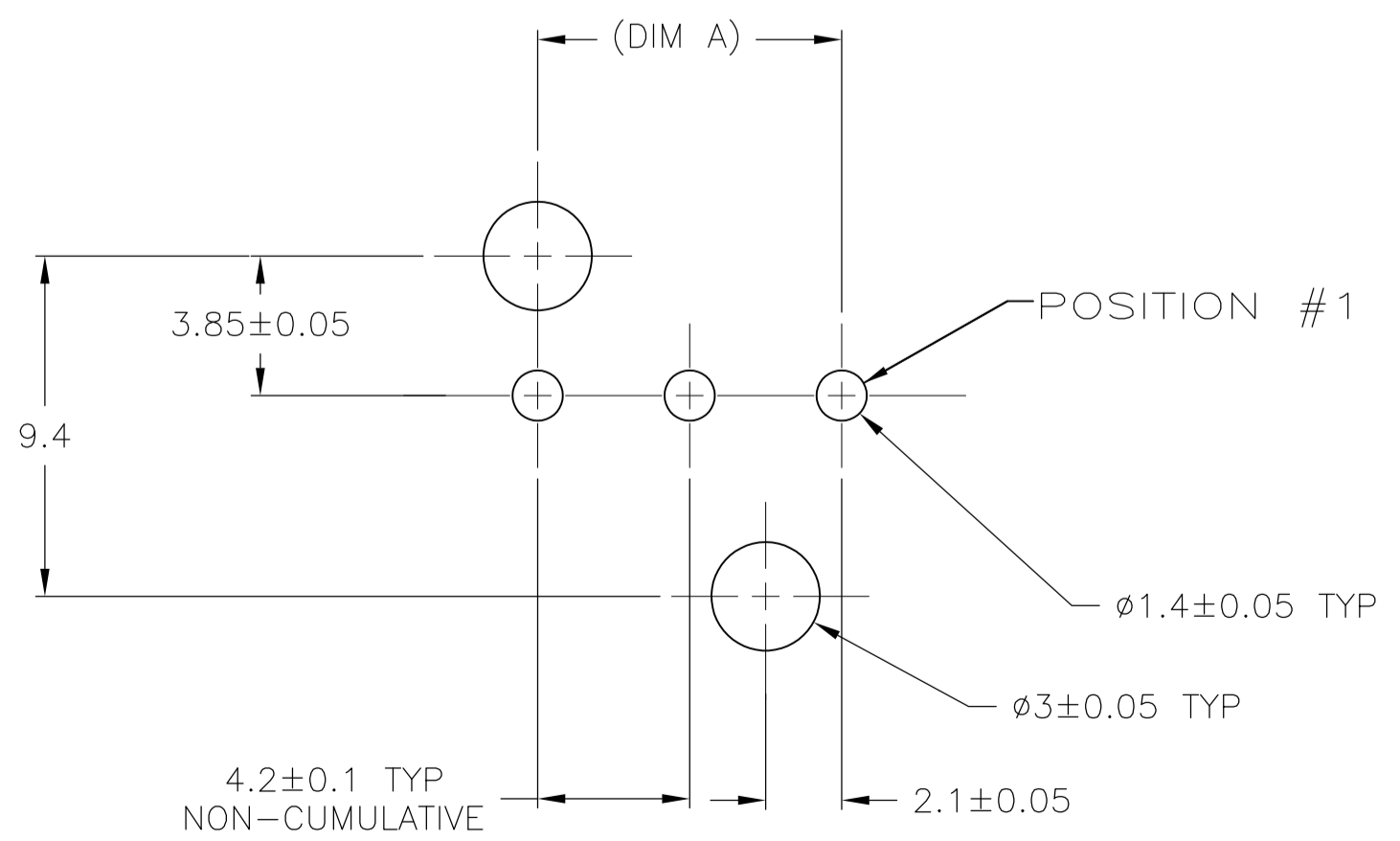
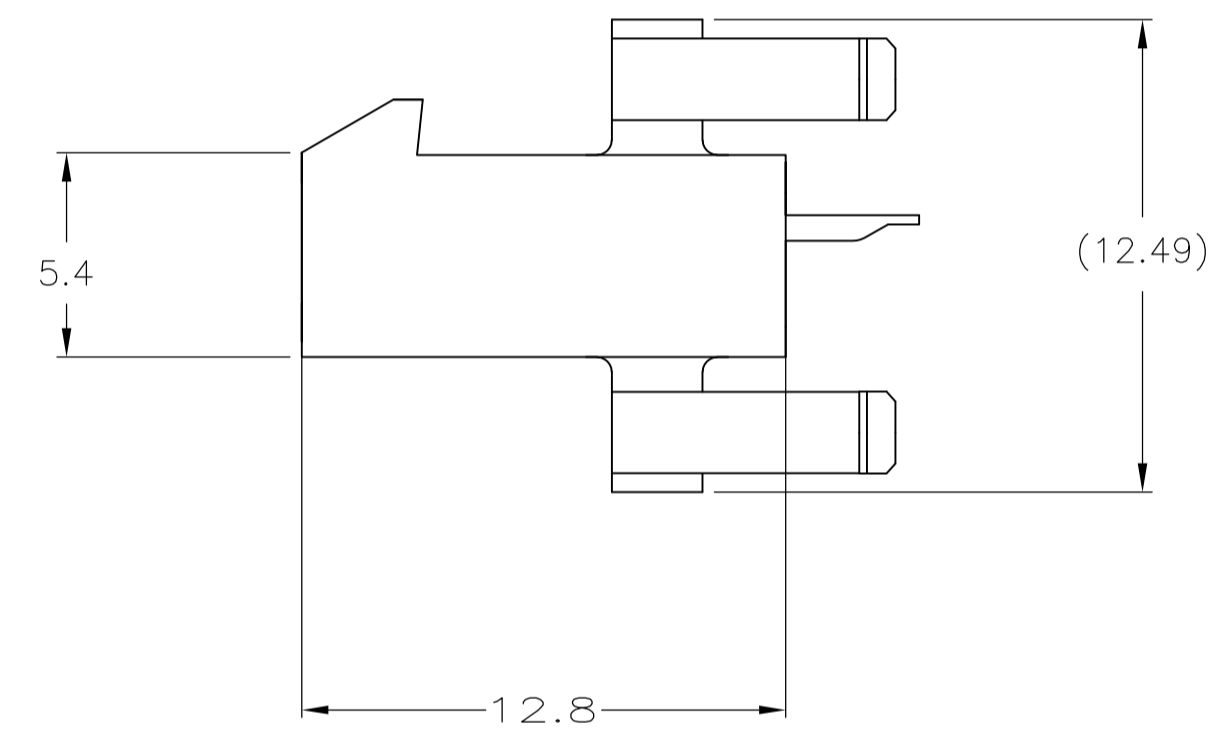
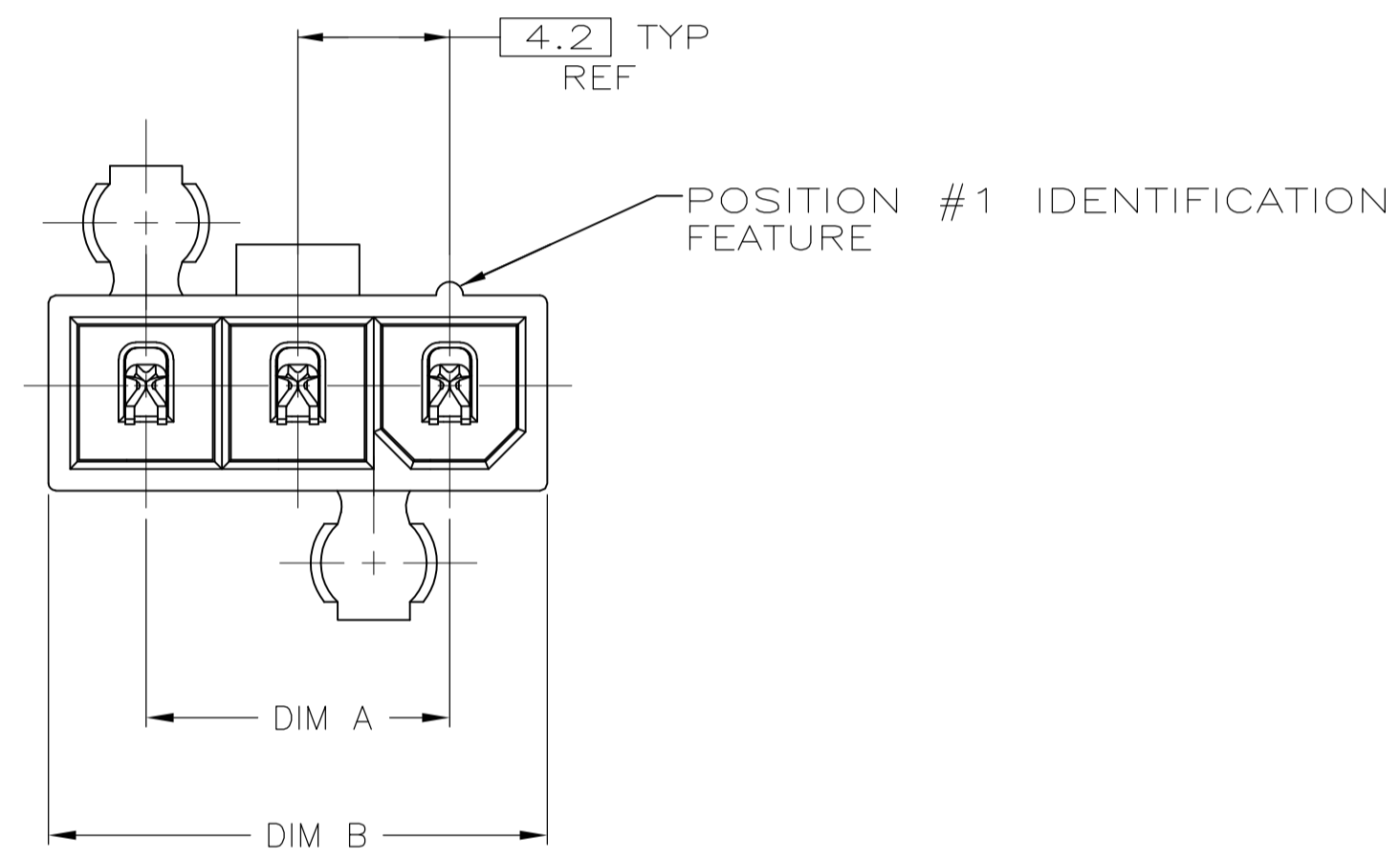


⚠ MATERIAL: HOUSING - NYLON, UL94V-0, WHITE.
 CONTACTS - BRASS, TIN PLATED.
 ⚠ TYCO ELECTRONICS LOGO AND MATERIAL ID MAY BE LOCATED ON EITHER LONG SIDE OF PART.



RECOMMENDED MOUNTING HOLE PATTERN
 FOR 1.78 MAX THICK P.C. BOARD
 COMPONENT SIDE SHOWN

22.2	16.8	5	2029167-5
18	12.6	4	2029167-4
13.8	8.4	3	2029167-3
DIM B	DIM A	NO. OF POSITIONS	PART NO

METRIC

THIS DRAWING IS A CONTROLLED DOCUMENT.

DIMENSIONS: mm	TOLERANCES UNLESS OTHERWISE SPECIFIED:	DIN K. WHITAKER 01AUG2008	Tyco Electronics Corporation Harrisburg, PA 17105-3608
0. PLC ± -	1. PLC ± 0.2	CHK C. CASH 11JAN2008	
2. PLC ± 0.13	3. PLC ± -	APVD C. CASH 11JAN2008	Tyco Electronics PLUG ASSEMBLY, VERTICAL, SINGLE ROW, 94V-0, W/O DRAIN HOLES, VAL-U-LOK(TM)
4. PLC ± -	ANGLES ± 0°30'	PRODUCT SPEC -	
MATERIAL ⚠	FINISH ⚠	APPLICATION SPEC -	RESTRICTED TO -
CUSTOMER DRAWING		WEIGHT -	SIZE A1
		SCALE 5:1	SHEET 1 OF 1
		DRAWING NO. C=2029167	REV A

Mouser Electronics

Authorized Distributor

Click to View Pricing, Inventory, Delivery & Lifecycle Information:

[TE Connectivity:](#)

[2029167-3](#)