

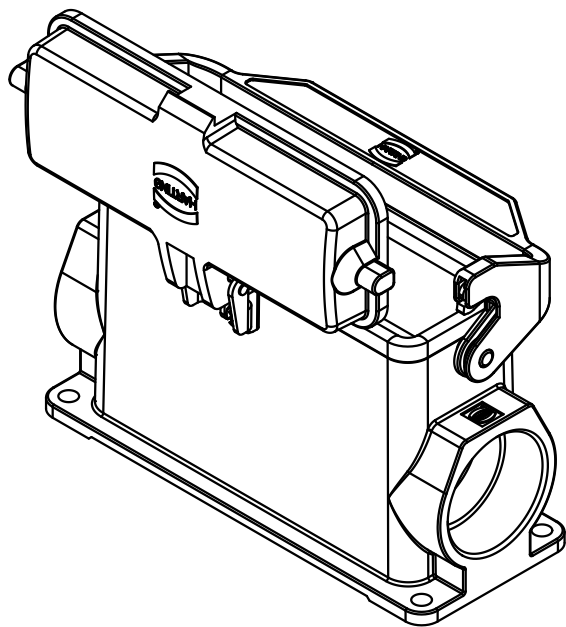
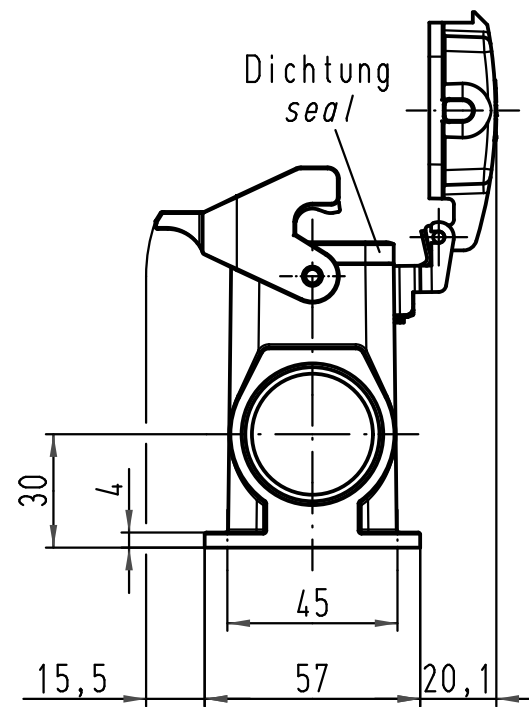
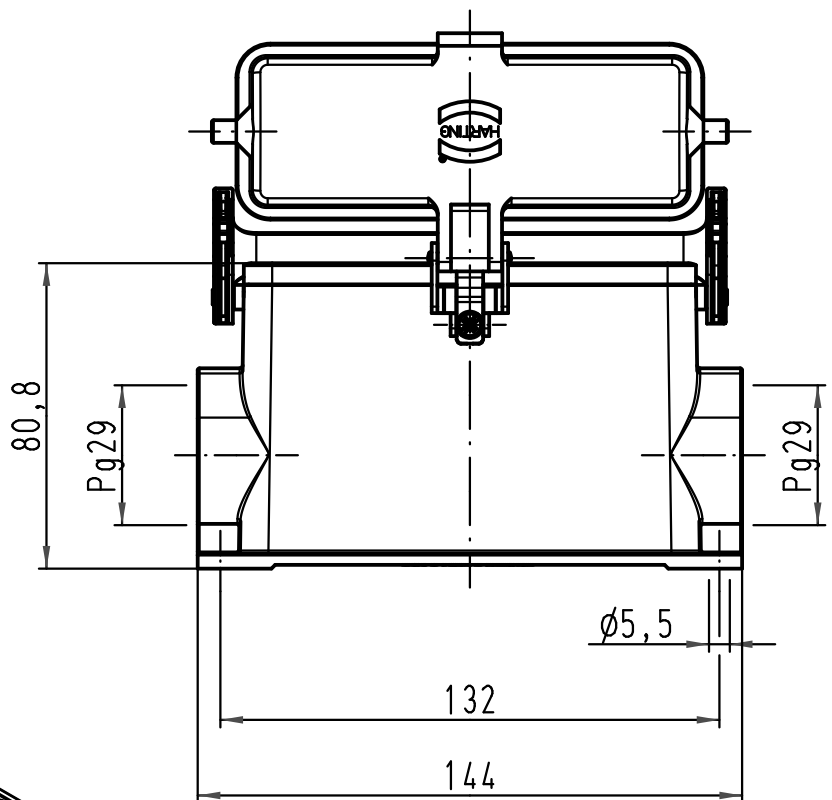
1 2 3 4 5 6

A

B

C

D



ALL Dimensions in mm Original Size DIN A 4		Techn. Character.			Nicht tolerierte Maß/Free size tolerances		
			Dat.	Name	Maßstab/Scale 1:2	Han 24B-asg2-LB-K-29 Sockelgehäuse housing surface mounting	
			Detail.	04.03.11 Spr			
			Insp.	Be			
			Stand.				
A			HARTING Electric GmbH & Co. KG D-32339 Espelkamp				TB 09 30 024 0296 Sub. TB 09 30 024 0296 v. 04.02.93
Mod.	Dat.	Name					

Mouser Electronics

Authorized Distributor

Click to View Pricing, Inventory, Delivery & Lifecycle Information:

[HARTING:](#)

[09300240296](#)