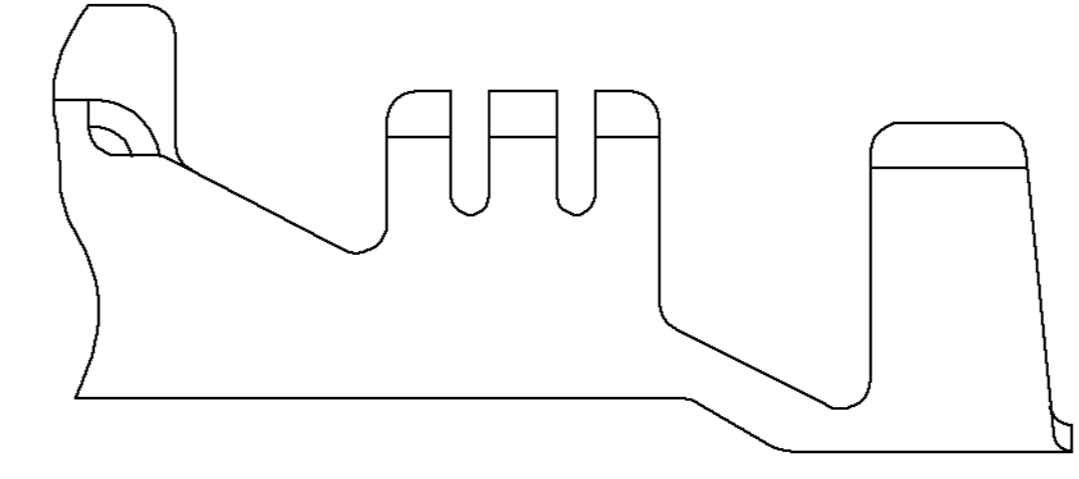
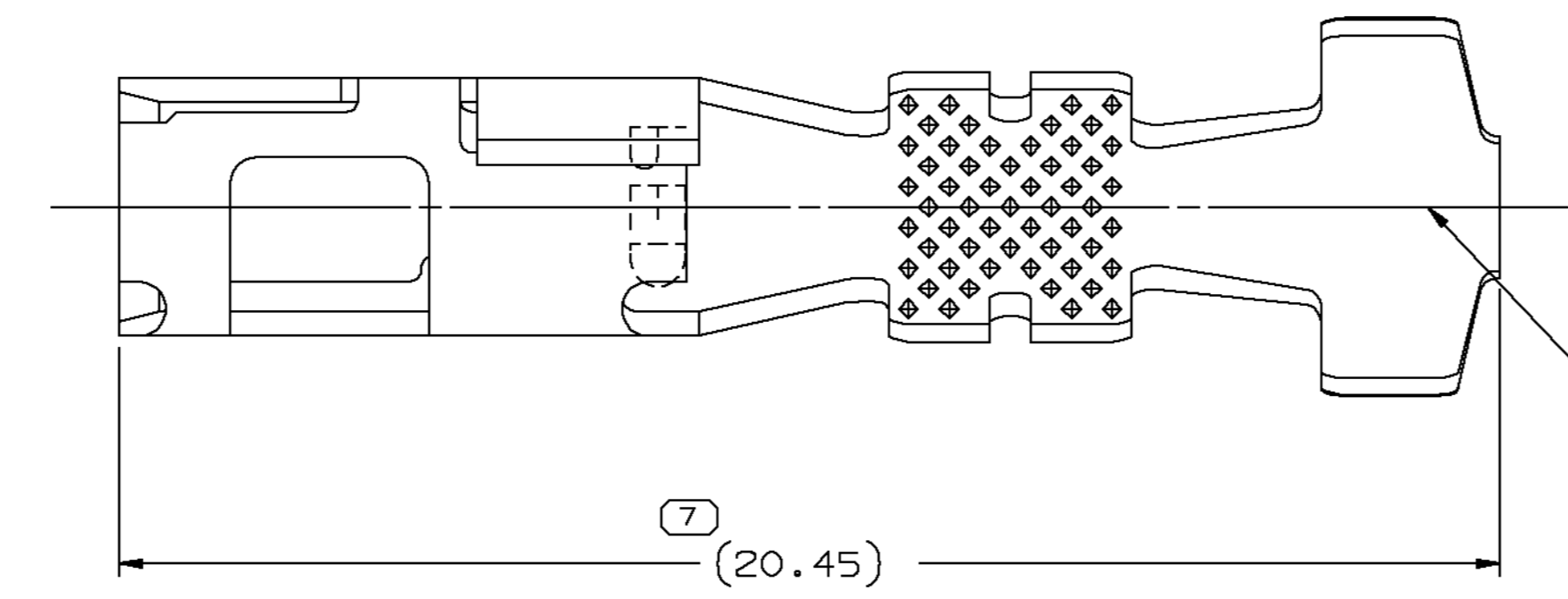
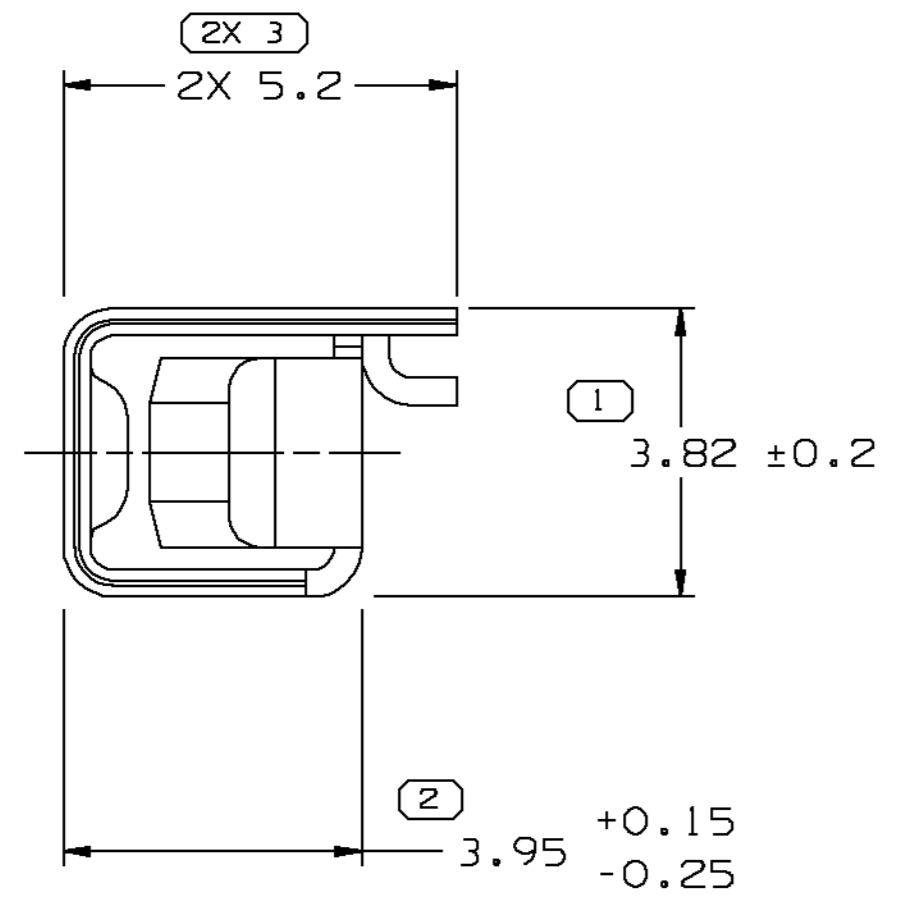


SYMBOL DEFINITION		MISSING SYMBOLS	
A DIMENSION WITHOUT AN INSPECTION REPORT SYMBOL DOES NOT REQUIRE INSPECTION. IT MAY BE CONTROLLED ON THE INDIVIDUAL COMPONENT DRAWING.	TOTAL NO OF INSPECTIONS REQUIRED	9	NO MISSING SYMBOL NUMBER
	LAST NO. USED	8	

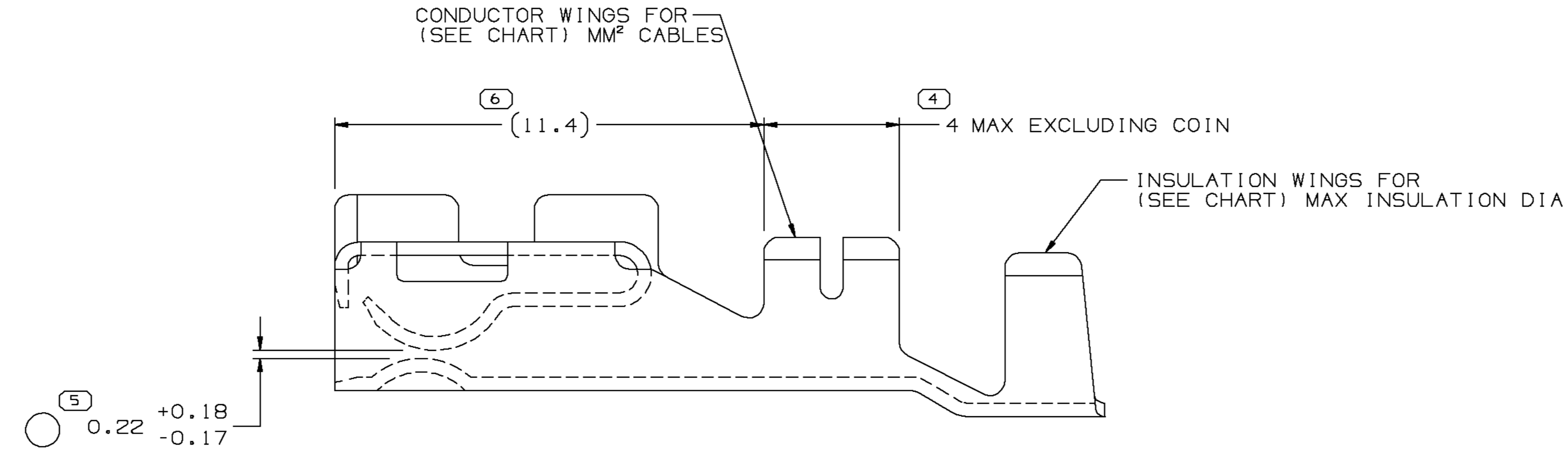
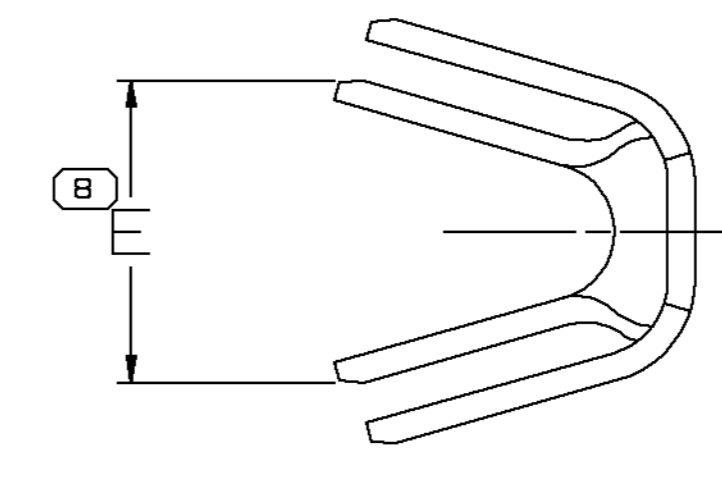
DWG STATUS				REVISION HISTORY				AUTH	
DATE	STG	REV	N/P	CHK	ZONE				
06N001	R	05	-			REDRAWN TO PD; ALL PARTS - ADDED DIM	216976	EGR	RC



TYPE 402
SAME AS TYPE 401
EXCEPT AS SHOWN



TYPE 401



NOTES

- UNLESS OTHERWISE SPECIFIED AND/OR INDICATED: DIMENSIONS ARE TO FACE OF VIEW SHOWN AND AUTOMATICALLY ROUNDED BY COMPUTER FOR INSPECTION (SEE MATH MODEL FOR PRECISE DIMENSIONS). FOR ALL OTHER DIMENSIONS NOT SHOWN BUT REQUIRED FOR TOOL BUILD, SEE MATH MODEL FOR PRECISE TOOL PATH DATA.
- RECOMMENDED MATING BLADE - WIDTH 2.8 ±0.08, THICKNESS 0.86/0.79 AND LENGTH 7.5 ±0.15.

PART NO	REV	STATUS	MAT'L SPEC	MAT'L SIZE	PART NO	REV/N/P	STATUS	MAT'L SPEC	MAT'L SIZE	SIZE (MM²)	CABLE DIA	ID	TYPE
12186461	A1	-			P1519456	425	TIN BRS EX HD SN PLTD		0.360 X 26.61	TWO 0.35	1.69-1.47	222	402
12186460	A1	-			P1519456	425	TIN BRS EX HD SN PLTD		0.360 X 26.61	TWO 0.5	2.19-1.69	220	402
12186459	A1	-			P1519456	425	TIN BRS EX HD SN PLTD		0.360 X 26.61	TWO 1.0/0.8	2.42-1.96	217	401
12186458	A1	-			P1519456	425	TIN BRS EX HD SN PLTD		0.360 X 26.61	0.5-0.35	2.19-1.47	21	402
12186457	A1	-			P1519456	425	TIN BRS EX HD SN PLTD		0.360 X 26.61	1.0-0.8	2.64-1.96	17	402
12186456	A1	-			P1519456	425	TIN BRS EX HD SN PLTD		0.360 X 26.61	3.0-2.0	3.65-2.50	13	401

5 PROCESS SENSITIVE DIMENSION	
DIMENSIONAL RANGE (MM)	CHART ID
FROM 0 TO 12	>12
TO 12	
UNLESS OTHERWISE SPECIFIED	
±0.1	±0.2
ANGULAR TOLERANCE 12'	

DWG TYPE PART DRAWING	
STYLE	
VOLUME (CMT)	DISTR CODE
ROUTING	6900
UNLESS OTHERWISE SPECIFIED	
THIS DOCUMENT IS IN ACCORDANCE WITH ASME Y14.5M-1994 AS AMENDED BY THE GW GLOBAL DIMENSIONING AND TOLERANCING ADDENDUM 1997. ALL GEOMETRIC TOLERANCES AND RELATED DATUMS APPLY UNLESS OTHERWISE SPECIFIED. DIMENSIONS ARE TO FACE UNLESS OTHERWISE SPECIFIED. DIMENSIONS ARE TO FACE UNLESS OTHERWISE SPECIFIED. DIMENSIONS ARE TO FACE UNLESS OTHERWISE SPECIFIED. DIMENSIONS ARE TO FACE UNLESS OTHERWISE SPECIFIED.	
REFERENCE	
THIRD ANGLE PROJECTION	DO NOT SCALE
USE MATH DATA	

DELPHI
DELPHI PACKARD ELECTRIC SYSTEMS
WARREN, OH

DR	DATE
APV01 RUBEN ORTIZ	08JL96
APV02 ENRIQUE BAEZ	11JL96
APV03 Q. GALLEGOS	27AU96
APV04	
APV05	

SUBSTANCES OF CONCERN AND RECYCLED CONTENT PER DELPHI 10949001

MATERIAL

SEE CHART

DRAWING NAME
TAXI TERM ACT 280

DRAWING NUMBER
12084994

SIZE A0	SCALE 10:1	FRAME NO 1	SHEET NO 4 OF 4	STG REV N/P R 05
---------	------------	------------	-----------------	------------------

Mouser Electronics

Authorized Distributor

Click to View Pricing, Inventory, Delivery & Lifecycle Information:

[Aptiv:](#)

[12186457-L](#) [12186456-L](#)