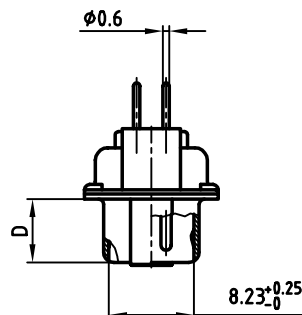
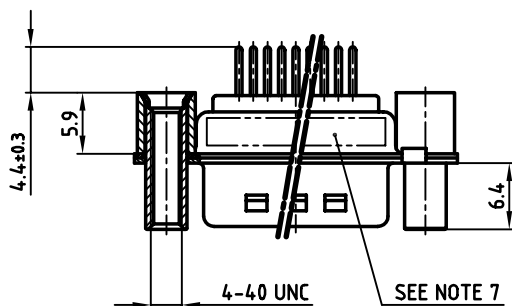
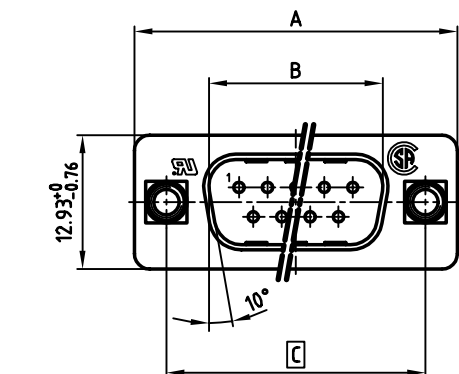


used for: D-SUB



Directive 2002/95/EC
"RoHS"
Compliant

No. of pos.	A -0.76	B +0.25	C	D -0.3	Part No.
9	31.19	16.79	25.00 ^{+0.12} / _{-0.13}	6.12	163A13729X
15	39.52	25.12	33.30 ^{+0.15} / _{-0.1}	6.12	163A13739X
25	53.42	38.84	47.04 ±0.13	5.99	163A13749X
37	69.70	55.30	63.50 ±0.13	5.99	163A13759X

NOTES:

- METALSHELLS: STEEL; min. 320µ" TIN
- INSULATORS: PBT GF UL 94 V-0, BLACK
- CONTACTS: COPPER ALLOY
PLATING: min. 8µ" HARD GOLD OVER min. 50µ" NICKEL
- THREADED REAR SPACER/ FRONT THREADED LOCK:
COPPER ALLOY; min. 200µ" TIN over 80µ" NICKEL
- P.C.B. HOLE DRILLINGS ON DRAWING NO.: 16K11IUA
- MAXIMUM TORQUE VALUE FOR THREAD: 6" LBS
- CONNECTOR IS PART MARKED: PART-NO. CONEC Y/WW
- = CRITICAL DIMENSION

APPROVAL # FREIGABE # DEBLOCAGE # AUTORIZACION # APPROVAL

CUSTOMER APPROVAL DATE:

NAME: TITLE:

COMPANY NAME:

APPROVAL # FREIGABE # DEBLOCAGE # AUTORIZACION # APPROVAL

THIS DRAWING MAY NOT BE COPIED OR REPRODUCED IN ANY WAY, AND MAY NOT BE PASSED ON TO A THIRD PARTY, WITHOUT WRITTEN PERMISSION. OWNERSHIP AND COPYRIGHT OF CONEC GmbH DO NOT ALTER CAD DRAWING BY HAND

rev.	description	date	name

tolerance

scale: 2:1

material: SEE NOTES

title: D-SUB MALE
9-37pos. Solder pin straight
with threaded rear spacer, front threaded lock

dwg no: AutoCAD 2000
16K2A657

part no: SEE TABLE

DIN-A 3 sh: 1/1

CONEC

2002 date name

drawn 17.10. Parei

appd. 17.10. Mickenbecker

norm DIN 41652

d-old

Mouser Electronics

Authorized Distributor

Click to View Pricing, Inventory, Delivery & Lifecycle Information:

[CONEC:](#)

[163A13749X](#) [163A13759X](#) [163A13729X](#)