

4

3

2

1

THIS DRAWING IS UNPUBLISHED.

RELEASED FOR PUBLICATION

20

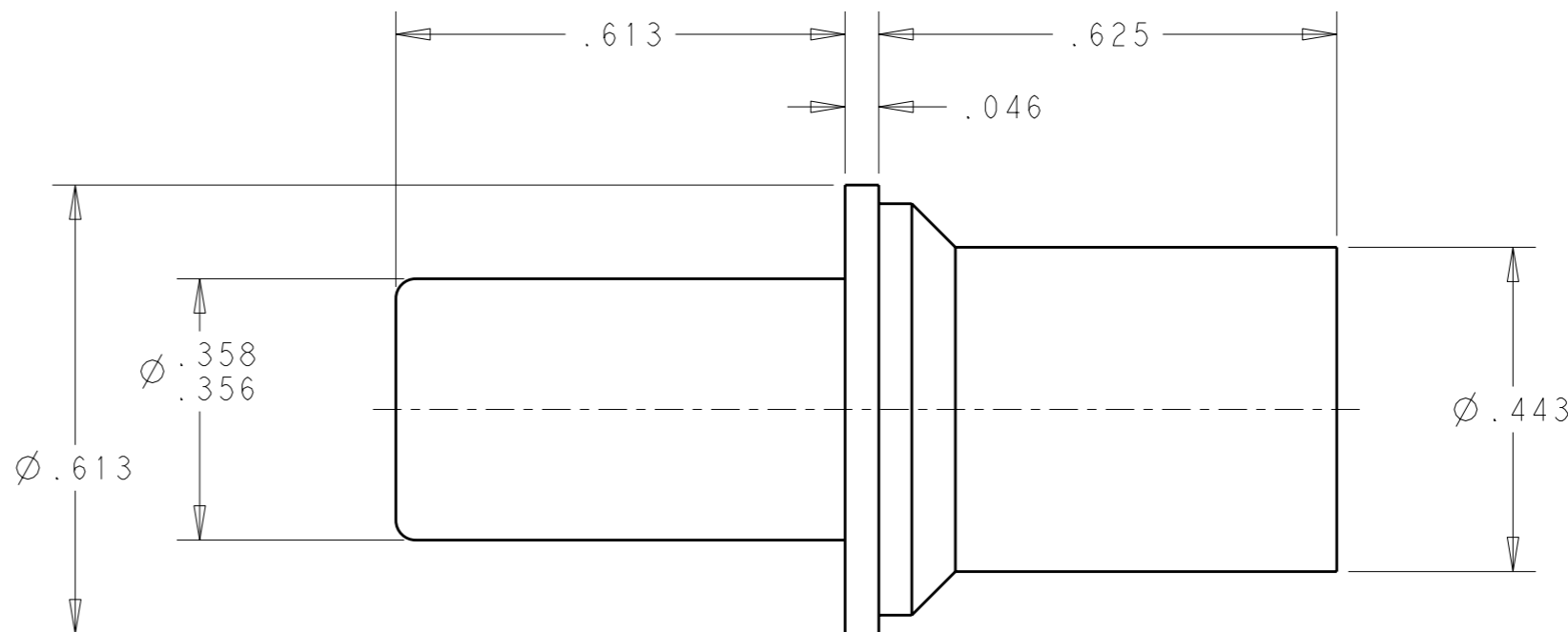
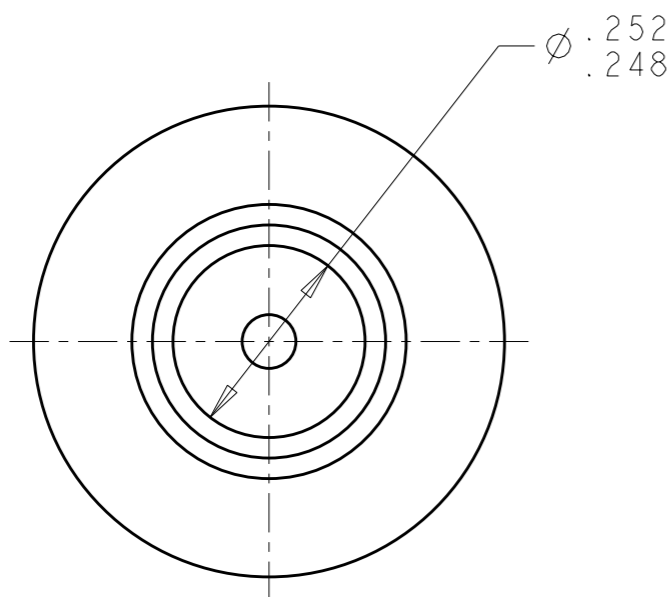
© COPYRIGHT 20

BY TYCO ELECTRONICS CORPORATION. ALL INTERNATIONAL RIGHTS RESERVED.

LOC	DIST
GP	00

REVISIONS

P	LTR	DESCRIPTION	DATE	DWN	APVD
	A	RELEASED	14JAN2011	RG	DO



- 1 MATERIAL: COPPER ALLOY
- 2 FINISH: SILVER PLATE .000200 MIN THK. OVER NICKEL
.000040 MIN THK.
- 3. ITEMS PROVIDED TO THIS SPECIFICATION TO BE PERMANENTLY IDENTIFIED ON THE CONTAINER WITH THE FOLLOWING IDENTIFIER:

YEAR WEEK

TYCO ELECTRONICS P/N

XXXXXXXX-X

DATE CODE (e.g. 0216)

XXXX

1766189-1

PART NUMBER

<small>THIS DRAWING IS A CONTROLLED DOCUMENT FOR TYCO ELECTRONICS CORPORATION IT IS SUBJECT TO CHANGE AND THE CONTROLLING ENGINEERING ORGANIZATION SHOULD BE CONTACTED FOR THE LATEST REVISION.</small>		DWN R.GRZYBOWSKI 14JAN2011 CHK D.ORRIS 14JAN2011 APVD D.ORRIS 14JAN2011		Tyco Electronics Corporation Harrisburg, PA 17105-3608	
DIMENSIONS: INCHES		TOLERANCES UNLESS OTHERWISE SPECIFIED:		NAME PIN CONTACT, SIZE No.0 W/ 2 No.6 AWG DOUBLE CROWN, CUSTOM CONNECTOR	
		0 PLC ±- 1 PLC ±- 2 PLC ±.02 3 PLC ±.010 4 PLC ±- ANGLES ±-		PRODUCT SPEC - APPLICATION SPEC - WEIGHT -	
MATERIAL		FINISH		SIZE CAGE CODE DRAWING NO RESTRICTED TO A300779 C-1766189 -	
CUSTOMER DRAWING				SCALE 4:1 SHEET 1 OF 1 REV A	

Mouser Electronics

Authorized Distributor

Click to View Pricing, Inventory, Delivery & Lifecycle Information:

[TE Connectivity:](#)

[1766189-1](#)