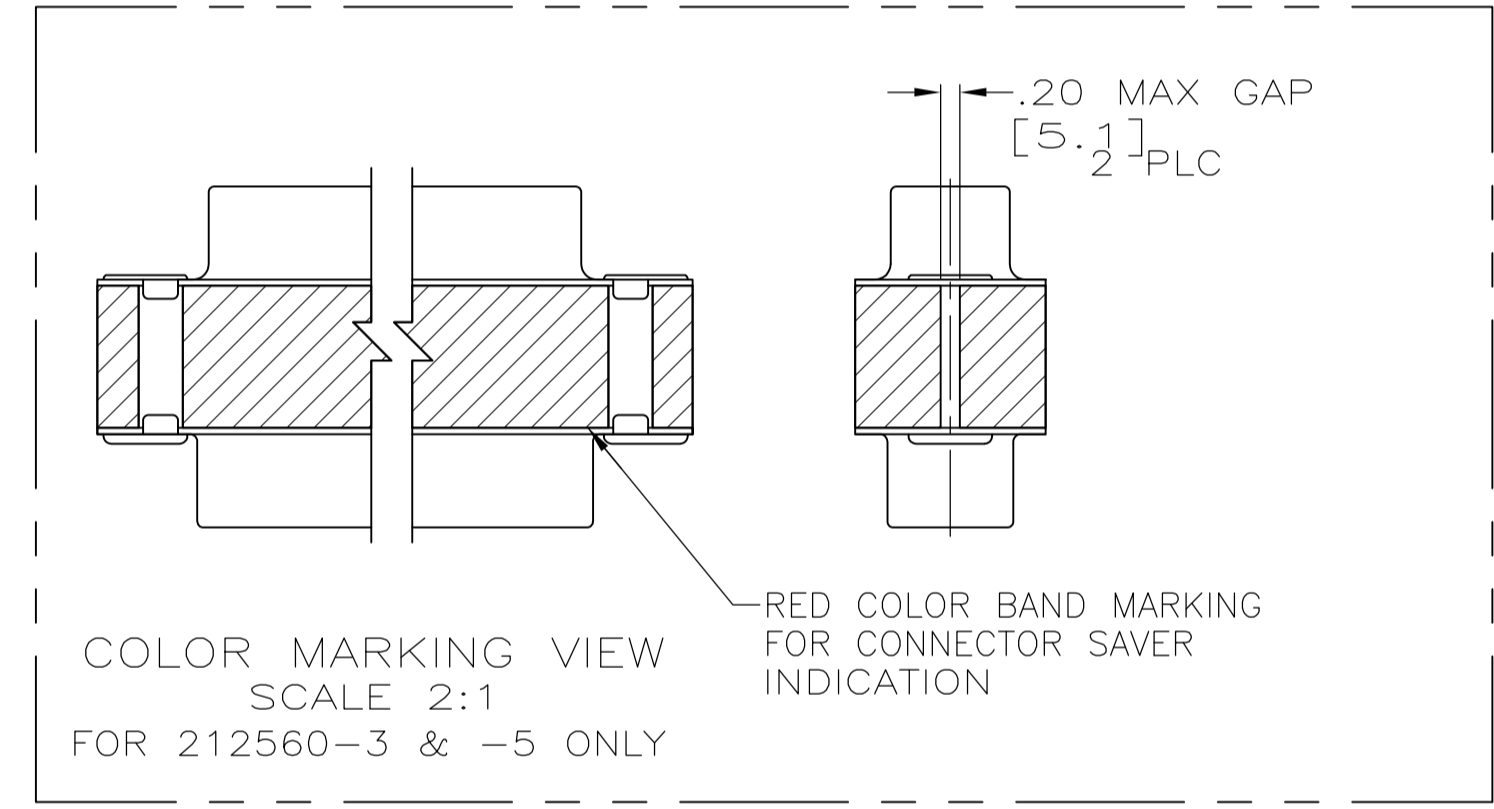
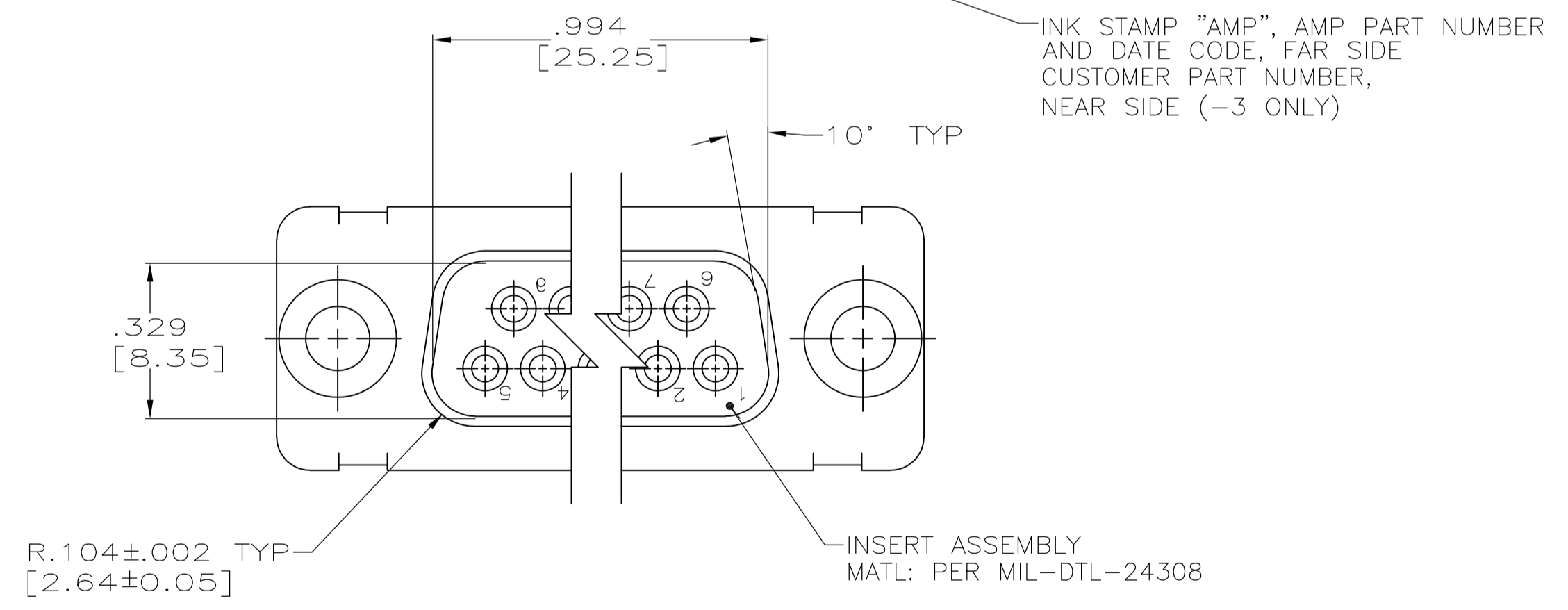
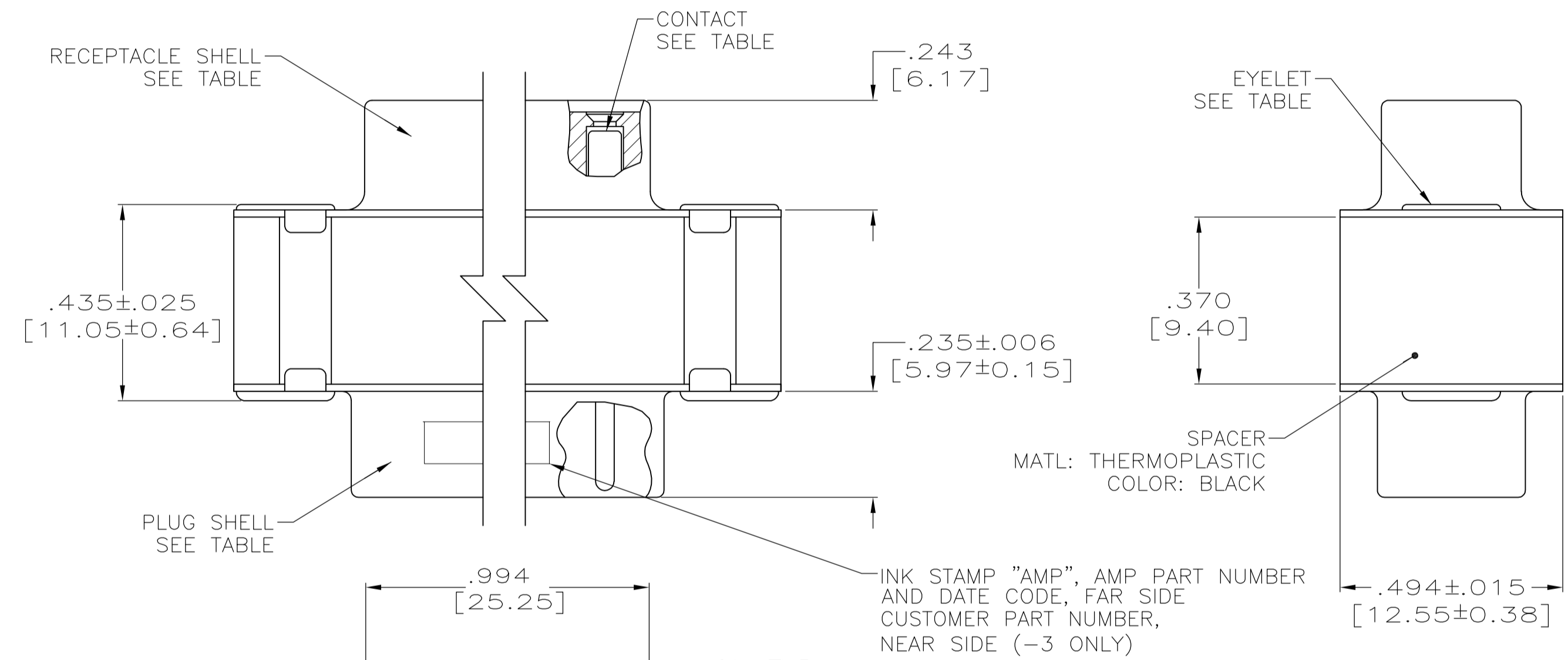
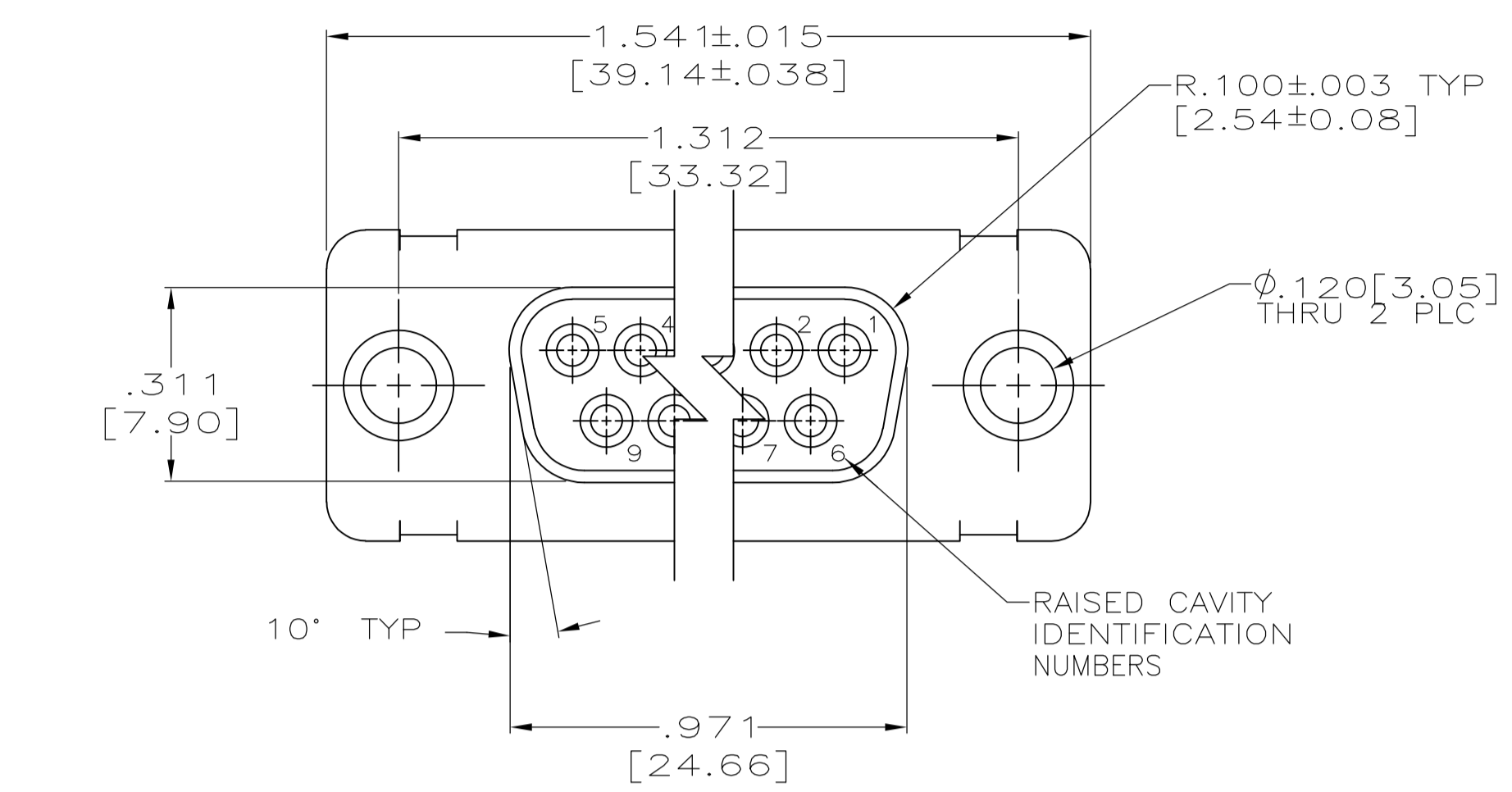


REVISIONS					
P	LTR	DESCRIPTION	DATE	DMN	APVD
S	REV PER ECO	17-000132	5-5-17	CT	DM



1. CONTACTS INCLUDED IN ASSEMBLY.
- △ MATL: STEEL, PER ASTM-A-109.
- △ FINISH: CADMIUM PER QQ-P-416.
- △ CONTACT
- BODY MATL: BERYLLIUM COPPER PER ASTM-B-197.
- BODY FINISH: PLATED GOLD, .000050 MIN THK PER MIL-G-45204 OVER NICKEL, .000050 MIN THK PER QQ-N-290.
- HOOD MATL: STAINLESS STEEL PER ASTM-A-167.
- HOOD FINISH: PASSIVATED PER ASTM-A-380
- △ FINISH: PLATED ZINC .00020 MIN THK PER ASTM-B-633. YELLOW CHROMATE FINISH.
- △ MATL: BRASS PER ASTM-B-36.
- △ FINISH: PLATED GOLD, .000050 MIN THK PER MIL-G-45204 OVER COPPER, .000100 MIN THK PER MIL-C-14550.
- △ CONTACT
- BODY MATL: BERYLLIUM COPPER PER ASTM-B-197.
- BODY AND HOOD FINISH: PLATED GOLD, .000050 MIN THK PER MIL-G-45204 OVER COPPER, .000100 MIN THK PER MIL-C-14550.
- HOOD MATL: BRASS PER ASTM-B-36
- △ FINISH: PLATED ZINC PER ASTM-B-633 .000200 MIN THK WITH SUPPLEMENTARY CHROMATE (Cr2+).

OBSELETE	EYELET	SHELLS	CONTACT	CUSTOMER P/N	PART NO.
	△ △	△ △	△	-	5-212560-1
	△ △	△ △	△	PT2-111-8	1-212560-2
	△ △	△ △	△	4U884 SOCN R10002677-0102	212560-5
	△ △	△ △	△	-	212560-4
	△ △	△ △	△	(1J02-102)	212560-3
	△ △	△ △	△	-	212560-2
	△ △	△ △	△	-	212560-1

THIS DRAWING IS A CONTROLLED DOCUMENT.		DIN T. THOMPSON 11-07-94		TE Connectivity	
DIMENSIONS: INCHES		CHK D. MANTIONE 11-07-94		NAME	
TOLERANCES UNLESS OTHERWISE SPECIFIED:		APVD D. MANTIONE 11-07-94		PRODUCT SPEC	
0 PLC	± .005	APPLICATION SPEC		SIZE	
1 PLC	± .005	WEIGHT		CAGE CODE	
2 PLC	± .005	CUSTOMER DRAWING		DRAWING NO	
3 PLC	± .005 [0.13]	SCALE		SHEET	
4 PLC	± .005	REV		REV	
ANGLES	± .005	A1 00779 C=212560		1 OF 1	

Mouser Electronics

Authorized Distributor

Click to View Pricing, Inventory, Delivery & Lifecycle Information:

[TE Connectivity:](#)

[212560-5](#)