

THIS DRAWING IS UNPUBLISHED.

RELEASED FOR PUBLICATION

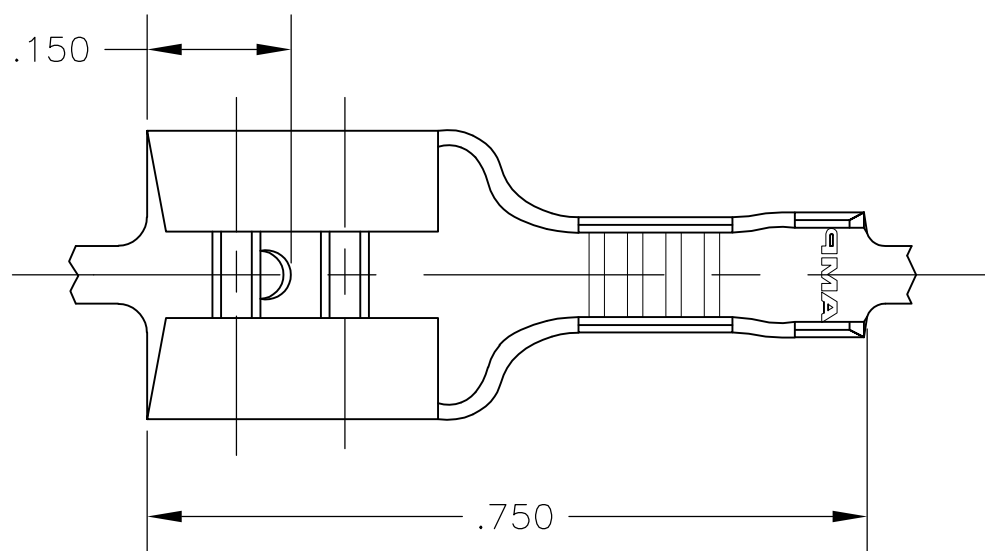
ALL RIGHTS RESERVED.

© COPYRIGHT - By -

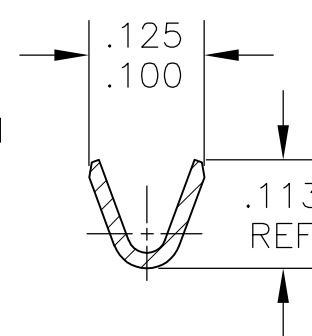
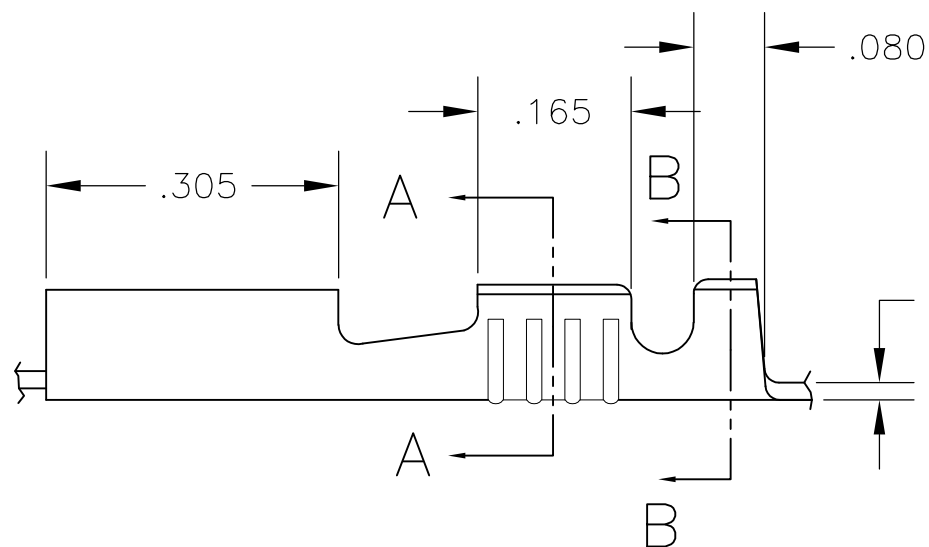
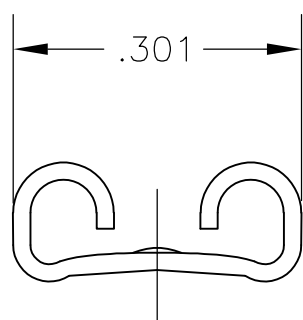
LOC AF DIST 50

REVISIONS

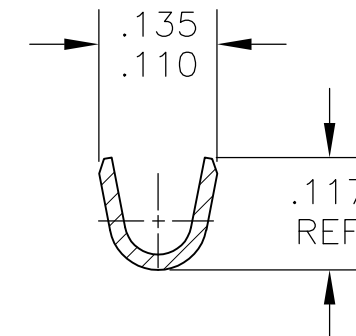
P	LTR	DESCRIPTION	DATE	DWN	APVD
	H	REVISED PER ECR-12-013445	09NOV12	KH	PD



- 1 CONTINUOUS STRIP ON REELS
- 2 WIRE SIZE IS 22-18 AWG
- 3 INSULATION RANGE IS .060-.100 DIA
- 4 FEED IS $.840 \pm .005$
- 5 MATING TAB THK IS $.032 \pm .001$



SECTION A-A



SECTION B-B

TIN	42640-2
-	42640-1
FINISH	PART NO

THIS DRAWING IS A CONTROLLED DOCUMENT.		DWN jr_ruth 13JAN2004	TE Connectivity					
DIMENSIONS: INCHES		CHK P_DESANTIS 13JAN04				NAME RECEPTACLE, FASTON, .250 SERIES		
TOLERANCES UNLESS OTHERWISE SPECIFIED:		APVD P_DESANTIS 13JAN04	PRODUCT SPEC APPLICATION SPEC					
0 PLC ± - 1 PLC ± - 2 PLC ± - 3 PLC ± .015 4 PLC ± - ANGLES ± -		WEIGHT -				SIZE A3	CAGE CODE 00779	DRAWING NO C-42640
MATERIAL BRASS		FINISH SEE TABLE	CUSTOMER DRAWING			SCALE 5:1	SHEET 1 OF 1	REV H

Mouser Electronics

Authorized Distributor

Click to View Pricing, Inventory, Delivery & Lifecycle Information:

[TE Connectivity:](#)

[42640-1 \(Loose Piece\)](#)