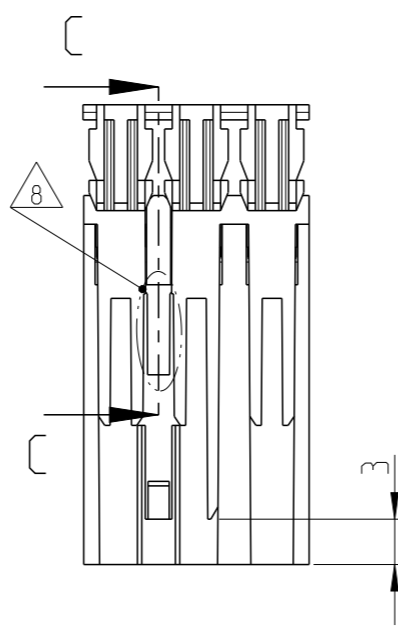
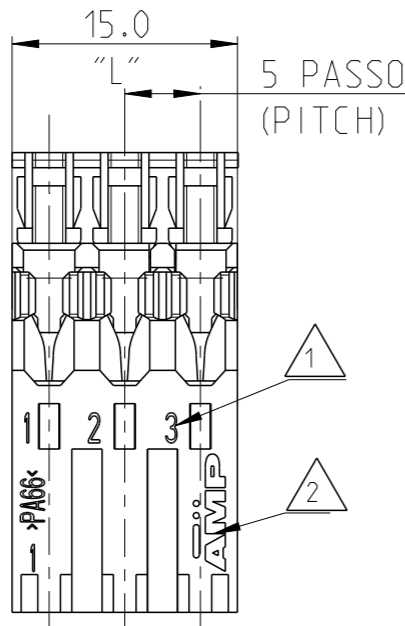
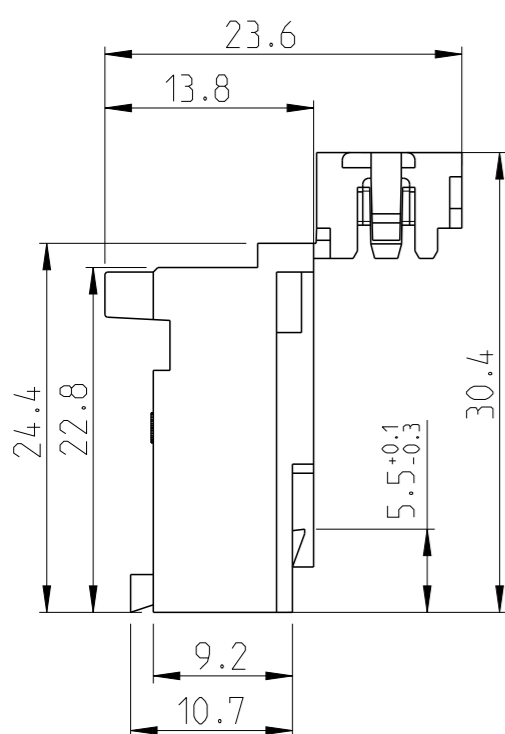
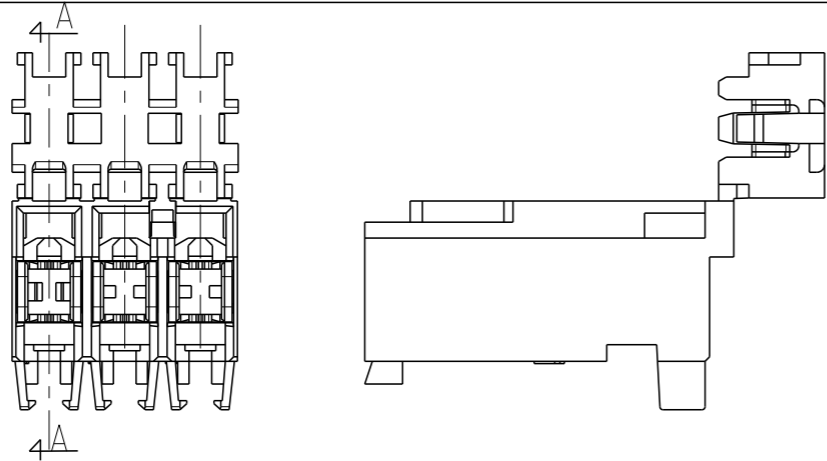
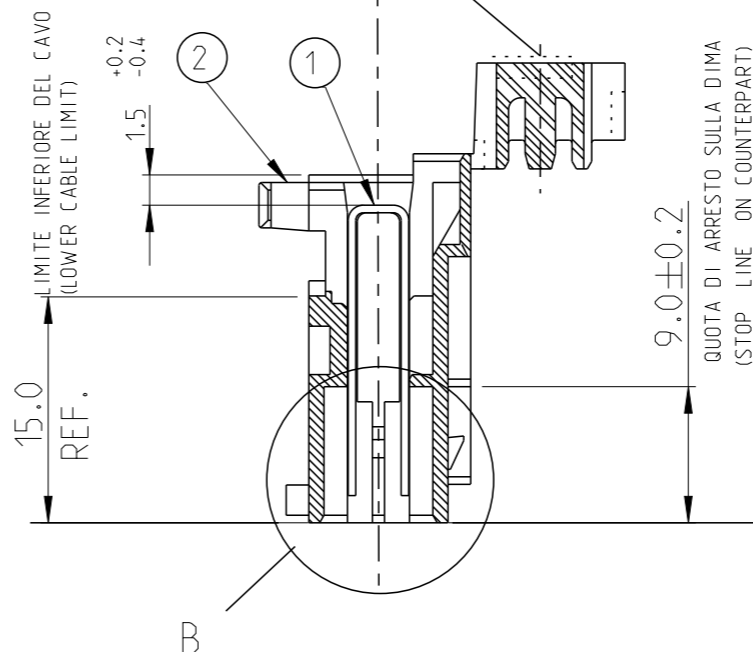


LOC	DIST
1	-

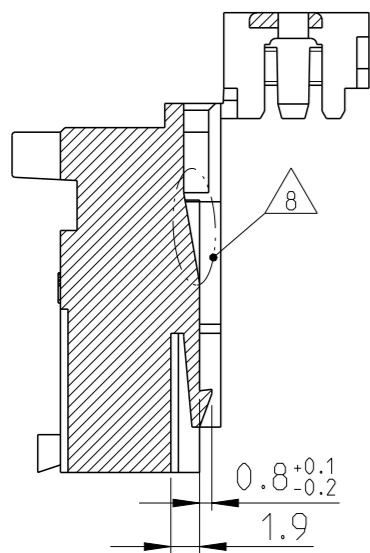
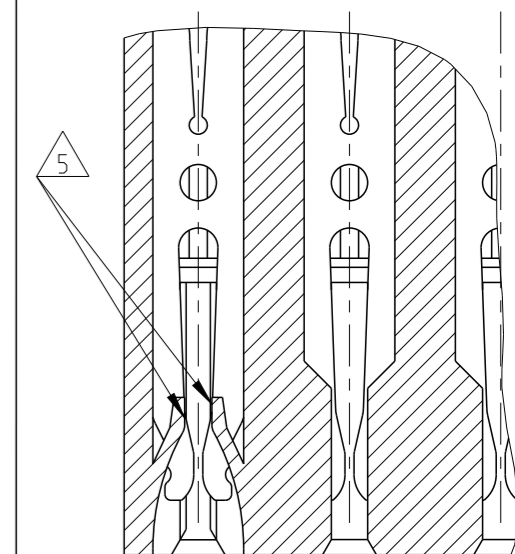
REVISIONS					
P	LTR	DESCRIPTION	DATE	DWN	APVD
B		GEOMERTY AT REAR LOCK AREA MODIFIED. SEE NOTE 8. (ECR-11-015181)	22JUL2011	DMK	RRP
C		REVISED AS PER ECR-12-014300	16AUG2012	MKD	RRP
D		REVISED AS PER ECR-13-013113	20AUG2013	MKD	RRP
D1		ECR-15-016708	13NOV2015	FL	RR



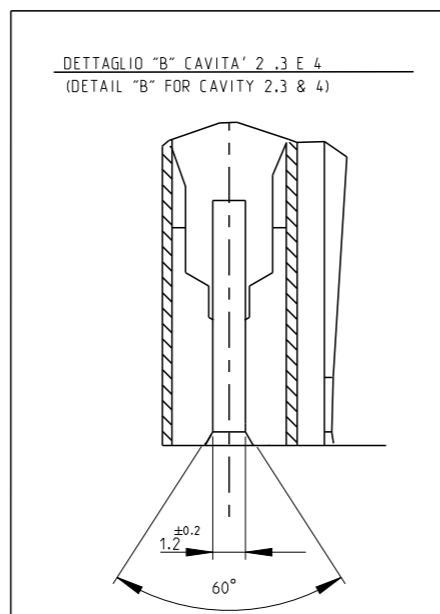
SEZ. A-A  
 COLOR CODE STRIP ALLOCATO  
 IN QUESTA AREA DEL COPERCHIO  
 (COLOR CODE STRIP  
 LOCATED ON THE COVER AS SHOWN)



DETTAGLIO "B" CAVITA' 1  
 DENTINI DI RITENZIONE PER  
 CONTROPARTE TAB  
 (DETAIL "B" FOR CAVITY 1  
 TAB RETENTION TEETH GEOMETRY)



SECTION C-C  
 2:1



2	BLOCCETTO (HOUSING)	NATURALE (NATURAL)	PA 6.6 CARICATO VETRO (POLIAMIDE 6.6 GLASSFIBER FILLED)
1	CONTATTO (CONTACT)	STAGNATO (TIN-PLATED)	OTTONE (BRASS)
ITEM	DENOMINAZIONE (DESCRIPTION)	FINITURA / COLORE (FINISH / COLOUR)	MATERIALE (MATERIAL)
			DIAM. ISOLANTE (INS. DIA. RANGE) 3.0 max. RANGO FILO (WIRE RANGE) 0.5-1.5mm2

THIS DRAWING IS A CONTROLLED DOCUMENT.

DWN C.CORDOLA 02DEC2008

CHK G.TURCO 02DEC2008

APVD -

PRODUCT SPEC 108-20065-1 108-20065-2

APPLICATION SPEC 114-20016 114-20016-1

WEIGHT -

CUSTOMER DRAWING



MONO SHAPE MK I TAB  
 SPECIAL 2-8 POS REAR LOCKING

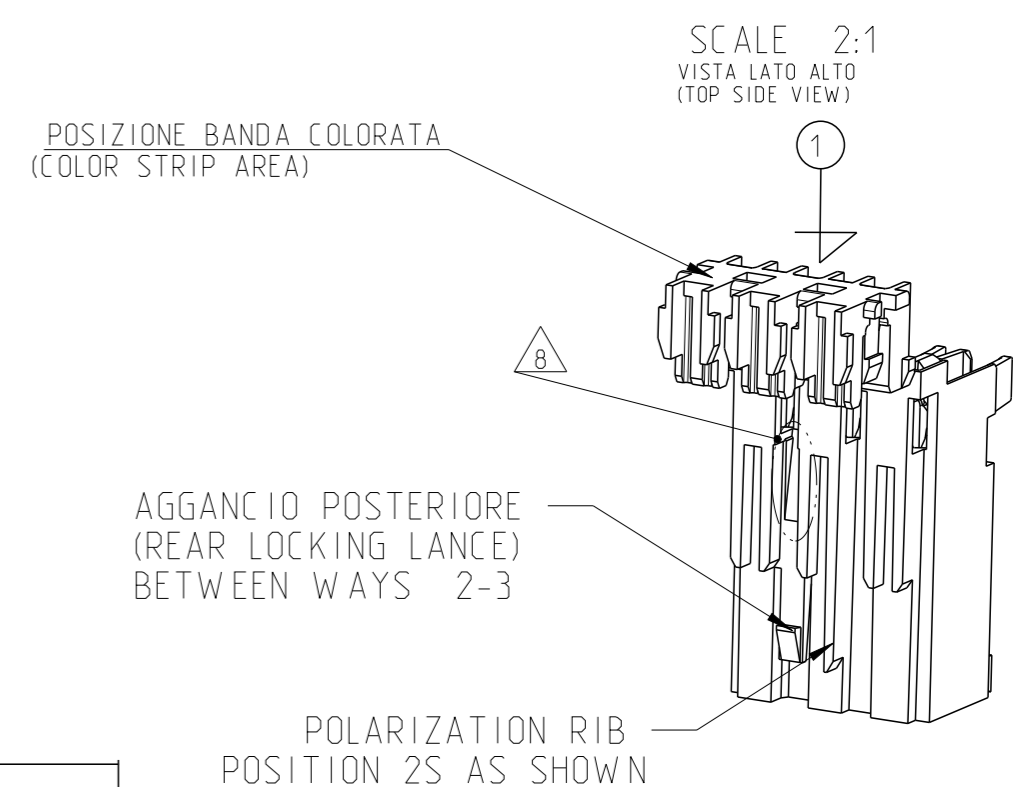
SIZE A3	CAGE CODE 00779	DRAWING NO C=293491	RESTRICTED TO -
---------	-----------------	---------------------	-----------------

DIMENSIONS: mm	TOLERANCES UNLESS OTHERWISE SPECIFIED:
	0 PLC ±
	1 PLC ±
	2 PLC ± ±0.3
	3 PLC ±
	4 PLC ±
	ANGLES ±0° 30'
MATERIAL SEE TABLE	FINISH SEE TABLE

THIS DRAWING IS UNPUBLISHED. RELEASED FOR PUBLICATION 2008  
 © COPYRIGHT 2008 ALL RIGHTS RESERVED.

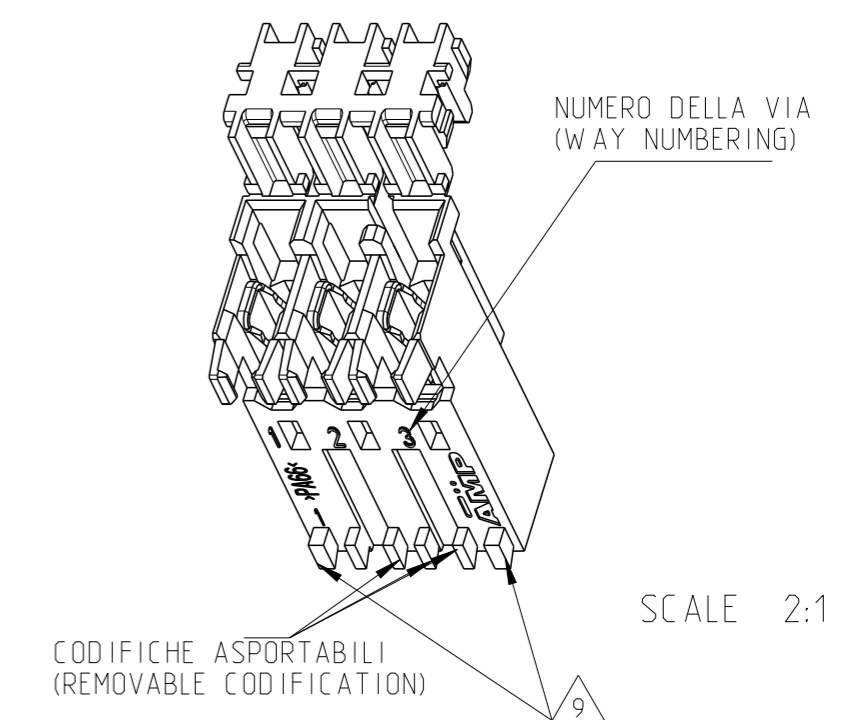
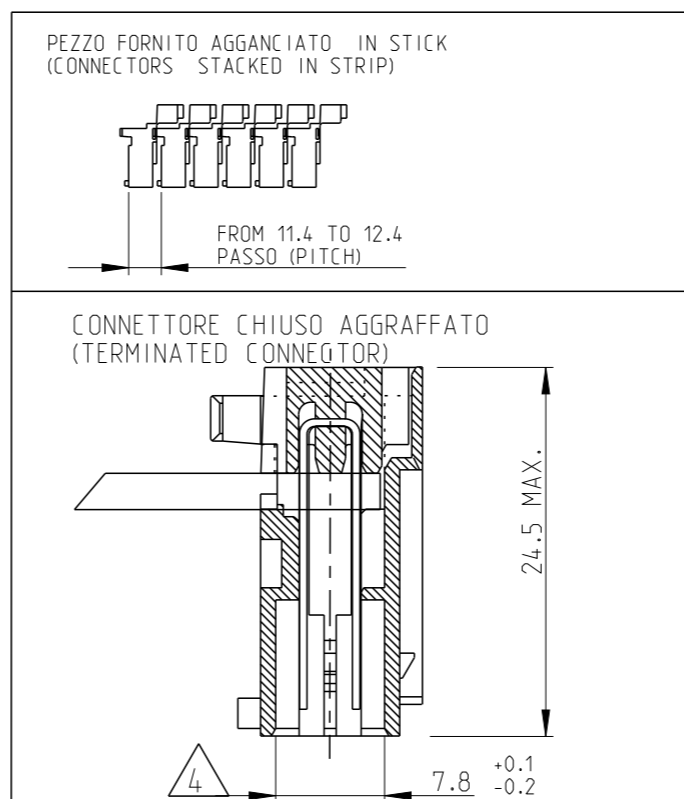
LOC	DIST	REVISIONS					
1	-	P	LTR	DESCRIPTION	DATE	DWN	APVD
				SEE SHEET 1			

NUMERO DI VIE	CONFIGURAZIONE (Vista connettore dall'alto)	VERSIONE PEZZI IN VASSOIO	PART REV.	VERSIONE PEZZI SCIOLTI	PART REV.	POSIZIONE AGGANCIO (LATO POSTERIORE)	POSIZIONE POLARIZZAZIONE (LATO POSTERIORE) (SE PRESENTE)	L +0.2 -0.3 (mm)	NOTE MARCHIATURA CON BANDA COLORATA
NO OF POS	CONFIGURATION (View from top side)	TRAY PACKAGING VERSION		LOOSE PIECES PACKAGING VERSION		LOCKING POSITION (Back side)	POSITION FOR POLARIZATION ON BACK SIDE (IF PRESENT)		NOTE STRIP COLOUR
2		0-293491-2	D	-	-	1-2	1S-2D	9.9	-
		1-293491-2	D	-	-	1-2	1S	9.9	-
		2-293491-2	D	-	-	1-2	-	9.9	-
3		0-293491-3	D	-	-	2-3	2S	14.9	-
3		1-293491-3	D	-	-	1-2	1S-2D	14.9	BLACK
4		0-293491-4	D	-	-	1-2, 3-4	1S,2D,3S	19.9	-
8		0-293491-8	D	-	-	1-2, 7-8	2D,3S,6D,7S	39.9	-



NOTE/NOTES:

- 1) NUMERI DI IDENTIFICAZIONE CAVITA' (CIRCUIT IDENTIFICATION)
- 2) MARCHIO DI FABBRICA (LIBERA POSIZIONE). (TRADE MARK LOGO FREE POSITION)
- 3) L'AGGANCIO PER LINGUETTA E' POSIZIONATO SOLO NELLA CAVITA' N 1 (VEDI ANCHE NOTA 5) (RETENTION TOOTH IT IS LOCATED ON THE CAVITY N.1 SEE ALSO NOTE 5)
- 4) DIVENTA 6.5 PER LA CAVITA' N. 1 SUI CONNETTORI (BECOMES 6.5. FOR THE CAVITY N.1)
- 5) GEOMETRIA ALTERNATIVA E OPZIONALE DEL DENTINO DI AGGANCIO (ALTERNATIVE AND OPTIONAL SHAPE FOR RETENTION TOOTH)
- 6) STATO DI FORNITURA: CONFEZIONAMENTO IN "VASSOI + SCATOLA" (PACKAGING: "ON TRAY PLUS CARTON BOX")
- 7) PRELIMINARY- PART NOT YEST RELEASED FOR PRODUCTION
- 8) SLIDE PROFILE (WEDGE SHAPE SLOT) ON THE AREA ABOVE THE LOCKING LANCE GEOMERTY TO FACILITATE UN-CHAINING PROCESS.
- 9) DIFFERENT CODING RIB GEOMETRY AT BOTH END. WIDTH OF CODING RIB REDUCED TO 1.1 mm FOR ALL REAR LOCKING VERSIONS



THIS DRAWING IS A CONTROLLED DOCUMENT.		DWN C.CORDOLA 02DEC2008	TE Connectivity	
		CHK G.TURCO 02DEC2008		
DIMENSIONS: mm		APVD -	NAME	
TOLERANCES UNLESS OTHERWISE SPECIFIED:		PRODUCT SPEC	MONO SHAPE MK I TAB	
0 PLC ±		108-20065-1	SPECIAL 2-8 POS REAR LOCKING	
1 PLC ±		108-20065-2		
2 PLC ± ±0.3		APPLICATION SPEC		
3 PLC ±		114-20016		
4 PLC ±		114-20016-1		
ANGLES ±0° 30'		WEIGHT -	SIZE A3	CAGE CODE 00779
MATERIAL SEE TABLE		FINISH SEE TABLE	DRAWING NO C-293491	
		CUSTOMER DRAWING	SCALE 2:1	SHEET 2 OF 3
			REV D1	

THIS DRAWING IS UNPUBLISHED.

RELEASED FOR PUBLICATION

2008

© COPYRIGHT 2008

ALL RIGHTS RESERVED.

LOC	DIST	REVISIONS			
P	LTR	DESCRIPTION	DATE	DWN	APVD
		SEE SHEET 1			

PA GF, UL-VO GWEPT 750 °C NO FLAME, NATURAL

NO OF POS	CONFIGURATION (View from top side) ①	TRAY PACKAGING VERSION	PART REV	LOOSE PIECES PACKAGING VERSION	PART REV	LOCKING POSITION (Back side)	POSITION FOR POLARIZATION ON BACK SIDE (IF PRESENT)	L +0.2 -0.3 (mm)	NOTE STRIP COLOUR
2		2297762-2	1	-	-	1-2	1S-2D	9.9	-
2		1-2297762-2	1	-	-	1-2	1S	9.9	-
3		2297762-3	1	-	-	1-2	1S-2D	14.9	-
4		2297762-4	1	-	-	TBD	TBD	19.9	-
8		2297762-8	1	-	-	TBD	TBD	39.9	-

THIS DRAWING IS A CONTROLLED DOCUMENT.		DWN C.CORDOLA 02DEC2008	TE Connectivity <b>MONO SHAPE MK I TAB SPECIAL 2-8 POS REAR LOCKING</b>	
DIMENSIONS: mm		CHK G.TURCO 02DEC2008		
TOLERANCES UNLESS OTHERWISE SPECIFIED:		APVD -	NAME	
0 PLC ± 1 PLC ± 2 PLC ± 3 PLC ± 4 PLC ± ANGLES ± 0° 30'		PRODUCT SPEC	-	
MATERIAL SEE TABLE		APPLICATION SPEC	-	
FINISH SEE TABLE		WEIGHT	-	
		CUSTOMER DRAWING	SIZE A3	CAGE CODE 00779
			DRAWING NO G-293491	RESTRICTED TO -
			SCALE 2:1	SHEET 3 OF 3
				REV D1

# Mouser Electronics

Authorized Distributor

Click to View Pricing, Inventory, Delivery & Lifecycle Information:

[TE Connectivity:](#)

[1-293491-3](#)