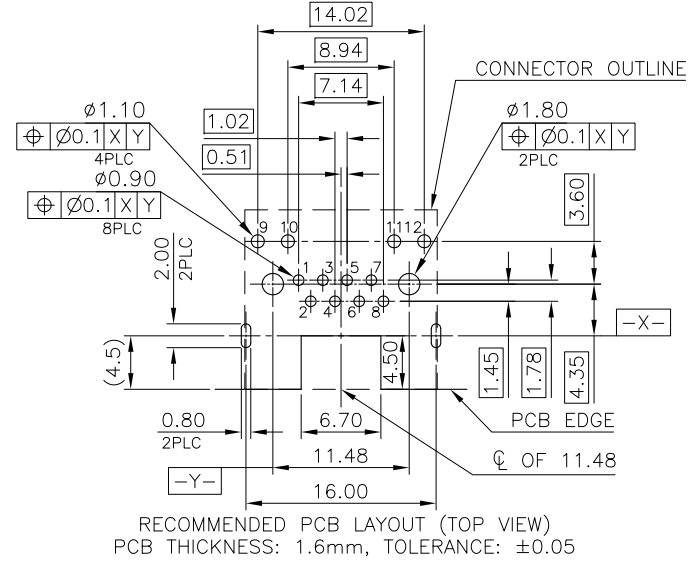
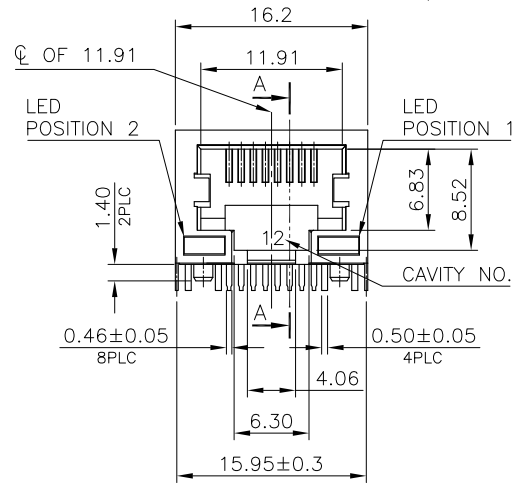
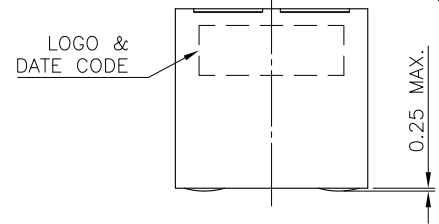
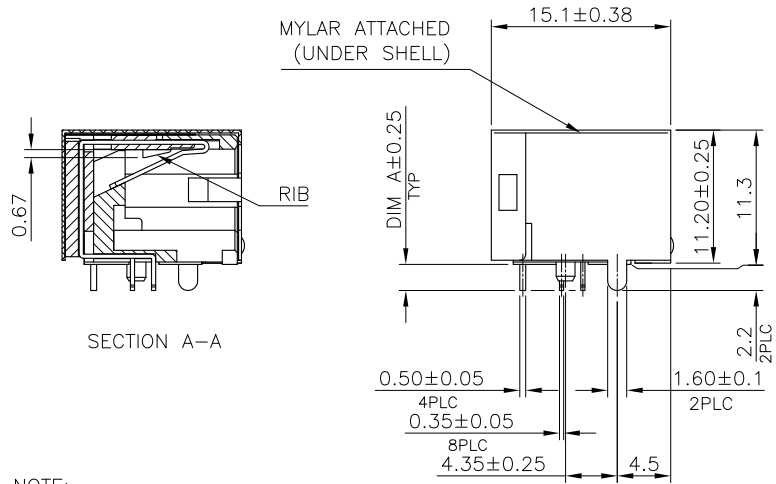
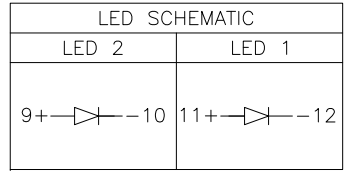
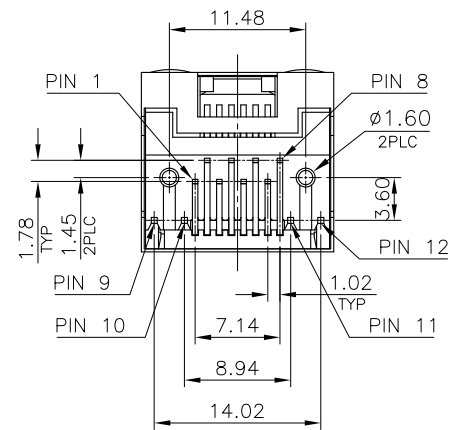


THIS DRAWING IS UNPUBLISHED.
 RELEASED FOR PUBLICATION
 © COPYRIGHT 2010 BY TYCO ELECTRONICS CORPORATION. ALL RIGHTS RESERVED.

LOC		DIST		REVISIONS					
DW				P	LTR	DESCRIPTION	DATE	DWN	APVD
				A5		REVISED (ECR-12-012115) OBSOLETE 1734324-6, 3-134324-4	26OCT'12	E.L.	W.K.



- NOTE:
- MATERIAL:
 - HOUSING: PA46, WITH 30% GF, UL94 V-0, BLACK COLOR.
 - INSERT HOUSING: PA46, WITH 30% GF, UL94 V-0, BLACK COLOR.
 - CONTACTS: PHOSPHOR BRONZE.
 - SHELL: BRASS.
 - LED SOLDER TAIL: STEEL.
 - MYLAR: SILICONE POLYMER.
 - FINISH:
 - CONTACTS: (SEE TABLE) GOLD PLATED ON CONTACT AREA. GOLD FLASH ON SOLDER TAIL. 1.27um [50u"] MIN. NICKEL UNDERPLATED OVERALL.
 - SHELL: 0.508um [20u"] MIN. NICKEL PLATED.
 - LED: 1.02um [40u"] COPPER UNDERPLATED OVERALL. 1.27um [50u"] NICKEL OVERALL. 1.27um [50u"] SILVER ON BONDING AREA. 2.54um [100u"] BRIGHT-TIN ON SOLDER AREA.
 - LED MUST BE REFLOW COMPATIBLE TO FOLLOWING TEMPERATURE PROFILE (FOR 1 CYCLE): ABOVE 160°C FOR 120 SECONDS, PEAKING AT 220°C FOR 10 SECONDS.
 - LED DEFECT RATE IS 6000 PPM MAX. AFTER IR REFLOW PROCESS AS NOTE 3.
 - WAVE SOLDER CAPABLE TO 265°C PER TE SPEC 109-202, CONDITION B.
 - OBsolete PARTS: OBsolete CIS STREAMLINING PER D.RENAUD/D.SINISI.



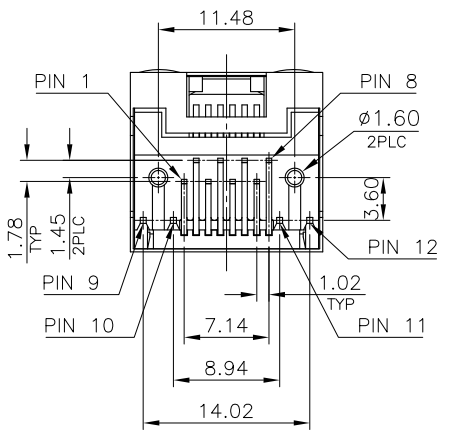
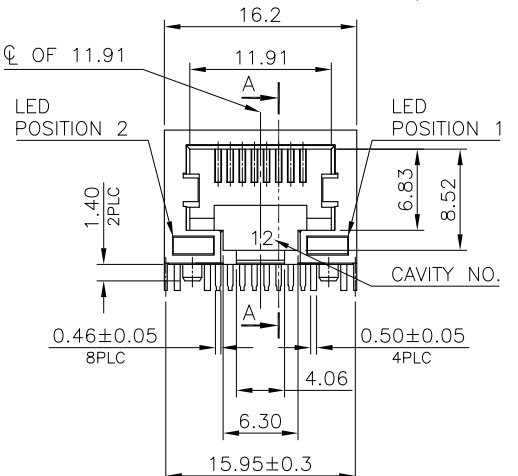
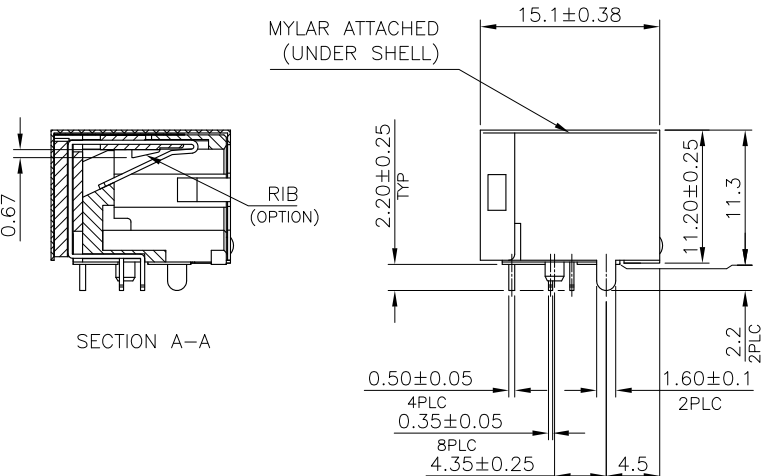
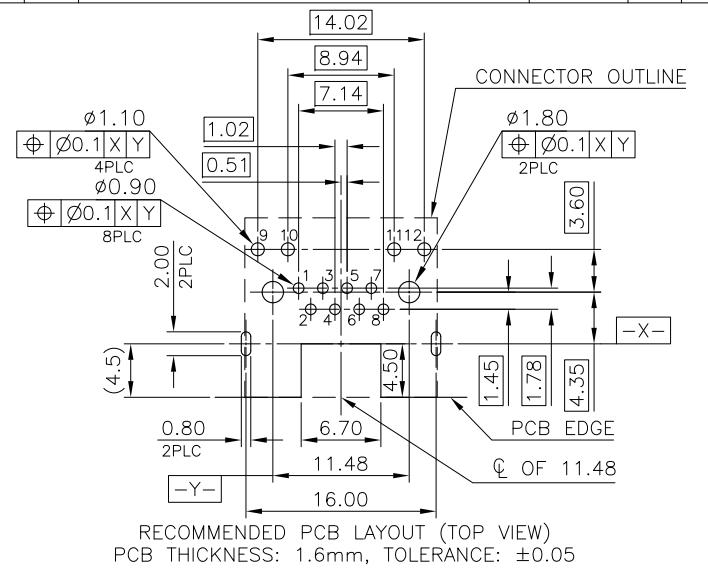
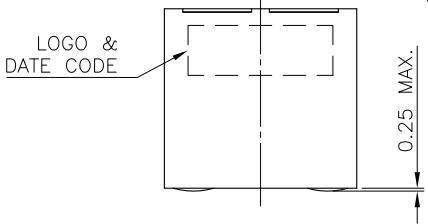
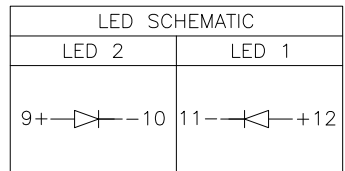
6	OBsolete	REEL	2.2	YELLOW	GREEN	1.27um[50u"]	1-1734324-8
						0.762um[30u"]	1-1734324-7
6	OBsolete	TRAY	2.2	GREEN	YELLOW	0.381um[15u"]	1-1734324-6
						0.152um[6u"]	1-1734324-5
6	OBsolete	TRAY	2.2	YELLOW	GREEN	1.27um[50u"]	1-1734324-4
						0.762um[30u"]	1734324-7
6	OBsolete	TRAY	2.2	GREEN	YELLOW	0.381um[15u"]	1-1734324-3
						0.152um[6u"]	1-1734324-4
6	OBsolete	TRAY	2.2	GREEN	YELLOW	1.27um[50u"]	1-1734324-8
						0.762um[30u"]	1734324-7
6	OBsolete	TRAY	2.2	YELLOW	GREEN	0.381um[15u"]	1-1734324-6
						0.152um[6u"]	1734324-5
6	OBsolete	TRAY	2.2	GREEN	YELLOW	1.27um[50u"]	1-1734324-4
						0.762um[30u"]	1734324-3
6	OBsolete	TRAY	2.2	GREEN	YELLOW	0.381um[15u"]	1-1734324-2
						0.152um[6u"]	1734324-1
PACKAGE	DIM A	POSITION 2	POSITION 1	MIN. GOLD THICKNESS	PART NUMBER		
		INDICATOR COLOR					

THIS DRAWING IS A CONTROLLED DOCUMENT.

DIMENSIONS: mm	TOLERANCES UNLESS OTHERWISE SPECIFIED:	DWN A. WU 04MAR2008	TE Connectivity MODULAR JACK CONNECTOR RJ45 WITH LED, 8P8C, SHIELDED TAB DOWN, DIP TYPE, H=11.3mm
	0 PLC ± - 1 PLC ± 0.3 2 PLC ± 0.2 3 PLC ± 0.15 4 PLC ± 0.1 ANGLES ± ± 3'	CHK S. HOU 04MAR2008	
MATERIAL SEE NOTE	FINISH SEE NOTE	APVD W. KODAMA 04MAR2008	
		PRODUCT SPEC 108-57535	
		APPLICATION SPEC	NAME
		WEIGHT 4.5 GRAMS	SIZE CAGE CODE DRAWING NO RESTRICTED TO
		CUSTOMER DRAWING	A3 00779 C=1734324
		SCALE	SHEET 1 of 7 REV A5

THIS DRAWING IS UNPUBLISHED.
 RELEASED FOR PUBLICATION
 © COPYRIGHT 2010 BY TYCO ELECTRONICS CORPORATION. ALL RIGHTS RESERVED.

LOC		DIST		REVISIONS					
DW				P	LTR	DESCRIPTION	DATE	DWN	APVD
				SEE SHEET 1.					



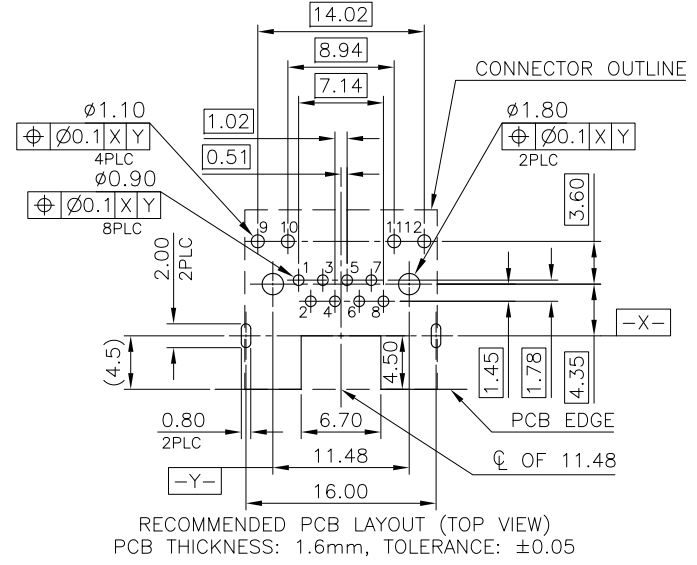
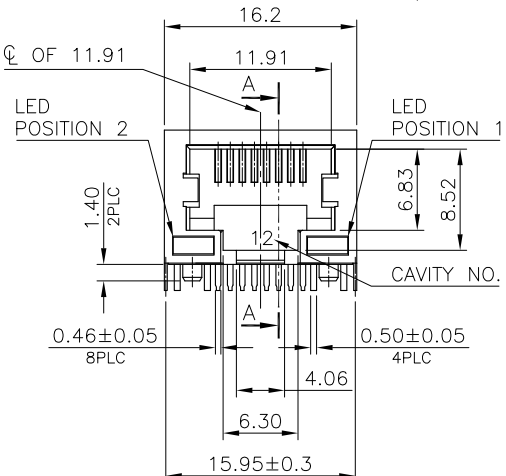
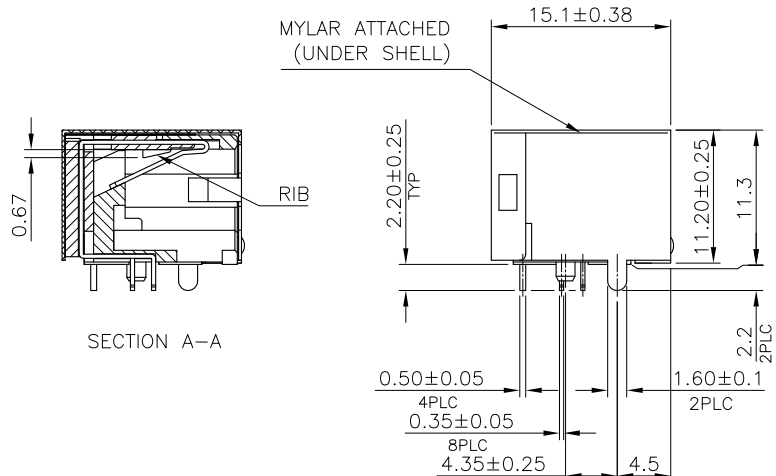
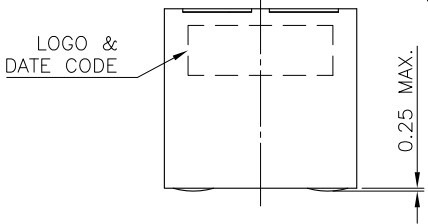
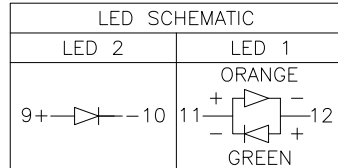
- NOTE:
- MATERIAL:
 - HOUSING: PA46, WITH 30% GF, UL94 V-0, BLACK COLOR.
 - INSERT HOUSING: PA46, WITH 30% GF, UL94 V-0, BLACK COLOR.
 - CONTACTS: PHOSPHOR BRONZE.
 - SHELL: BRASS.
 - LED SOLDER TAIL: STEEL.
 - MYLAR: SILICONE POLYMER.
 - FINISH:
 - CONTACTS: (SEE TABLE) GOLD PLATED ON CONTACT AREA. GOLD FLASH ON SOLDER TAIL.
1.27um [50u"] MIN. NICKEL UNDERPLATED OVERALL.
 - SHELL: 0.508um [20u"] MIN. NICKEL PLATED.
 - LED: 1.02um [40u"] COPPER UNDERPLATED OVERALL.
1.27um [50u"] NICKEL OVERALL.
1.27um [50u"] SILVER ON BONDING AREA.
2.54um [100u"] BRIGHT-TIN ON SOLDER AREA.
 - LED MUST BE REFLOW COMPATIBLE TO FOLLOWING TEMPERATURE PROFILE (FOR 1 CYCLE): ABOVE 160°C FOR 120 SECONDS, PEAKING AT 220°C FOR 10 SECONDS.
 - LED DEFECT RATE IS 6000 PPM MAX. AFTER IR REFLOW PROCESS AS NOTE 3.
 - WAVE SOLDER CAPABLE TO 265°C PER TE SPEC 109-202, CONDITION B.
- ⚠️ OBSOLETE PARTS: OBSOLETE CIS STREAMLINING PER D.RENAUD/D.SINISI.**

⚠️ OBSOLETE	W/O TAPE & REEL	YELLOW	GREEN	1.27um[50u"]	3-1734324-8
				0.762um[30u"]	3-1734324-7
				0.381um[15u"]	3-1734324-6
⚠️ OBSOLETE	W/O TAPE & REEL	GREEN	YELLOW	0.152um[6u"]	3-1734324-5
				1.27um[50u"]	3-1734324-4
				0.762um[30u"]	3-1734324-3
⚠️ OBSOLETE	W/ TRAY	YELLOW	GREEN	0.381um[15u"]	3-1734324-2
				0.152um[6u"]	3-1734324-1
				1.27um[50u"]	2-1734324-8
⚠️ OBSOLETE	W/ TRAY	GREEN	YELLOW	0.762um[30u"]	2-1734324-7
				0.381um[15u"]	2-1734324-6
				0.152um[6u"]	2-1734324-5
⚠️ OBSOLETE	W/ TRAY	GREEN	YELLOW	1.27um[50u"]	2-1734324-4
				0.762um[30u"]	2-1734324-3
				0.381um[15u"]	2-1734324-2
⚠️ OBSOLETE	W/ TRAY	YELLOW	GREEN	0.152um[6u"]	2-1734324-1
				1.27um[50u"]	2-1734324-8
				0.762um[30u"]	2-1734324-7

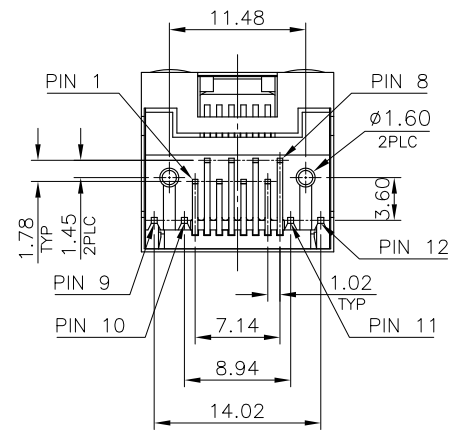
THIS DRAWING IS A CONTROLLED DOCUMENT.		DWN		
DIMENSIONS: mm		CHK		
TOLERANCES UNLESS OTHERWISE SPECIFIED:		APVD		
0 PLC ± -		PRODUCT SPEC	NAME	
1 PLC ± 0.3		APPLICATION SPEC	MODULAR JACK CONNECTOR	
2 PLC ± 0.2		WEIGHT	RJ45 WITH LED, 8P8C, SHIELDED	
3 PLC ± 0.15		CUSTOMER DRAWING	TAB DOWN, DIP TYPE, H=11.3mm	
4 PLC ± 0.1		SCALE	RESTRICTED TO	
ANGLES ± 3'		SIZE	CAGE CODE	DRAWING NO
MATERIAL		A3 00779		©=1734324
FINISH		CUSTOMER DRAWING		SHEET 2 of 7
		REV A5		

THIS DRAWING IS UNPUBLISHED. RELEASED FOR PUBLICATION
 © COPYRIGHT 2010 BY TYCO ELECTRONICS CORPORATION. ALL RIGHTS RESERVED.

LOC		DIST		REVISIONS					
DW				P	LTR	DESCRIPTION	DATE	DWN	APVD
SEE SHEET 1.									



- NOTE:
- MATERIAL:
 - HOUSING: PA46, WITH 30% GF, UL94 V-0, BLACK COLOR.
 - INSERT HOUSING: PA46, WITH 30% GF, UL94 V-0, BLACK COLOR.
 - CONTACTS: PHOSPHOR BRONZE.
 - SHELL: BRASS.
 - LED SOLDER TAIL: STEEL.
 - MYLAR: SILICONE POLYMER.
 - FINISH:
 - CONTACTS: (SEE TABLE) GOLD PLATED ON CONTACT AREA. GOLD FLASH ON SOLDER TAIL. 1.27um [50u"] MIN. NICKEL UNDERPLATED OVERALL.
 - SHELL: 0.508um [20u"] MIN. NICKEL PLATED.
 - LED: 1.02um [40u"] COPPER UNDERPLATED OVERALL. 1.27um [50u"] NICKEL OVERALL. 1.27um [50u"] SILVER ON BONDING AREA. 2.54um [100u"] BRIGHT-TIN ON SOLDER AREA.
 - LED MUST BE REFLOW COMPATIBLE TO FOLLOWING TEMPERATURE PROFILE (FOR 1 CYCLE): ABOVE 160°C FOR 120 SECONDS, PEAKING AT 220°C FOR 10 SECONDS.
 - LED DEFECT RATE IS 6000 PPM MAX. AFTER IR REFLOW PROCESS AS NOTE 3.
 - WAVE SOLDER CAPABLE TO 265°C PER TE SPEC 109-202, CONDITION B.
 - OBsolete PARTS: OBsolete CIS STREAMLINING PER D.RENAUD/D.SINISI.

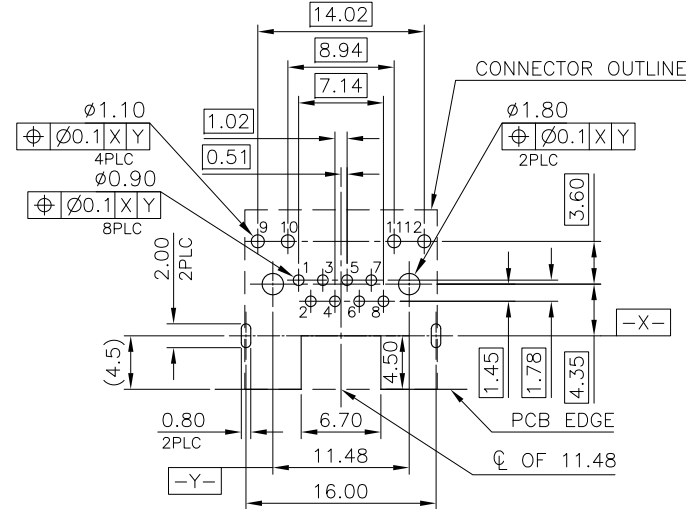
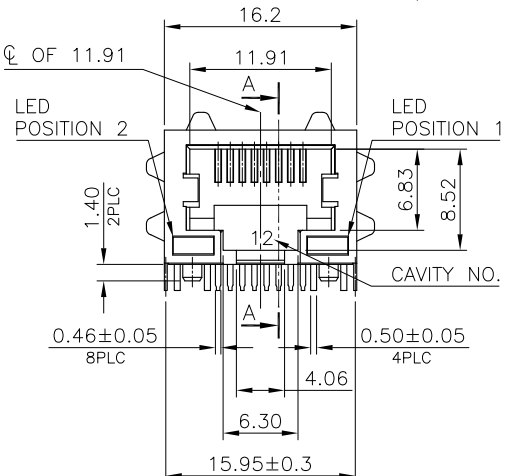
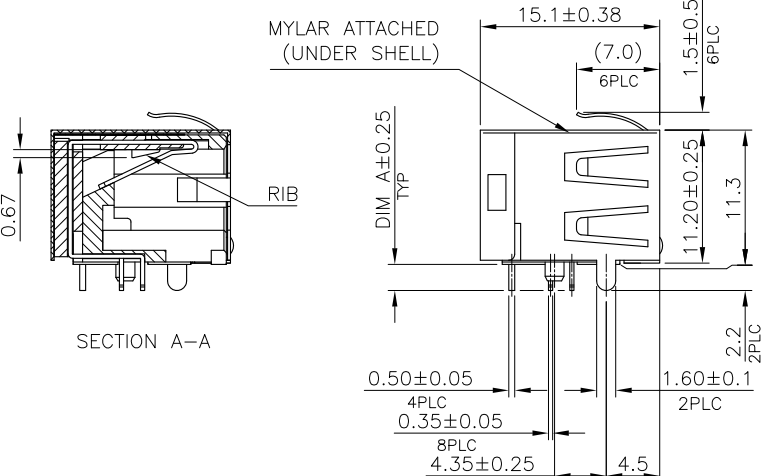
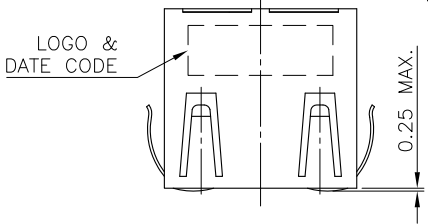
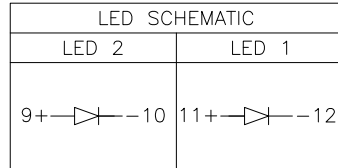


6	OBsolete	TRAY	GREEN	ORANGE/GREEN	1.27um [50u"]	4-1734324-4
	0.762um [30u"]				4-1734324-3	
6	OBsolete	PACKAGE	POSITION 2 INDICATOR COLOR	POSITION 1	0.381um [15u"]	4-1734324-2
					0.152um [6u"]	4-1734324-1
					MIN. GOLD THICKNESS	PART NUMBER

THIS DRAWING IS A CONTROLLED DOCUMENT.		DWN	TE Connectivity			
DIMENSIONS: mm		CHK	NAME			
TOLERANCES UNLESS OTHERWISE SPECIFIED:		APVD	MODULAR JACK CONNECTOR			
0 PLC ± -		PRODUCT SPEC	RJ45 WITH LED, 8P8C, SHIELDED			
1 PLC ± 0.3		APPLICATION SPEC	TAB DOWN, DIP TYPE, H=11.3mm			
2 PLC ± 0.2		WEIGHT	SIZE	CAGE CODE	DRAWING NO	RESTRICTED TO
3 PLC ± 0.15			A3	00779	C=1734324	
4 PLC ± -		CUSTOMER DRAWING	SCALE	SHEET	3 of 7	REV A5
ANGLES ± 3'						
MATERIAL	FINISH					

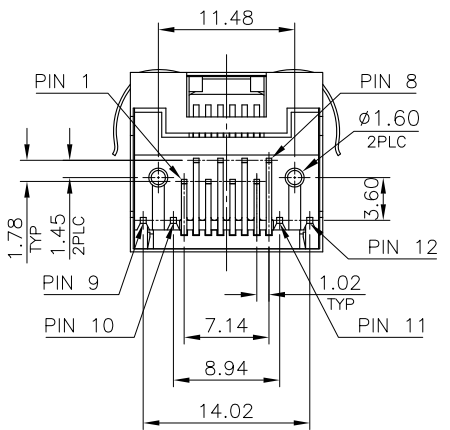
THIS DRAWING IS UNPUBLISHED. RELEASED FOR PUBLICATION
 © COPYRIGHT 2010 BY TYCO ELECTRONICS CORPORATION. ALL RIGHTS RESERVED.

LOC	DIST	REVISIONS					
DW		P	LTR	DESCRIPTION	DATE	DWN	APVD
				SEE SHEET 1.			



RECOMMENDED PCB THICKNESS	DIM A
1.6	2.2
2.0	3.5

- NOTE:
- MATERIAL:
 - HOUSING: PA46, WITH 30% GF, UL94 V-0, BLACK COLOR.
 - INSERT HOUSING: PA46, WITH 30% GF, UL94 V-0, BLACK COLOR.
 - CONTACTS: PHOSPHOR BRONZE.
 - SHELL: BRASS.
 - LED SOLDER TAIL: STEEL.
 - MYLAR: SILICONE POLYMER.
 - FINISH:
 - CONTACTS: (SEE TABLE) GOLD PLATED ON CONTACT AREA. GOLD FLASH ON SOLDER TAIL. 1.27um [50u"] MIN. NICKEL UNDERPLATED OVERALL.
 - SHELL: 0.508um [20u"] MIN. NICKEL PLATED.
 - LED: 1.02um [40u"] COPPER UNDERPLATED OVERALL. 1.27um [50u"] NICKEL OVERALL. 1.27um [50u"] SILVER ON BONDING AREA. 2.54um [100u"] BRIGHT-TIN ON SOLDER AREA.
 - LED MUST BE REFLOW COMPATIBLE TO FOLLOWING TEMPERATURE PROFILE (FOR 1 CYCLE): ABOVE 160°C FOR 120 SECONDS, PEAKING AT 220°C FOR 10 SECONDS.
 - LED DEFECT RATE IS 6000 PPM MAX. AFTER IR REFLOW PROCESS AS NOTE 3.
 - WAVE SOLDER CAPABLE TO 265°C PER TE SPEC 109-202, CONDITION B.
- ⚠️ OBSOLETE PARTS: OBSOLETE CIS STREAMLINING PER D.RENAUD/D.SINISI.



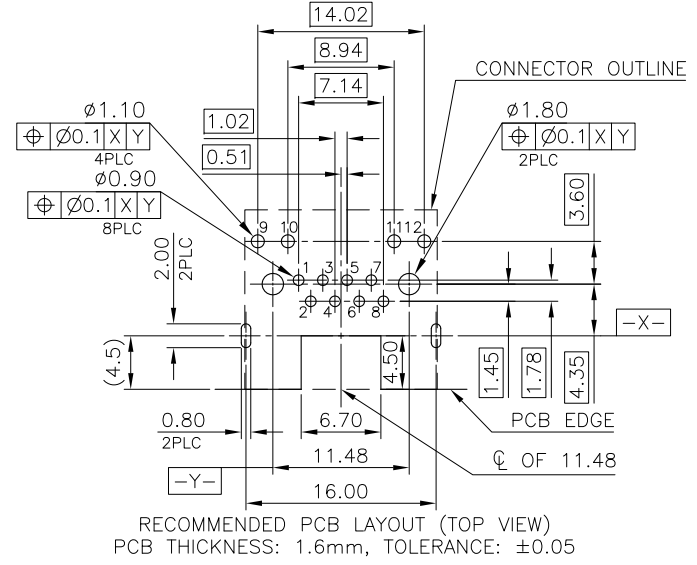
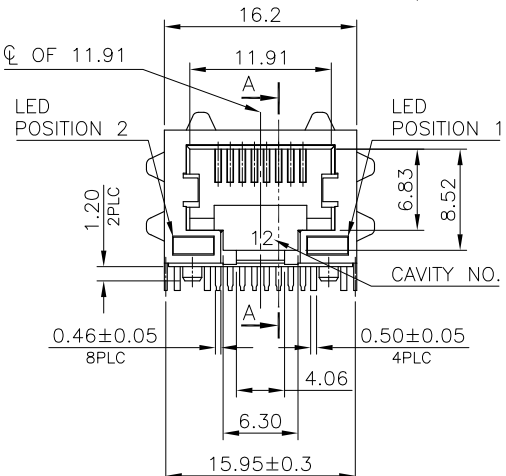
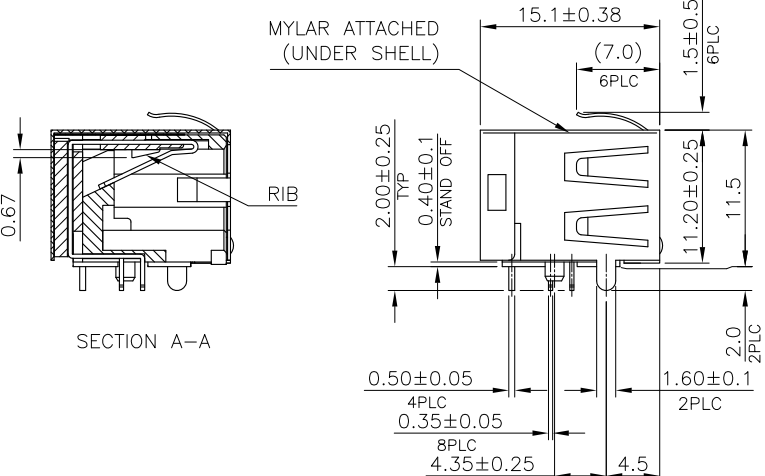
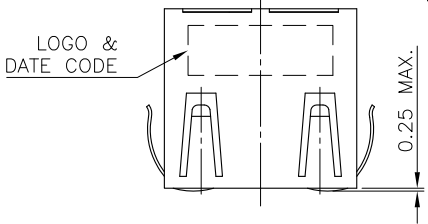
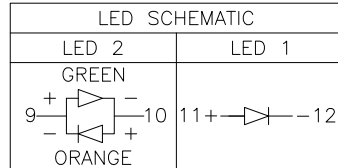
⚠️ OBSOLETE	TRAY	3.5	GREEN	YELLOW	0.762um[30u"]	5-1734324-9					
		2.2	YELLOW	GREEN	1.27um[50u"]	5-1734324-8					
					0.762um[30u"]	5-1734324-7					
					0.381um[15u"]	5-1734324-6					
⚠️ OBSOLETE	PACKAGE	DIM A	POSITION 2	POSITION 1	MIN. GOLD THICKNESS	PART NUMBER					
							INDICATOR COLOR	GREEN	YELLOW	0.152um[6u"]	5-1734324-5
								GREEN	YELLOW	1.27um[50u"]	5-1734324-4
					0.762um[30u"]	5-1734324-3					
					0.381um[15u"]	5-1734324-2					
					0.152um[6u"]	5-1734324-1					

THIS DRAWING IS A CONTROLLED DOCUMENT.

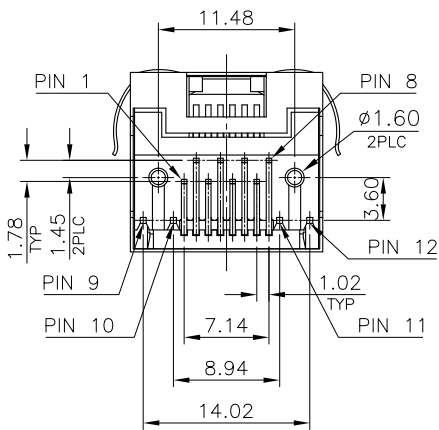
DIMENSIONS: mm	TOLERANCES UNLESS OTHERWISE SPECIFIED:	DWN	TE Connectivity
	0 PLC ± - 1 PLC ± 0.3 2 PLC ± 0.2 3 PLC ± 0.15 4 PLC ± - ANGLES ± - ± 3'	CHK	NAME
MATERIAL	FINISH	APVD	MODULAR JACK CONNECTOR RJ45 WITH LED, 8P8C, SHIELDED TAB DOWN, DIP TYPE, H=11.3mm
		PRODUCT SPEC	SIZE CAGE CODE DRAWING NO RESTRICTED TO
		APPLICATION SPEC	A3 00779 C=1734324
		WEIGHT	CUSTOMER DRAWING SCALE SHEET 4 OF 7 REV A5

THIS DRAWING IS UNPUBLISHED. RELEASED FOR PUBLICATION
 © COPYRIGHT 2010 BY TYCO ELECTRONICS CORPORATION. ALL RIGHTS RESERVED.

LOC		DIST		REVISIONS					
DW				P	LTR	DESCRIPTION	DATE	DWN	APVD
SEE SHEET 1.									



- NOTE:
- MATERIAL:
 - 1.1 HOUSING: PA9T, WITH 30% GF, UL94 V-0, BLACK COLOR.
 - 1.2 INSERT HOUSING: PA46, WITH 30% GF, UL94 V-0, BLACK COLOR.
 - 1.3 CONTACTS: PHOSPHOR BRONZE.
 - 1.4 SHELL: BRASS.
 - 1.5 LED SOLDER TAIL: STEEL.
 - 1.6 MYLAR: SILICONE POLYMER.
 - FINISH:
 - 2.1 CONTACTS: (SEE TABLE) GOLD PLATED ON CONTACT AREA. GOLD FLASH ON SOLDER TAIL. 1.27um [50u"] MIN. NICKEL UNDERPLATED OVERALL.
 - 2.2 SHELL: 0.508um [20u"] MIN. NICKEL PLATED.
 - 2.3 LED: 1.02um [40u"] COPPER UNDERPLATED OVERALL. 1.27um [50u"] NICKEL OVERALL. 1.27um [50u"] SILVER ON BONDING AREA. 2.54um [100u"] BRIGHT-TIN ON SOLDER AREA.
 - LED MUST BE REFLOW COMPATIBLE TO FOLLOWING TEMPERATURE PROFILE (FOR 1 CYCLE): ABOVE 160°C FOR 120 SECONDS, PEAKING AT 220°C FOR 10 SECONDS.
 - LED DEFECT RATE IS 6000 PPM MAX. AFTER IR REFLOW PROCESS AS NOTE 3.
 - WAVE SOLDER CAPABLE TO 265°C PER TE SPEC 109-202, CONDITION B.



TAPE & REEL	GREEN/ ORANGE	YELLOW	1.27um [50u"]	6-1734324-8
			0.762um [30u"]	6-1734324-7
			0.381um [15u"]	6-1734324-6
TRAY	GREEN/ ORANGE	YELLOW	0.152um [6u"]	6-1734324-5
			1.27um [50u"]	6-1734324-4
			0.762um [30u"]	6-1734324-3
PACKAGE	POSITION 2 INDICATOR COLOR	POSITION 1	0.381um [15u"]	6-1734324-2
			0.152um [6u"]	6-1734324-1
			MIN. GOLD THICKNESS	PART NUMBER

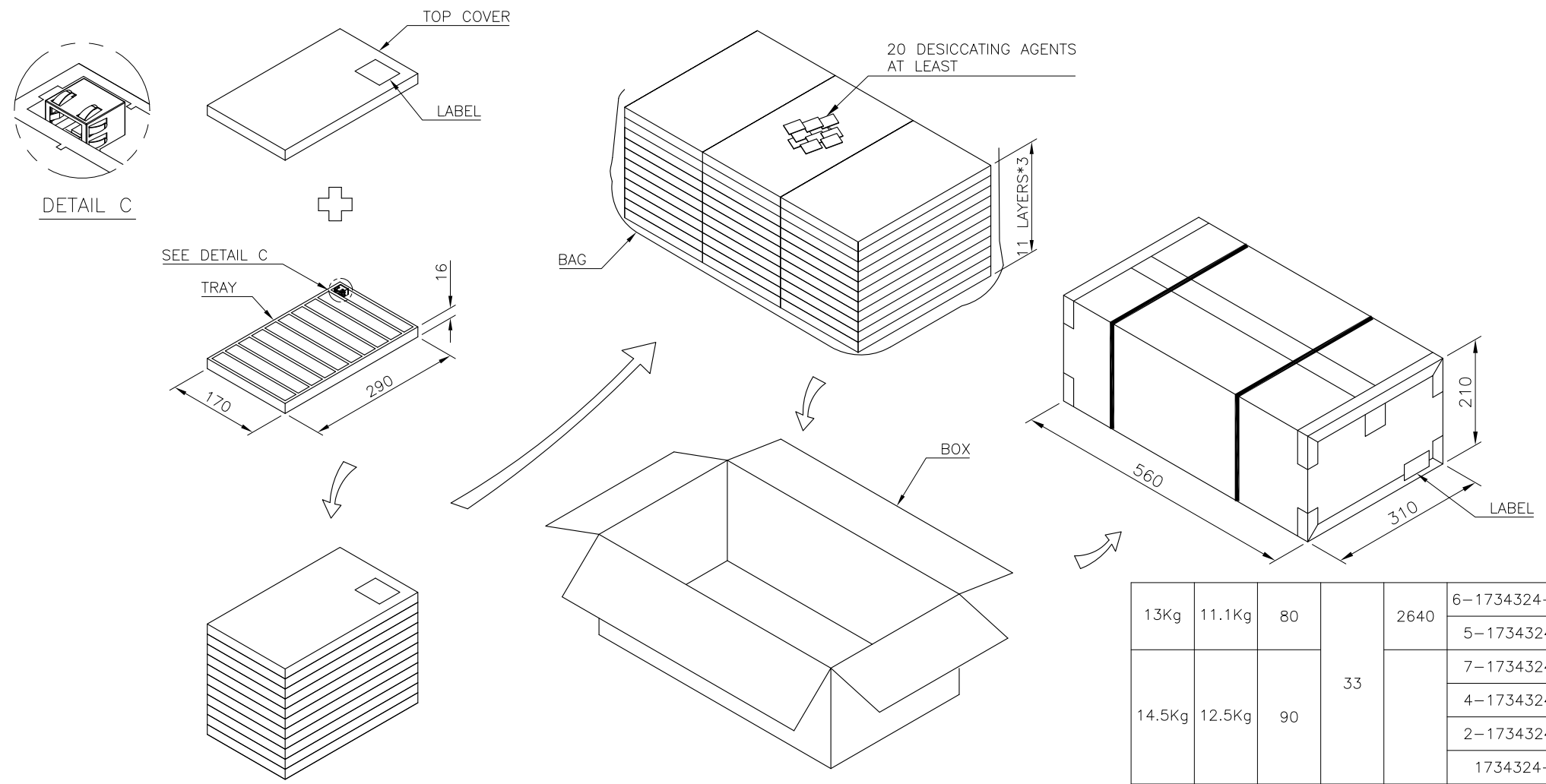
THIS DRAWING IS A CONTROLLED DOCUMENT.

DIMENSIONS: mm	TOLERANCES UNLESS OTHERWISE SPECIFIED:	DWN	
	0 PLC ±	CHK	
	1 PLC ±0.3	APVD	
	2 PLC ±0.2	PRODUCT SPEC	NAME
	3 PLC ±0.15	APPLICATION SPEC	
	4 PLC ±	WEIGHT	
	ANGLES ± 3'	CUSTOMER DRAWING	SCALE
MATERIAL	FINISH	SIZE	CAGE CODE
		A3	00779
		DRAWING NO	C=1734324
		RESTRICTED TO	
		SHEET	5 of 7
		REV	A5

STE TE Connectivity
 MODULAR JACK CONNECTOR
 RJ45 WITH LED, 8P8C, SHIELDED
 TAB DOWN, DIP TYPE, H=11.3mm

THIS DRAWING IS UNPUBLISHED. RELEASED FOR PUBLICATION
 © COPYRIGHT 2010 BY TYCO ELECTRONICS CORPORATION. ALL RIGHTS RESERVED.

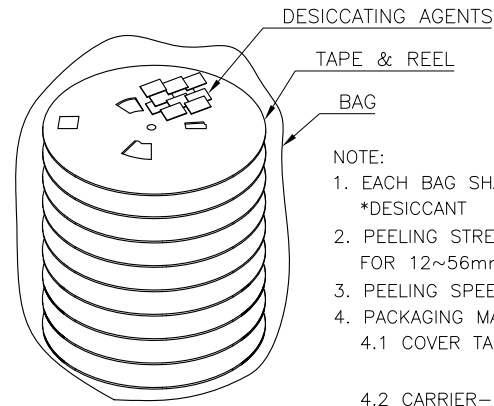
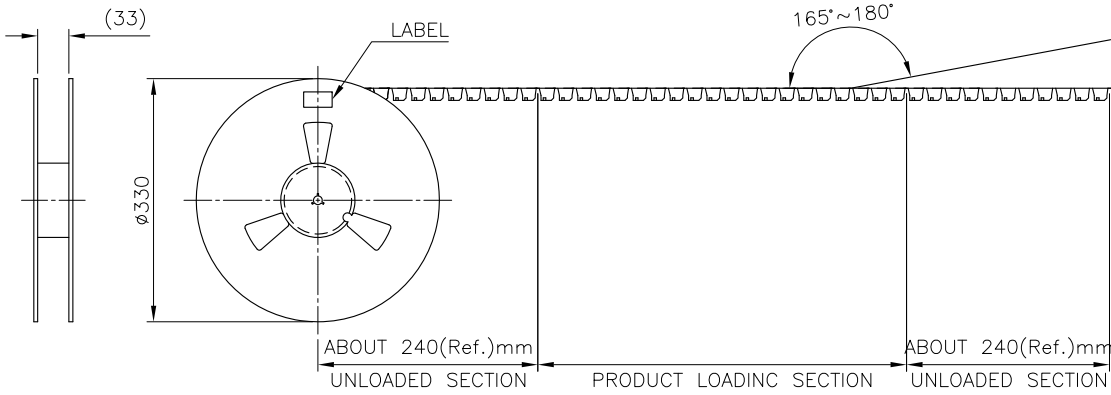
LOC DW	DIST	REVISIONS			
P	LTR	DESCRIPTION	DATE	DWN	APVD
		SEE SHEET 1.			



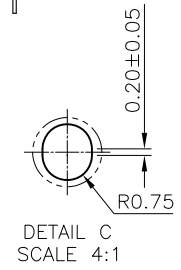
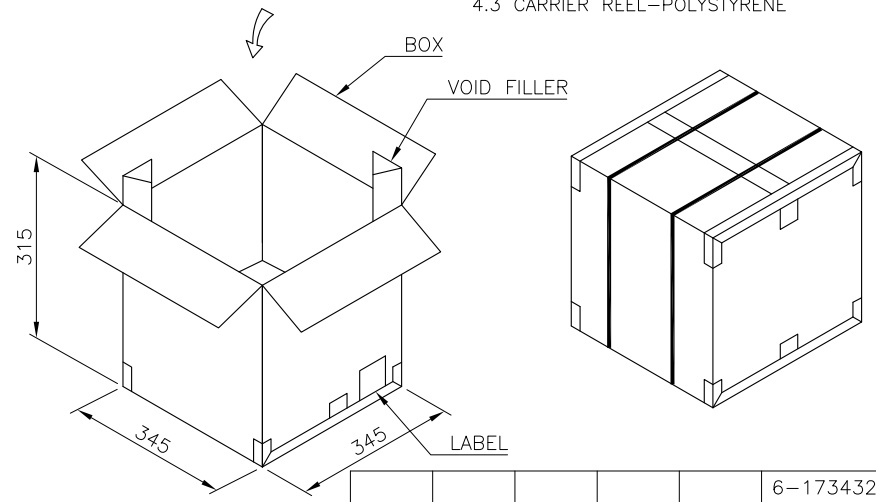
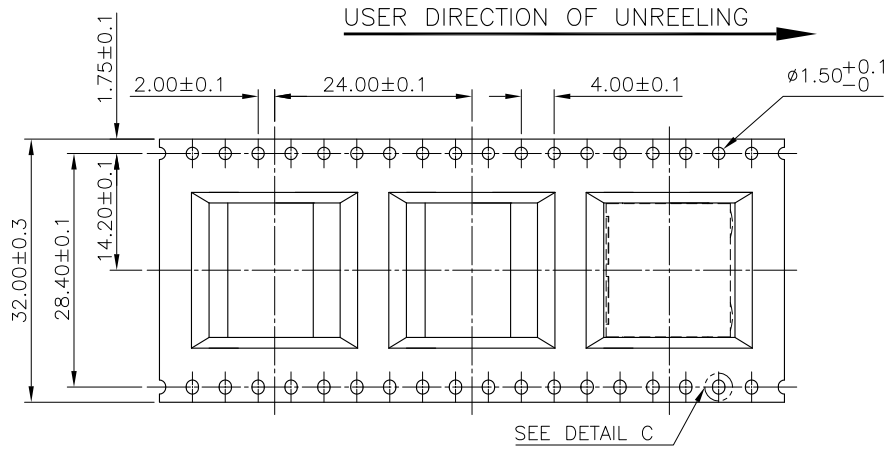
13Kg	11.1Kg	80	33	2640	6-1734324-1~4
14.5Kg	12.5Kg	90			7-1734324-X
					4-1734324-X
					2-1734324-X
					1734324-X
GROSS WEIGHT	NET WEIGHT	PCS /TRAY	TRAY /BOX	PCS /BOX	PART NUMBER

- NOTES:
- MATERIAL:
TRAY: PVC.
BOX: CORRUGATED FIBER.
 - DIMENSION: SEE DRAWING
 - QUANTITY: SEE TABLE
 - WEIGHT: SEE TABLE

THIS DRAWING IS A CONTROLLED DOCUMENT.		DWN	TE Connectivity			
DIMENSIONS: mm 		CHK	NAME			
TOLERANCES UNLESS OTHERWISE SPECIFIED: 0 PLC ± - 1 PLC ±0.3 2 PLC ±0.2 3 PLC ±0.15 4 PLC ANGLES ± - ± 3°		APVD	MODULAR JACK CONNECTOR RJ45 WITH LED, 8P8C, SHIELDED TAB DOWN, DIP TYPE, H=11.3mm			
MATERIAL		PRODUCT SPEC	SIZE	CAGE CODE	DRAWING NO	RESTRICTED TO
FINISH		APPLICATION SPEC	A3	00779	C=1734324	
		WEIGHT	CUSTOMER DRAWING		SCALE	SHEET 6 of 7 REV A5



- NOTE:
- EACH BAG SHALL BE INCLUDED:
*DESICCANT
 - PEELING STRENGTH: 0.1~1.3N(1~130 GRAMS) FOR 12~56mm WIDE CARRIER TAPES
 - PEELING SPEED: 300mm/MINUTES.
 - PACKAGING MATERIAL:
 - COVER TAPE—COMPOSITE OF POLYETHYLENE TEREPHTHALATE (PET)
 - CARRIER—POLYSTYRENE (PS)
 - CARRIER REEL—POLYSTYRENE



8.5KG	6.1KG	180	8	1440	6-1734324-5~8
					3-1734324-X
					1-1734324-X
GROSS WEIGHT	NET WEIGHT	PCS /REEL	REEL /BOX	PCS /BOX	PART NUMBER

THIS DRAWING IS A CONTROLLED DOCUMENT.

DIMENSIONS: mm

TOLERANCES UNLESS OTHERWISE SPECIFIED:

0 PLC	±
1 PLC	±0.3
2 PLC	±0.2
3 PLC	±0.15
4 PLC	±
ANGLES	± 3'

MATERIAL: _____ FINISH: _____

DWN: _____
 CHK: _____
 APVD: _____
 PRODUCT SPEC: _____
 APPLICATION SPEC: _____
 WEIGHT: _____

STE TE Connectivity

NAME: _____
 MODULAR JACK CONNECTOR
 RJ45 WITH LED, 8P8C, SHIELDED
 TAB DOWN, DIP TYPE, H=11.3mm

SIZE: A3 CAGE CODE: 00779 DRAWING NO: C=1734324 RESTRICTED TO: _____

CUSTOMER DRAWING SCALE: _____ SHEET 7 of 7 REV A5

Mouser Electronics

Authorized Distributor

Click to View Pricing, Inventory, Delivery & Lifecycle Information:

[TE Connectivity:](#)

[1-1734324-8](#)