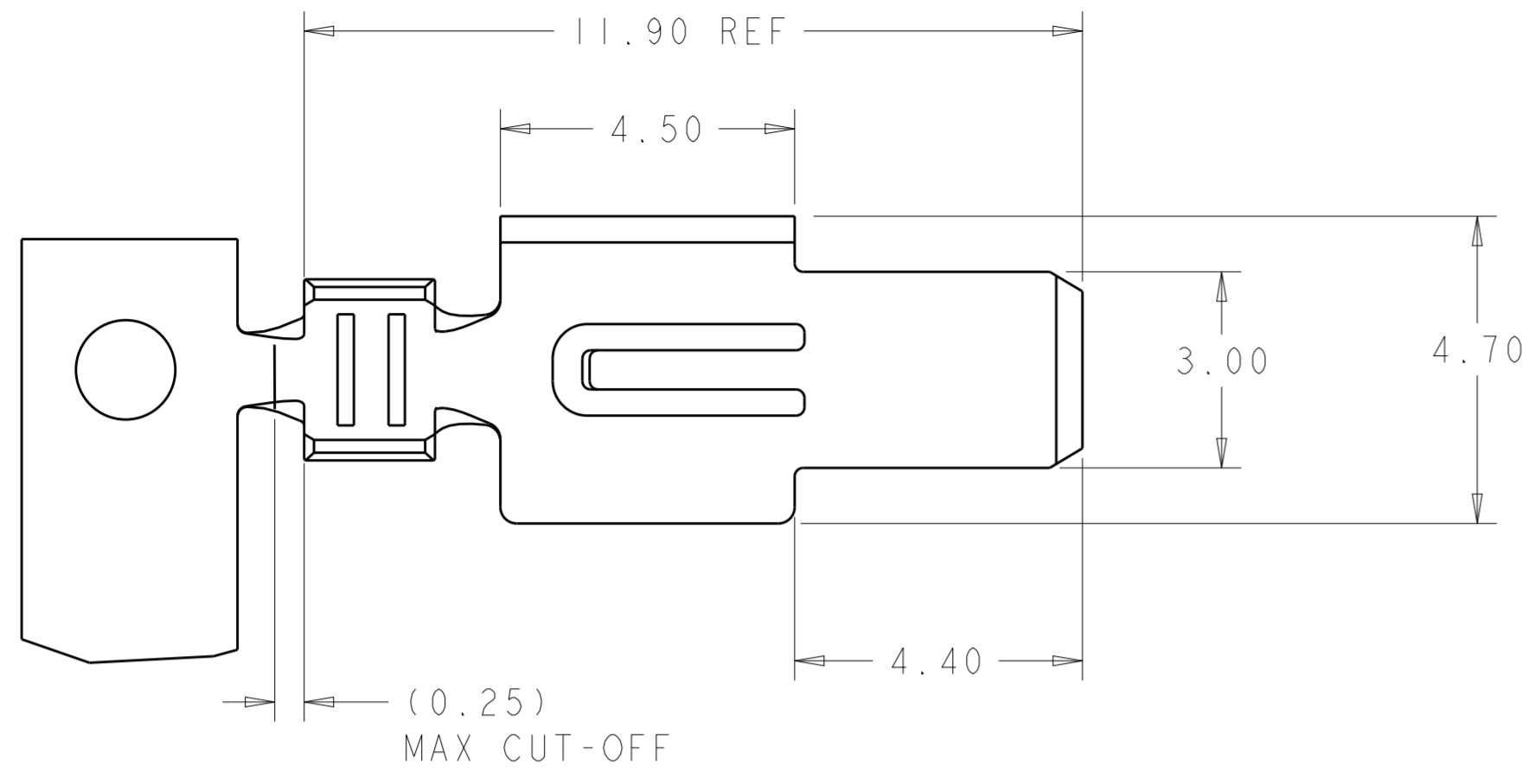


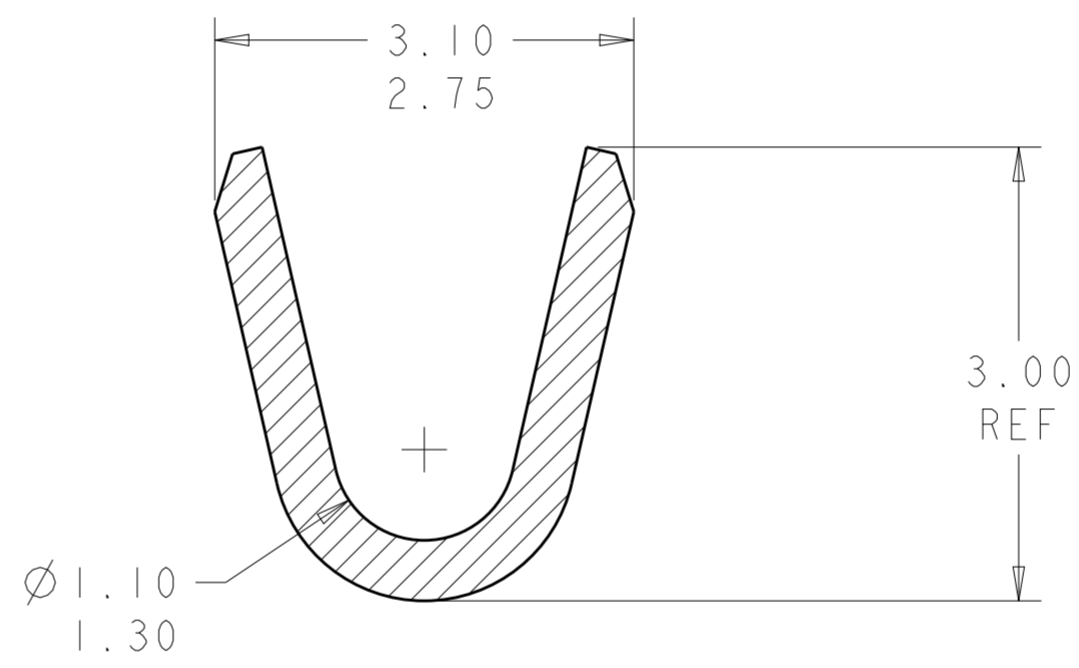
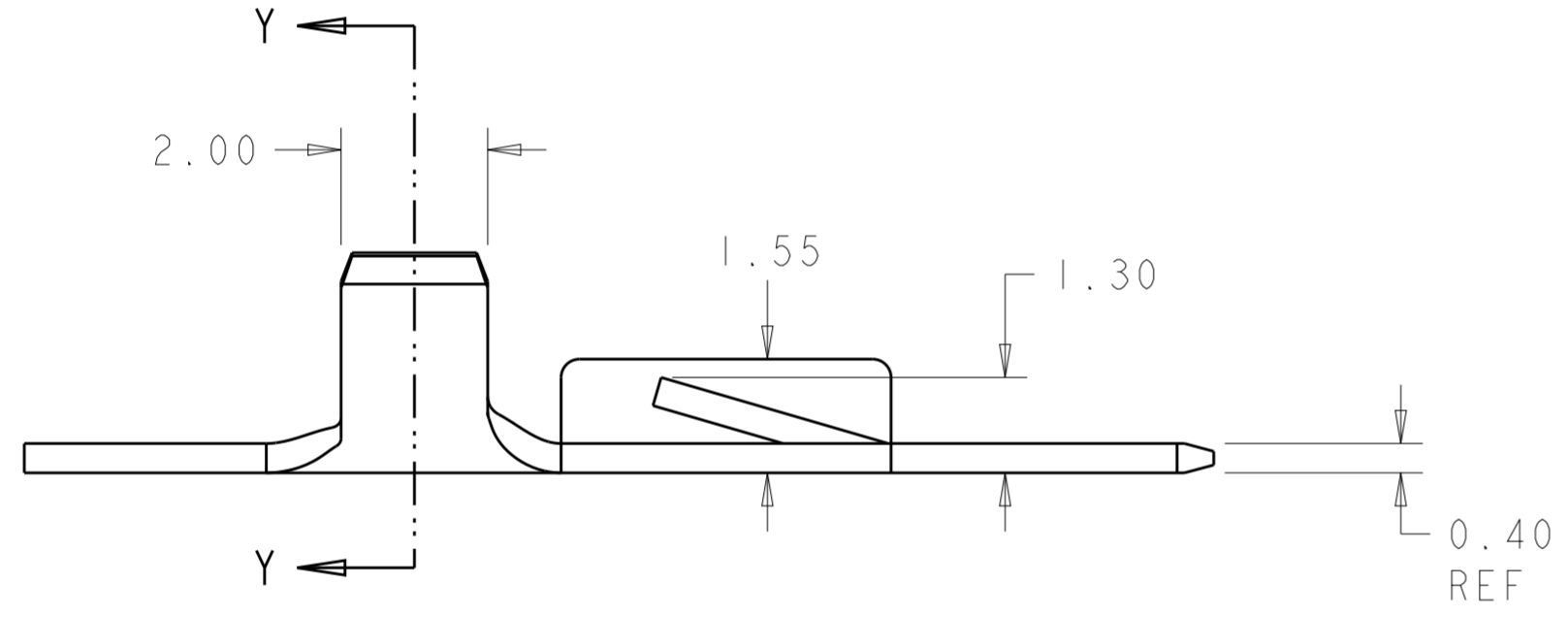
THIS DRAWING IS UNPUBLISHED. RELEASED FOR PUBLICATION 20  
 © COPYRIGHT 20 BY - ALL RIGHTS RESERVED.

REVISIONS					
P	LTR	DESCRIPTION	DATE	DWN	APVD
A1		REVISED PER ECR-09-010783	13MAY2009	HMR	DD
A2		REVISED PER ECR-16-006474	10MAY2016	RS	DD

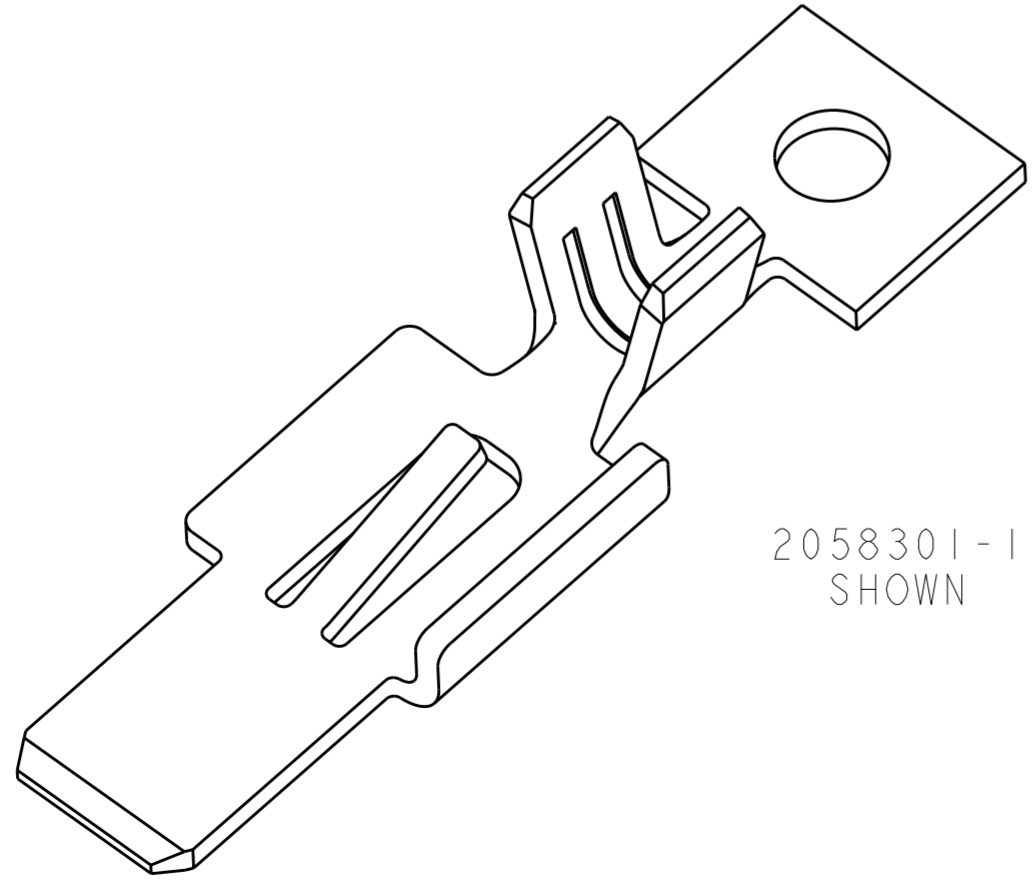


NOTES:

- 1. MATERIALS AND FINISH:  
- COPPER ALLOY, FINISH: TIN
- 2. MUST COMPLY WITH DIRECTIVE 2002/95/EC (ROHS)
- 3. THIS PRODUCT HAS NOT COMPLETED VALIDATION TESTING
- 4. WIRE RANGE : 18-22 AWG, STRANDED
- 5. MAX INSULATION DIA: 2.03
- 6. RECOMMENDED TE HOUSING P/N X-2058299-X



SECTION Y-Y  
SCALE 20:1



2058301-1  
SHOWN

LOOSE PIECE	2058301-2
ON STRIP	2058301-1
REMARKS	PART NO.

THIS DRAWING IS A CONTROLLED DOCUMENT.		DWN S FISHER 07MAY2008	TE Connectivity		
		CHK R NARANG 07MAY2008			
DIMENSIONS: mm		APVD -	NAME BLADE CONTACT WIRE TO BOARD CONNECTOR		
TOLERANCES UNLESS OTHERWISE SPECIFIED:		PRODUCT SPEC 108-2387	APPLICATION SPEC		
0 PLC ±		114-13252	SIZE A2	CAGE CODE 00779	DRAWING NO C-2058301
1 PLC ±0.2		WEIGHT -	RESTRICTED TO		
2 PLC ±0.13		CUSTOMER DRAWING	SCALE 10:1 SHEET 1 OF 1 REV A2		
3 PLC ±					
4 PLC ±					
ANGLES ±					
FINISH					

# Mouser Electronics

Authorized Distributor

Click to View Pricing, Inventory, Delivery & Lifecycle Information:

[TE Connectivity:](#)

[2058301-2](#)