

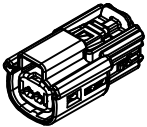
TABLE OF CONTENTS	
SHEET NO.	SHEET DESCRIPTION
1	NOTES AND BOM
2	CONFIGURATIONS
3-4	KEY CONFIGURATIONS
5	RECEPTACLE CONNECTOR ASSEMBLY
6	BACKSHELL NOTES
7	BACKSHELL
8	BACKSHELL CONFIGURATIONS

NOTES: VALID UNLESS OTHERWISE SPECIFIED

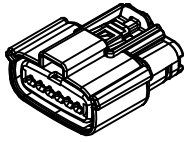
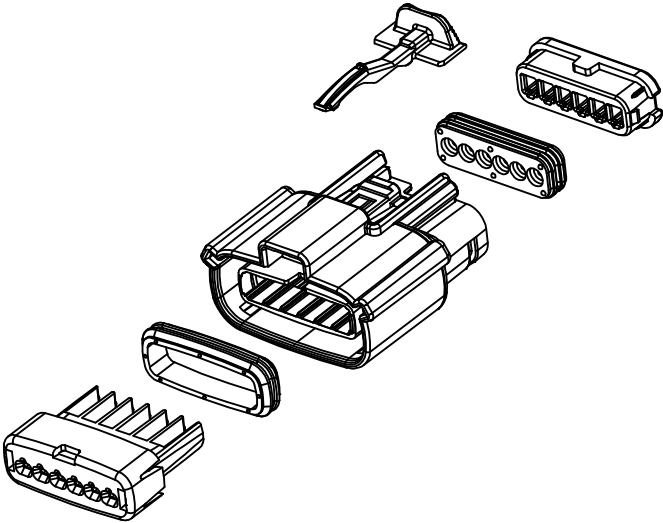
1. GENERAL:
- a. APPLICATION SPECIFICATION SEE: AS-33472-100  
 -CONTAINS: PRODUCT INTRODUCTION, PRODUCT SUMMARY, CONNECTOR ASSEMBLY, PACKAGING INFORMATION, CONNECTOR MATING, SERVICE INSTRUCTIONS, ELECTRICAL CONTINUITY CHECKING, CRIMPING, AND TROUBLESHOOTING.  
 -DESIGNED TO MATE WITH DEVICE OR CONNECTOR AS SPECIFIED IN THE MATING INTERFACE/CONNECTOR DRAWINGS CHART.  
 \*DENOTES DRAWINGS THAT CAN BE ACCESSED AT <http://ewcap.uscarteams.org/>.  
 -ASSEMBLY SHIPPED WITH PLR IN PRE-LOCK POSITION (SEE PLR PRE-LOCK VIEW SHEET 5).
- b. PRODUCT SPECIFICATION SEE:  
 -STANDARD CONFIGURATION: PS-33471-000  
 -UL V0 CONFIGURATION: PS-160105-0001  
 CONTAINS: PRODUCT INTRODUCTION, PRODUCT SUMMARY, RATINGS (CURRENT, TEMPERATURE, SEALING, AND FLAMMABILITY), TERMINALS, WIRE DIAMETER RANGE, PRODUCT VALIDATION, AND PRODUCT DEVIATIONS.
- c. PACKAGING SPECIFICATION PER MOLEX DRAWING; SEE PACKAGING CHART
- d. PARTS MUST BE IN COMPLIANCE TO MOLEX CHEMICAL SUBSTANCES FOR PRODUCTS AND PACKAGING SPECIFICATION: OEHS-699000-301
- e. DATA MUST BE SUBMITTED UNDER THE MOLEX PART NUMBER TO IMDS (COMPANY ID#13255)
2. DESIGN - MATERIALS:
- a. FOR BILL OF MATERIALS SEE:  
 -STANDARD CONFIGURATION SD-33471-0002  
 -UL V0 CONFIGURATION SD-160105-0002
3. DESIGN - GEOMETRY:
- a. THE 3-D CAD DATA IS BASIC (WITHOUT TOLERANCE) AND MASTER FOR THIS PART WITH THE EXCEPTION OF UNDERLINED DIMENSIONS. DIMENSIONAL INFORMATION NOT SHOWN ON THIS DRAWING IS DEFINED BY THE DATA FILE AT ITS LATEST REVISION.
- b. GEOMETRIC DIMENSIONS AND TOLERANCES PER ASME Y14.5M-2009
- c. EDGES AND UNDIMENSIONED DETAILS PER ISO13715
- d. CORNERS SHOWN AS SHARP TO BE R 0.2 MAX.
- e. LETTERING SHALL BE 0.15 MAX RAISED IN 0.25 MAX RECESS PAD. THIS INCLUDES RECYCLING CODE, CAVITY ID, VENDOR IDENTIFICATION, AND CUSTOMER MATERIAL NUMBER.
- f. VISUAL DEFECTS SHALL MEET COSMETIC STANDARD PS-45499-002 (Class B).
- g. LASER MARKING:  
 1. PART NUMBER  
 2. DAY OF THE YEAR  
 3. SHIFT  
 4. YEAR  
 FOR ADDITIONAL INFORMATION SEE SECTION 5 UNDER PROCEDURES IN ES-34735-008.

PACKAGING	
DESCRIPTION	DRAWING NO.
1X2	PK-31300-635
1X6	PK-31300-903

MATING INTERFACE/CONNECTOR DRAWINGS		
DESCRIPTION	INTERFACE DEFINITION	MOLEX INLINE
1X2	*150-S-002-1-Z05	SD-33481-0001
1X6	*150-S-006-1-Z03	SD-33481-0001



1x2

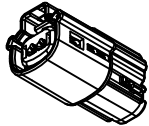


1x6

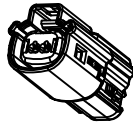
INSPECTION NUMBER LOG	2	UPDATE VIEWSETS
LAST NUMBER: 11	1	INITIAL RELEASE
ADDED: 11		
REMOVED:		
REV		REV DESCRIPTION

<b>ENTER DESCRIPTION</b> EEC NO: UA02016-1641 DRWN:BTANG 2016/05/10 CHKD: APPR:KDEKOSKI 2016/06/14 REV: A	QUALITY SYMBOLS ∇=0 ∇=0 ∇=0	GENERAL TOLERANCES (UNLESS SPECIFIED)		DIMENSION STYLE MM ONLY		DRAWN BY DATE APROFFITT 2015/11/04 CHECKED BY DATE APPROVED BY DATE KDEKOSKI 2016/06/14 MATERIAL NO. SEE NOTE 2a.	TITLE MX150 RCPT SINGLE ROW SEALED ASSY MAT SEAL <b>molex</b> DOCUMENT NO. SD-33471-0001	SCALE 1.5:1 DESIGN UNITS METRIC THIRD ANGLE PROJECTION	SHEET NO. 1 OF 8
		m	INCH	DRAFT WHERE APPLICABLE MUST REMAIN WITHIN DIMENSIONS					
		4 PLACES ± .001 ± .001	3 PLACES ± .001 ± .001	ANGULAR ± 1°					
		2 PLACES ± 0.10 ± .001	1 PLACE ± 0.2 ± .001	THIS DRAWING CONTAINS INFORMATION THAT IS PROPRIETARY TO MOLEX AND SHOULD NOT BE USED WITHOUT WRITTEN PERMISSION					

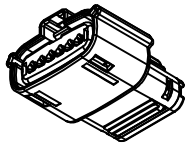
**SHEET DESCRIPTION**  
CONFIGURATIONS



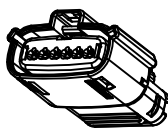
1x2 - STD



1x2 - UL V0\*



1x6 - STD



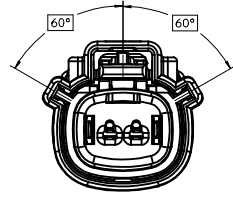
1x6 - UL V0\*

\*MINOR GEOMETRY DIFFERENCE THAN STANDARD CONFIGURATION  
SEE NOTES 1 & 2 FOR MORE INFORMATION

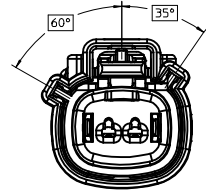
<b>ENTER DESCRIPTION</b> EC NO: UAU2016-1641 DRAWN BY: DRW:NBANG CHKD: APPR:KDEKOSKI DATE: 2016/06/14 REV: A	QUALITY SYMBOLS ▽=0 ▽=0 ▽=0	GENERAL TOLERANCES (UNLESS SPECIFIED) mm INCH 4 PLACES ± --- ± --- 3 PLACES ± --- ± --- 2 PLACES ± 0.10 ± --- 1 PLACE ± 0.2 ± --- 0 PLACE ± --- ± --- ANGULAR ± 1 ° DRAFT WHERE APPLICABLE MUST REMAIN WITHIN DIMENSIONS	DIMENSION STYLE <b>MM ONLY</b> DRAWN BY: APROFFITT DATE: 2015/11/04 CHECKED BY: DATE: APPROVED BY: KDEKOSKI DATE: 2016/06/14 MATERIAL NO.	SCALE: <b>1.5:1</b> DESIGN UNITS: <b>METRIC</b> THIRD ANGLE PROJECTION	TITLE: <b>MX150 RCPT SINGLE ROW SEALED ASSY MAT SEAL</b> <b>molex</b> DOCUMENT NO. SD-33471-0001	SHEET NO. 2 OF 8
	SEE NOTE 2a.			THIS DRAWING CONTAINS INFORMATION THAT IS PROPRIETARY TO MOLEX INCORPORATED AND SHOULD NOT BE USED WITHOUT WRITTEN PERMISSION		
	SEE NOTE 2a.			THIS DRAWING CONTAINS INFORMATION THAT IS PROPRIETARY TO MOLEX INCORPORATED AND SHOULD NOT BE USED WITHOUT WRITTEN PERMISSION		
	SEE NOTE 2a.			THIS DRAWING CONTAINS INFORMATION THAT IS PROPRIETARY TO MOLEX INCORPORATED AND SHOULD NOT BE USED WITHOUT WRITTEN PERMISSION		

**SHEET DESCRIPTION**  
KEY CONFIGURATIONS

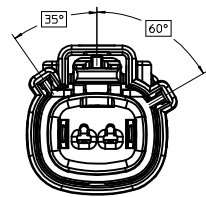
1X2



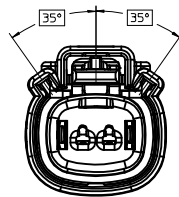
KEY A



KEY B



KEY C

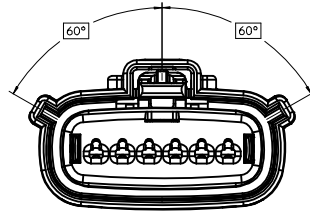


KEY D

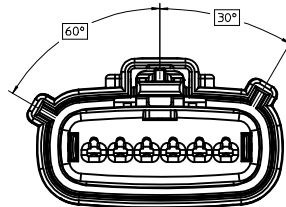
<b>ENTER DESCRIPTION</b> EEC NO: UAU2016-1641 DRWN:BTANG 2016/05/10 CHKD: APPR:KDEKOSKI 2016/06/14	QUALITY SYMBOLS ▽=0 ▽=0 ▽=0	GENERAL TOLERANCES (UNLESS SPECIFIED)		DIMENSION STYLE <b>MM ONLY</b>		SCALE <b>3:1</b>	DESIGN UNITS <b>METRIC</b>	THIRD ANGLE PROJECTION	
		4 PLACES ± --- ± ---	mm	INCH	DRAWN BY APPROFIT	DATE 2015/11/04	TITLE <b>MX150 RCPT SINGLE ROW SEALED ASSY MAT SEAL</b>		
		3 PLACES ± --- ± ---			CHECKED BY	DATE			
		2 PLACES ± 0.10 ± ---			APPROVED BY KDEKOSKI	DATE 2016/06/14			
1 PLACE ± 0.2 ± ---			ANGULAR ± 1 °		MATERIAL NO.	DOCUMENT NO.		SHEET NO.	
0 PLACE ± --- ± ---	DRAFT WHERE APPLICABLE MUST REMAIN WITHIN DIMENSIONS		SEE NOTE 2a.		SD-33471-0001		3 OF 8		
				SIZE 1 THIS DRAWING CONTAINS INFORMATION THAT IS PROPRIETARY TO MOLEX INCORPORATED AND SHOULD NOT BE USED WITHOUT WRITTEN PERMISSION					

**SHEET DESCRIPTION**  
KEY CONFIGURATIONS CONT.

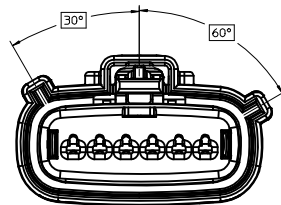
1X6



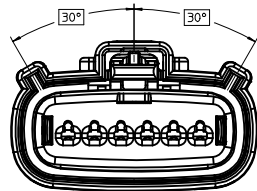
KEY A



KEY B



KEY C



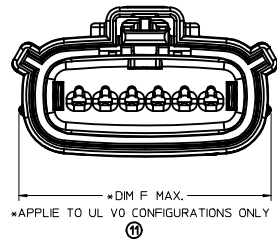
KEY D

<b>ENTER DESCRIPTION</b> EC NO: UAU2016-1641 DWN:ABTANG 2016/05/10 CHKD: APPR:KDEKOSKI 2016/06/14	QUALITY SYMBOLS ▽=0 ▽=0 ▽=0	GENERAL TOLERANCES (UNLESS SPECIFIED)		DIMENSION STYLE <b>MM ONLY</b>		SCALE <b>3:1</b>	DESIGN UNITS <b>METRIC</b>	THIRD ANGLE PROJECTION
		4 PLACES ± --- ± --- 3 PLACES ± --- ± --- 2 PLACES ± 0.10 ± --- 1 PLACE ± 0.2 ± --- 0 PLACE ± --- ± ---	mm INCH ± --- ± --- ± 0.10 ± --- ± 0.2 ± --- ± --- ± ---	DRAWN BY APPROFFITT 2015/11/04	DATE 2015/11/04	TITLE <b>MX150 RCPT SINGLE ROW SEALED ASSY MAT SEAL</b>		DOCUMENT NO. <b>SD-33471-0001</b>
ANGLULAR ± 1 ° DRAFT WHERE APPLICABLE MUST REMAIN WITHIN DIMENSIONS		APPROVED BY KDEKOSKI 2016/06/14		MATERIAL NO. <b>SEE NOTE 2a.</b>		THIS DRAWING CONTAINS INFORMATION THAT IS PROPRIETARY TO MOLEX INCORPORATED AND SHOULD NOT BE USED WITHOUT WRITTEN PERMISSION		

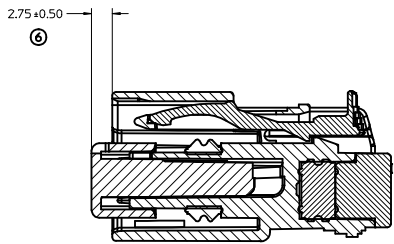
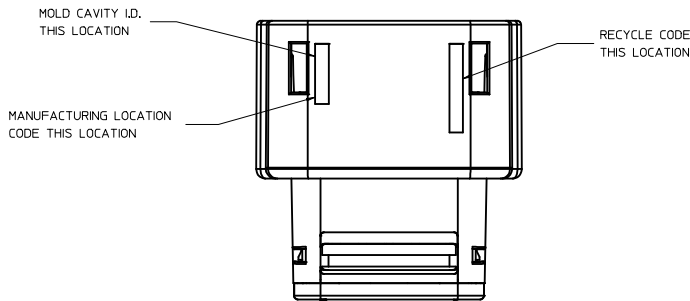
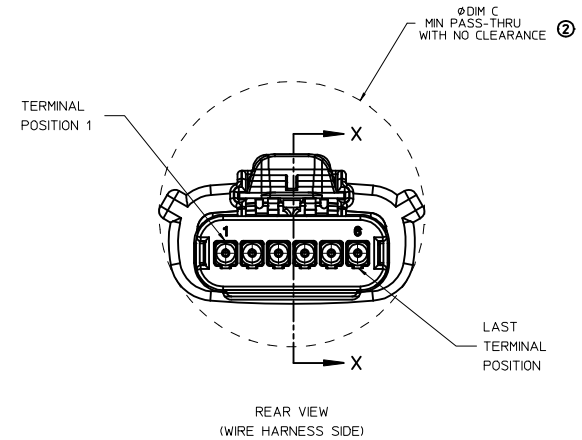
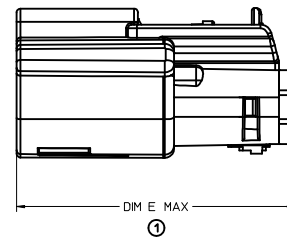
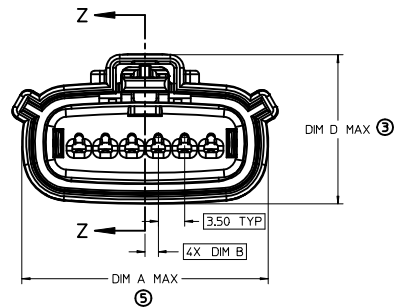
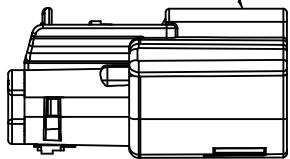
**SHEET DESCRIPTION**

RECEPTACLE CONNECTOR ASSEMBLY - STD

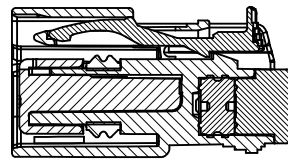
CHARTED DIMENSIONS						
DESCRIPTION	DIMENSIONS					
	A	B	C	D	E	F
1X2	19.40	1.75	21.73	20.55	37.65	19.64
1X6	32.75	1.75	35.21	19.90	37.65	N/A
1X6 UL V0	N/A	1.75	35.23	19.90	37.65	33.64



LASER MARKING ON THIS SURFACE  
SEE NOTE 3g.



PRIMARY LOCK REINFORCEMENT (PLR) SHOWN  
IN PRE-STAGED POSITION  
**SECTION Z-Z**



PRIMARY LOCK REINFORCEMENT (PLR) SHOWN  
IN FINAL-LOCK POSITION  
**SECTION X-X**

<b>ENTER DESCRIPTION</b> IEC NO: UAU2016-1641 DRAWN BY: DRWINBATANG CHKD: CHYKJ APPR: KDEKOSKI DATE: 2016/05/10 2016/06/14	<b>QUALITY SYMBOLS</b> ∇=0 ∇=1 ∇=2 ∇=3	<b>GENERAL TOLERANCES (UNLESS SPECIFIED)</b>		<b>DIMENSION STYLE</b> MM ONLY		SCALE 3:1	DESIGN UNITS METRIC	THIRD ANGLE PROJECTION		
		4 PLACES ± --- ± ---	3 PLACES ± --- ± ---	2 PLACES ± 0.10 ± ---	1 PLACE ± 0.2 ± ---	0 PLACE ± --- ± ---	DRAWN BY: APROFFITT DATE: 2015/11/04	TITLE MX150 RCPT SINGLE ROW SEALED ASSY MAT SEAL		
		ANGULAR ± 1 °		DRAFT WHERE APPLICABLE MUST REMAIN WITHIN DIMENSIONS		MATERIAL NO. SEE NOTE 2a.		DOCUMENT NO. SD-33471-0001		
		SHEET NO. 5 OF 8		THIS DRAWING CONTAINS INFORMATION THAT IS PROPRIETARY TO MOLEX INCORPORATED AND SHOULD NOT BE USED WITHOUT WRITTEN PERMISSION						

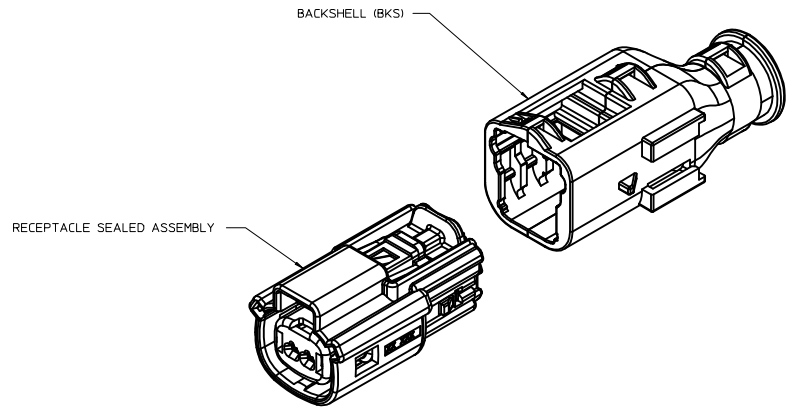
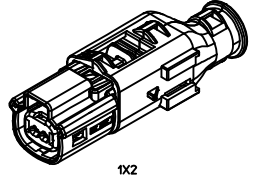
**SHEET DESCRIPTION**  
BACKSHELL NOTES

BACKSHELL NOTES: VALID UNLESS OTHERWISE SPECIFIED

1. GENERAL:  
 a. APPLICATION SPECIFICATION SEE: AS-34951-001  
 -DESIGNED TO MATE WITH RECEPTACLE SEALED ASSEMBLY SPECIFIED IN MOLEX DRAWING SD-33471-0001.  
 -SYSTEM TO BE USED WITH WIRE WITHIN DIAMETER RANGE OF 1.2mm TO 2.69mm.  
 -COMPONENTS ARE OPTIONAL AND MUST BE PURCHASED SEPERATELY.  
 -BACKSHELL DESIGN IS OWNED BY SCHLEMMER.  
 -FOR ADDITIONAL INFORMATION SEE THE BACKSHELL COMPONENT DRAWING SD-34949-0001.

BACKSHELL CUSTOMER MODEL NUMBER LEGEND

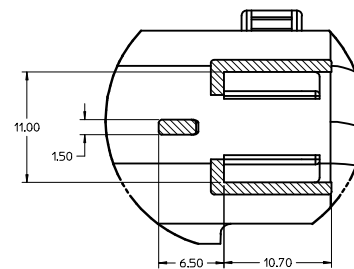
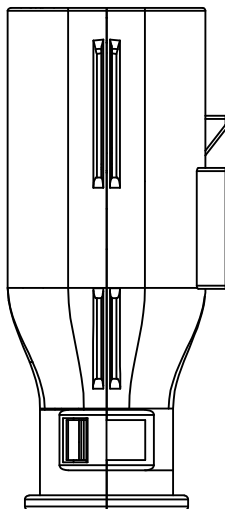
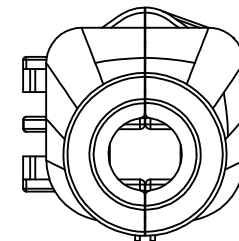
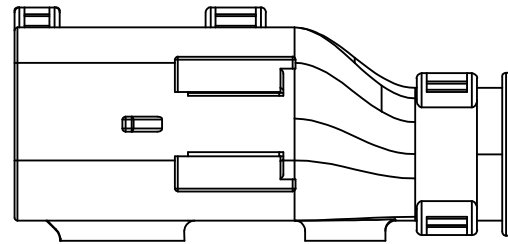
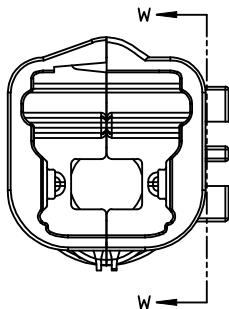
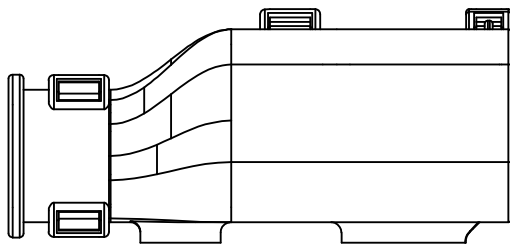
- 34949-XXXX
- CUSTOMER MODEL COMPONENTS
    - 0 - BACKSHELL ONLY
    - 1 - BACKSHELL & MX150 HOUSING KEY A ASSEMBLY
    - 2 - BACKSHELL & MX150 HOUSING KEY B ASSEMBLY
    - 3 - BACKSHELL & MX150 HOUSING KEY C ASSEMBLY
    - 4 - BACKSHELL & MX150 HOUSING KEY D ASSEMBLY
  - BACKSHELL FEATURES
    - 1 - WITH RIBS
    - 2 - WITHOUT RIBS
  - MX150 CIRCUIT SIZE 02, 03, 04, 05, 06



ENTER DESCRIPTION EC NO: UAUZ016-1641 DRWNR:BIANG 2016/05/10 CHKD: APPR:KDEKOSKI 2016/06/14 A	QUALITY SYMBOLS	GENERAL TOLERANCES (UNLESS SPECIFIED)	DIMENSION STYLE	SCALE	DESIGN UNITS	THIRD ANGLE PROJECTION
	∇=0 ∇=0 ∇=0	mm INCH 4 PLACES ± --- ± --- 3 PLACES ± --- ± --- 2 PLACES ± 0.10 ± --- 1 PLACE ± 0.2 ± --- 0 PLACE ± --- ± ---	MM ONLY DRAWN BY DATE APPROFF:TT 2015/11/04 CHECKED BY DATE APPROVED BY DATE KDEKOSKI 2016/06/14	4:1	METRIC	MX150 RCPT SINGLE ROW SEALED ASSY MAT SEAL <b>molex</b> SD-33471-0001
		ANGULAR ± 1 ° DRAFT WHERE APPLICABLE MUST REMAIN WITHIN DIMENSIONS	SEE NOTE 2a. MATERIAL NO.	DOCUMENT NO. SD-33471-0001	SHEET NO. 6 OF 8	
		THIS DRAWING CONTAINS INFORMATION THAT IS PROPRIETARY TO MOLEX INCORPORATED AND SHOULD NOT BE USED WITHOUT WRITTEN PERMISSION				

**SHEET DESCRIPTION**

BACKSHELL

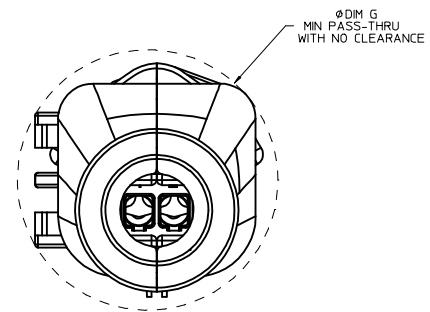
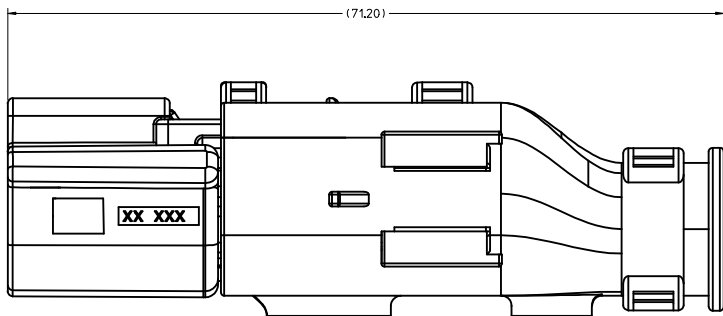


Partial W-W  
SCALE 4:1

<b>ENTER DESCRIPTION</b> EC NO: UA02016-1641 DRWNBRTANG 2016/05/10 CHKD: APPR:KDEKOSKI 2016/06/14	QUALITY SYMBOLS ∇=0 ∇=1 ∇=2 ∇=3	GENERAL TOLERANCES (UNLESS SPECIFIED) mm INCH 4 PLACES ± --- ± --- 3 PLACES ± --- ± --- 2 PLACES ± 0.10 ± --- 1 PLACE ± 0.2 ± --- 0 PLACE ± --- ± --- ANGULAR ± 1° DRAFT WHERE APPLICABLE MUST REMAIN WITHIN DIMENSIONS	DIMENSION STYLE <b>MM ONLY</b> DRAWN BY DATE APPROFFITT 2015/11/04 CHECKED BY DATE APPROVED BY DATE KDEKOSKI 2016/06/14 MATERIAL NO. <b>SEE NOTE 2a.</b>	SCALE <b>4:1</b> DESIGN UNITS <b>METRIC</b> THIRD ANGLE PROJECTION	TITLE <b>MX150 RCPT                  SINGLE ROW SEALED ASSY                  MAT SEAL</b> <b>molex</b> DOCUMENT NO. <b>SD-33471-0001</b>	SHEET NO. <b>7 OF 8</b>
	REV A			SIZE A1	THIS DRAWING CONTAINS INFORMATION THAT IS PROPRIETARY TO MOLEX INCORPORATED AND SHOULD NOT BE USED WITHOUT WRITTEN PERMISSION	

**SHEET DESCRIPTION**  
BACKSHELL CONFIGURATIONS

CHARTED DIMENSIONS	
DESCRIPTION	DIMENSIONS
1X2	G
	26.00

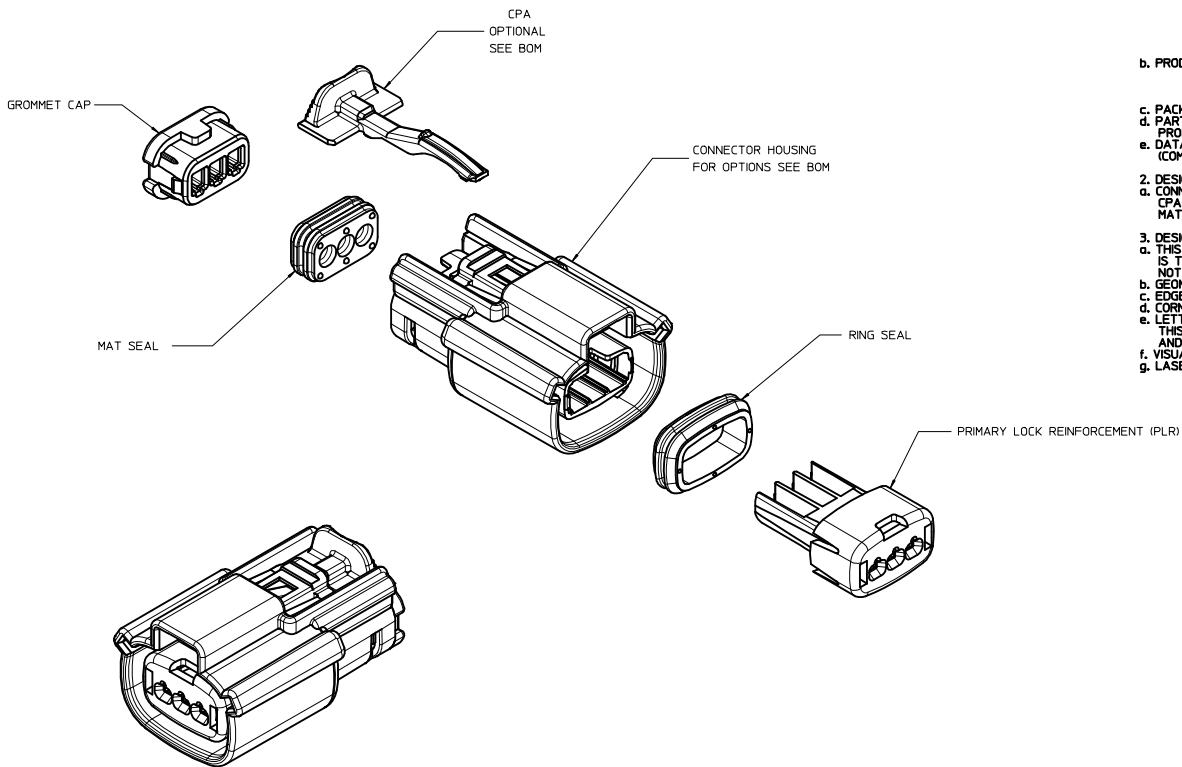


RECEPTACLE SEALED ASSEMBLY WITH RECEPTACLE BACKSHELL

<b>ENTER DESCRIPTION</b> EC NO: UAU2016-1641 DRWN: BTANG 2016/05/10 CHKD: A APPR: KDEKOSKI 2016/06/14	QUALITY SYMBOLS ∇=0 ∇=0 ∇=0 ∇=0	GENERAL TOLERANCES (UNLESS SPECIFIED)		DIMENSION STYLE <b>MM ONLY</b>		SCALE <b>4:1</b>	DESIGN UNITS <b>METRIC</b>	THIRD ANGLE PROJECTION
		4 PLACES ± --- ± --- 3 PLACES ± --- ± --- 2 PLACES ± 0.10 ± --- 1 PLACE ± 0.2 ± --- 0 PLACE ± --- ± ---	mm INCH	DRAWN BY APPROFFITT DATE 2015/11/04	CHECKED BY DATE	TITLE <b>MX150 RCPT                  SINGLE ROW SEALED ASSY                  MAT SEAL</b>		
		ANGULAR ± 1 °		APPROVED BY KDEKOSKI DATE 2016/06/14	MATERIAL NO. <b>SEE NOTE 2a.</b>		DOCUMENT NO. <b>SD-33471-0001</b>	SHEET NO. 8 OF 8
		DRAFT WHERE APPLICABLE MUST REMAIN WITHIN DIMENSIONS		THIS DRAWING CONTAINS INFORMATION THAT IS PROPRIETARY TO MOLEX INCORPORATED AND SHOULD NOT BE USED WITHOUT WRITTEN PERMISSION				



TABLE OF CONTENTS	
SHEET NO.	SHEET DESCRIPTION
1	NOTES
2	KEY CONFIGURATIONS
3	RECEPTACLE SEALED ASSEMBLY
4	BACKSHELL NOTES
5	BACKSHELL
6	BACKSHELL CONFIGURATION
7	BOM



NOTES: VALID UNLESS OTHERWISE SPECIFIED

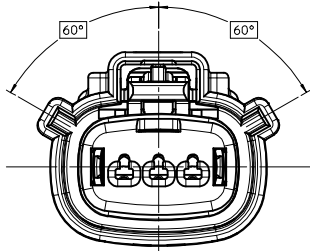
1. GENERAL:
  - a. APPLICATION SPECIFICATION SEE: AS-33472-100  
 -CONTAINS: PRODUCT INTRODUCTION, PRODUCT SUMMARY, CONNECTOR ASSEMBLY, PACKAGING INFORMATION, CONNECTOR MATING, SERVICE INSTRUCTIONS, ELECTRICAL CONTINUITY CHECKING, CRIMPING, AND TROUBLESHOOTING.  
 -DESIGNED TO MATE WITH DEVICE CONNECTION AS SPECIFIED IN DRAWING EWCAP 150-S-003-1-205, AVAILABLE AT <a href="http://ewcap.uscarteams.org/">http://ewcap.uscarteams.org/ -  
 -DESIGNED TO MATE WITH BLADE SEALED ASSEMBLY AS SPECIFIED IN DRAWING SD-33481-031  
 -FOR 15mm RECEPTACLE TERMINALS TO BE USED WITH THIS ASSEMBLY. SEE MOLEX DRAWING SD-33042-002.  
 -SYSTEM TO BE USED WITH WIRE WITHIN DIAMETER RANGE OF 1.2 mm TO 2.69 mm.  
 -ASSEMBLY SHIPPED WITH PLR AND CPA IN PRE-LOCK POSITION (SEE SECTION Z-Z PRE-LOCK).  
 -IN THE EVENT THAT THE PLR IS FOUND IN THE SEATED (FINAL LOCK) POSITION, REFER TO MOLEX SPECIFICATION PS-34646-001, AVAILABLE AT [www.molex.com](http://www.molex.com) -<http://www.molex.com>.  
 -ASSEMBLY CONFORMS TO SAE/USCAR-2 REV.4 WITH THE FOLLOWING EXCEPTIONS:  
 ENGAGEMENT FORCE TO MOVE CPA FROM PRE-LOCK TO FINAL LOCK POSITION WHEN UNMATED: 40N MIN.  
 DISENGAGEMENT FORCE TO MOVE CPA FROM FINAL LOCK TO PRE-LOCK POSITION: 3N MIN, 40N MAX  
 TERMINAL INSERTION FORCE FOR WIRE DIAMETER ABOVE 2.5mm NOT EXCEEDING 2.69mm SHALL NOT EXCEED 40 NEWTONS.
  - b. PRODUCT SPECIFICATION SEE: PS-33471-000  
 -CONTAINS: PRODUCT INTRODUCTION, PRODUCT SUMMARY, RATINGS (CURRENT, TEMPERATURE, SEALING, AND FLAMMABILITY), AND PRODUCT VALIDATION.
  - c. PACKAGING SPECIFICATION PER MOLEX DRAWING: PK-31300-635
  - d. PARTS MUST BE IN COMPLIANCE TO MOLEX CHEMICAL SUBSTANCES FOR PRODUCTS AND PACKAGING SPECIFICATION: ES-40000-5046
  - e. DATA MUST BE SUBMITTED UNDER THE MOLEX PART NUMBER TO IMDS (COMPANY ID#13255)
2. DESIGN - MATERIALS:
  - a. CONNECTOR HOUSING, GROMMET CAP, PLR: SPS/NYLON BLEND 20% GLASS FILLED
  - CPA: PBT 20% GLASS FILLED
  - MAT SEAL, RING SEAL: INHERENTLY LUBRICATED SILICONE
3. DESIGN - GEOMETRY:
  - a. THIS IS A 100% CAD GENERATED PART. THE CAD MATHEMATICAL DATA IS THE MASTER FOR THIS PART. FOR DIMENSIONAL OR ANY INFORMATION NOT SHOWN ON THIS DRAWING, ANALYZE THE CAD MODEL.
  - b. GEOMETRIC DIMENSIONS AND TOLERANCES PER ASME Y14.5M - 1994
  - c. EDGES AND UNDIMENSIONED DETAILS PER ISO13715
  - d. CORNERS SHOWN AS SHARP TO BE R 0.2 MAX.
  - e. LETTERING SHALL BE 0.15 MAX RAISED IN 0.25 MAX RECESS PAD. THIS INCLUDES RECYCLING CODE, CAVITY ID, VENDOR IDENTIFICATION, AND CUSTOMER MATERIAL NUMBER.
  - f. VISUAL DEFECTS SHALL MEET COSMETIC STANDARD PS-45499-002 (Class B)
  - g. LASER MARKING: TBD

INSPECTION NUMBER LOG  
 LAST NUMBER USED: 5  
 ADDED:  
 REMOVED:

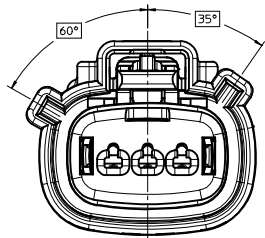
Q7	ADD NEW P/NS 33471-33XX
Q6	UPDATED VIEWS
Q5	ADD BACKSHELL CONFIGURATION
Q4	ADD NEW P/N 33471-0347
Q3	334710345 IS SAME AS 334710340 SQ VOID 334710345
Q2	CHANGE THE STATUS TO SALEABLE
Q1	UPDATED NOTES
Q	REDRAWN
REV	DESCRIPTION

ENTER DESCRIPTION IEC NO: UAU2018-0229 DRWN: SONGS 2017/09/22 CHD: HWANSLANBROU2017/09/22 APPR: HWANSLANBROU2017/09/26 Q7 REV	QUALITY SYMBOLS ∇=0 ∇=0 ∇=0	GENERAL TOLERANCES (UNLESS SPECIFIED) mm INCH 4 PLACES ± .005 ± .0005 3 PLACES ± .002 ± .0002 2 PLACES ± 0.1 ± .005 1 PLACE ± 0.30 ± .01 0 PLACE ± ±	DIMENSION STYLE MM ONLY DRAWN BY: DMARCOUX DATE: 06/18/2002 CHECKED BY: DGRIFITHS DATE: 6/18/2002 APPROVED BY: FHOLUB DATE: 06/18/2002	SCALE: 3:1 DESIGN UNITS: METRIC THIRD ANGLE PROJECTION	TITLE: MX150 1X3 RECEPTACLE SEALED ASSEMBLY MAT SEAL molex	MATERIAL NO: SEE BOM DOCUMENT NO: SD-33471-031	SHEET NO: 1 OF 7
	DRAFT WHERE APPLICABLE MUST REMAIN WITHIN DIMENSIONS						
	THIS DRAWING CONTAINS INFORMATION THAT IS PROPRIETARY TO MOLEX INCORPORATED AND SHOULD NOT BE USED WITHOUT WRITTEN PERMISSION						
	INSPECTION NUMBER LOG						

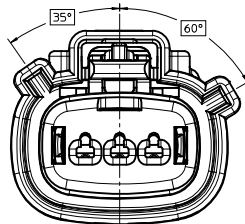
KEY CONFIGURATIONS



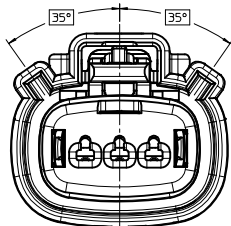
KEY A



KEY B



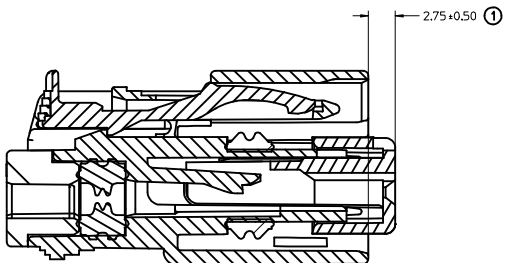
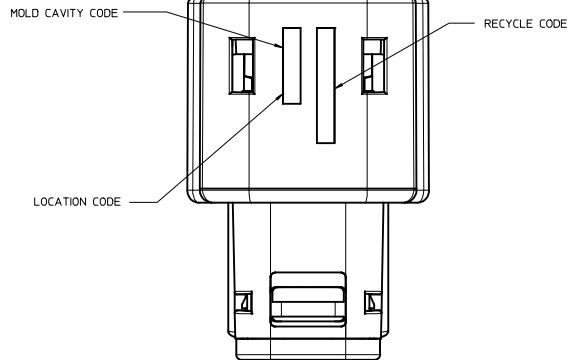
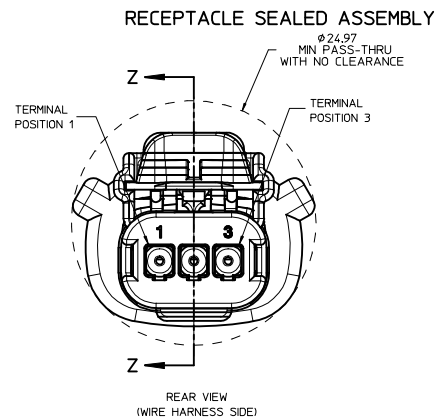
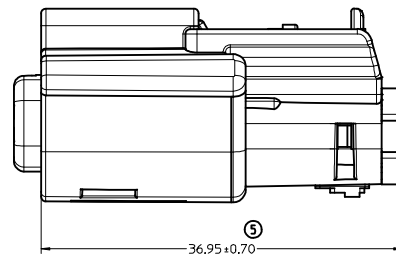
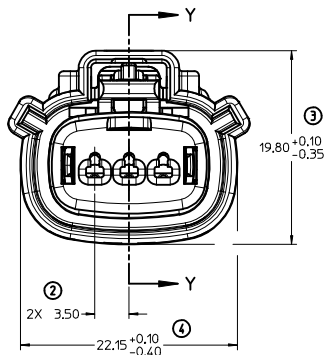
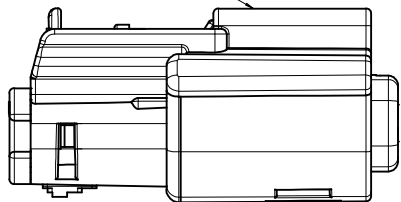
KEY C



KEY D

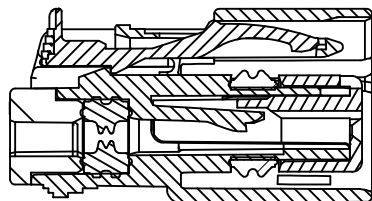
<b>ENTER DESCRIPTION</b> IEC NO. UAU2018-0229 DRAWN: SONG05 2017/09/22 CHECKED: VANSI, ANBROU 2017/09/22 APPR: VANSI, ANBROU 2017/09/26 Q7 REVISIONS DESCRIPTION	QUALITY SYMBOLS	GENERAL TOLERANCES (UNLESS SPECIFIED)	DIMENSION STYLE	SCALE	DESIGN UNITS	THIRD ANGLE PROJECTION
	▽=0	mm INCH	MM ONLY	4:1	METRIC	
	▽=0	4 PLACES ± --- ± ---	DRAWN BY DATE			TITLE
	▽=0	3 PLACES ± 0.1 ± ---	DMARCOUX 06/18/2002			MX150 1X3 RECEPTACLE SEALED ASSEMBLY MAT SEAL
▽=0	2 PLACES ± 0.30 ± ---	CHECKED BY DATE				
	1 PLACE ± ±	DGRIFFI THS 6/18/2002				
	0 PLACE ± ±	APPROVED BY DATE				
		FHOLUB 06/18/2002				
		ANGULAR ± 3 °	MATERIAL NO.		DOCUMENT NO.	SHEET NO.
		DRAFT WHERE APPLICABLE MUST REMAIN WITHIN DIMENSIONS	SEE BOM		SD-33471-031	2 OF 7
			SIZE D	THIS DRAWING CONTAINS INFORMATION THAT IS PROPRIETARY TO MOLEX INCORPORATED AND SHOULD NOT BE USED WITHOUT WRITTEN PERMISSION		

LASER MARKING ON THIS SURFACE  
SEE NOTE 3g.



PRIMARY LOCK REINFORCEMENT (PLR) SHOWN  
IN PRE-STAGED POSITION

SECTION Z-Z



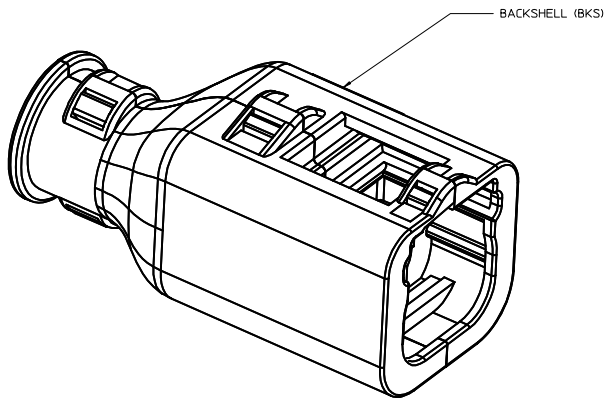
PRIMARY LOCK REINFORCEMENT (PLR) SHOWN  
IN FINAL LOCK POSITION

SECTION Y-Y

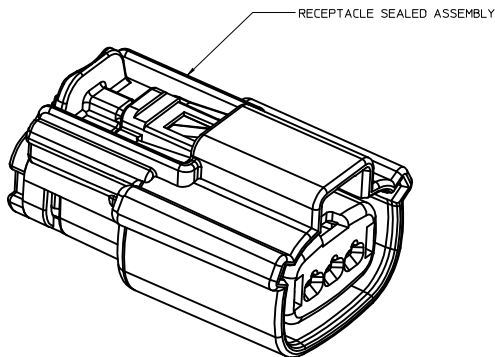
<b>ENTER DESCRIPTION</b> IEC NO. UAU2018-0229 DRAWN BY 2017/09/22 CHYKCHANSI, ANBRU/2017/09/22 APPR: MYANSI, ANBRU/2017/09/26 REV: Q7	QUALITY SYMBOLS	GENERAL TOLERANCES (UNLESS SPECIFIED)	DIMENSION STYLE	SCALE	DESIGN UNITS	THIRD ANGLE PROJECTION	
	∇=0 ∇=0 ∇=0	mm INCH 4 PLACES ± --- ± --- 3 PLACES ± --- ± --- 2 PLACES ± 0.1 ± --- 1 PLACE ± 0.30 ± --- 0 PLACE ± ±	MM ONLY	4:1	METRIC	DRAWN BY DATE DMARCOUX 06/18/2002 CHECKED BY DATE DGRIFITHS 6/18/2002 APPROVED BY DATE FHOLUB 06/18/2002	TITLE MX150 1X3 RECEPTACLE SEALED ASSEMBLY MAT SEAL
	ANGULAR ± 3 ° DRAFT WHERE APPLICABLE MUST REMAIN WITHIN DIMENSIONS	MATERIAL NO.	DOCUMENT NO.	SHEET NO.			
	SEE BOM	SD-33471-031	3 OF 7				

THIS DRAWING CONTAINS INFORMATION THAT IS PROPRIETARY TO MOLEX  
INCORPORATED AND SHOULD NOT BE USED WITHOUT WRITTEN PERMISSION

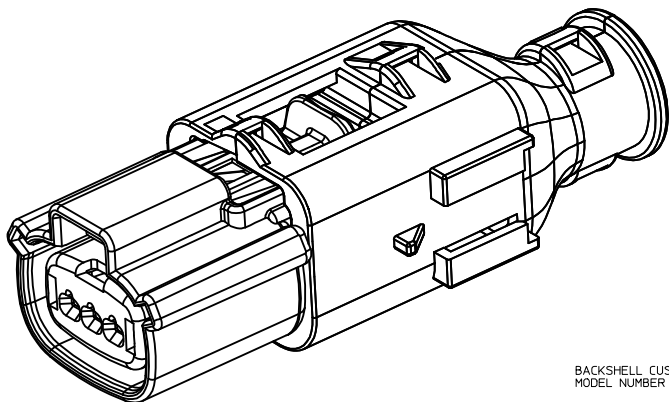
BACKSHELL NOTES



BACKSHELL (BKS)



RECEPTACLE SEALED ASSEMBLY



BACKSHELL CUSTOMER MODEL NUMBER LEGEND

34949-XXXX

- CUSTOMER MODEL COMPONENTS
- 0 - BACKSHELL ONLY
  - 1 - BACKSHELL & MX150 HOUSING KEY A ASSEMBLY
  - 2 - BACKSHELL & MX150 HOUSING KEY B ASSEMBLY
  - 3 - BACKSHELL & MX150 HOUSING KEY C ASSEMBLY
  - 4 - BACKSHELL & MX150 HOUSING KEY D ASSEMBLY
- BACKSHELL FEATURES
- 1 - WITH RIBS
  - 2 - WITHOUT RIBS
- MX150 CIRCUIT SIZE 02, 03, 04, 05, 06

BACKSHELL NOTES: VALID UNLESS OTHERWISE SPECIFIED

1. GENERAL:

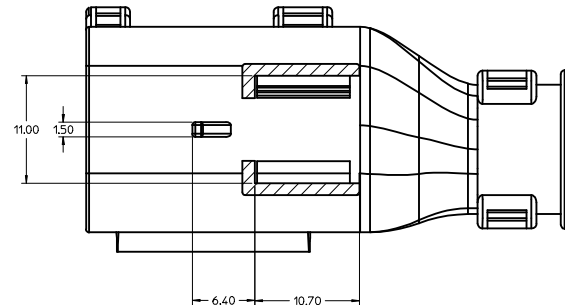
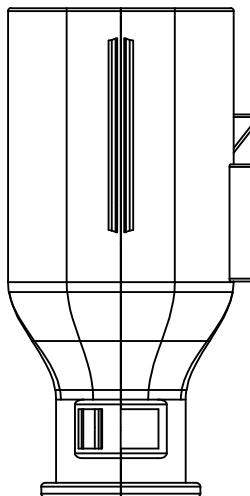
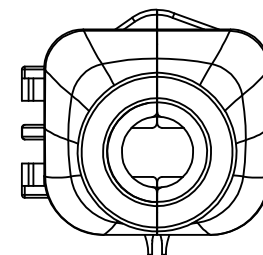
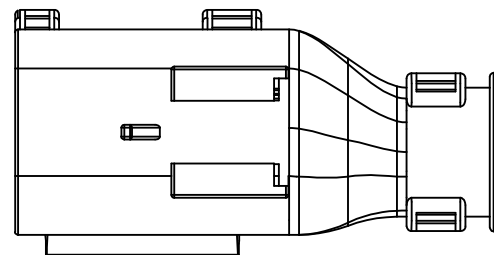
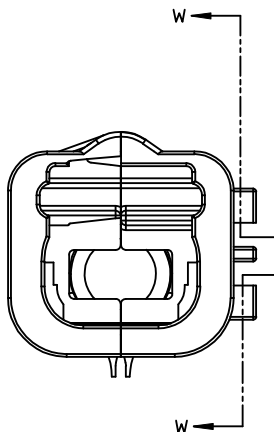
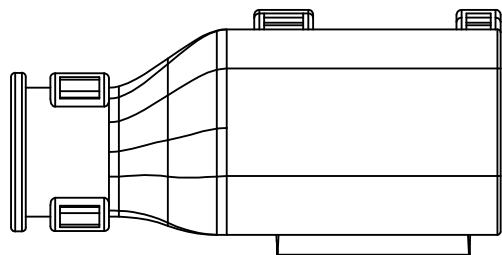
a. APPLICATION SPECIFICATION SEE: AS-34951-001

- DESIGNED TO MATE WITH RECEPTACLE SEALED ASSEMBLY SPECIFIED IN MOLEX DRAWING SD-33471-031.
- SYSTEM TO BE USED WITH WIRE WITH DIAMETER RANGE OF 1.2mm TO 2.69mm.
- COMPONENTS ARE OPTIONAL AND MUST BE PURCHASED SEPARATELY.
- BACKSHELL DESIGN IS OWNED BY SCHLEMMER.
- FOR ADDITIONAL INFORMATION SEE THE BACKSHELL COMPONENT DRAWING SD-34949-0001.

<b>ENTER DESCRIPTION</b> IEC NO. UAU2018-0229 DRAWN BY 2017/09/22 CHYKHWANSI,ANBRU/2017/09/22 APPR:MYANSI,ANBRU/2017/09/26	<b>QUALITY SYMBOLS</b> ∇=0 ∇=0 ∇=0	<b>GENERAL TOLERANCES (UNLESS SPECIFIED)</b>		<b>DIMENSION STYLE</b> MM ONLY	SCALE 4:1	DESIGN UNITS METRIC	THIRD ANGLE PROJECTION
		4 PLACES ± mm INCH 3 PLACES ± --- ± --- 2 PLACES ± 0.1 ± --- 1 PLACE ± 0.30 ± --- 0 PLACE ± ±	DRAWN BY DATE DMARCOUX 06/18/2002 CHECKED BY DATE DGRIFITHS 6/18/2002 APPROVED BY DATE FHOLUB 06/18/2002	MATERIAL NO. SEE BOM		DOCUMENT NO. SD-33471-031	SHEET NO. 4 OF 7
DRAFT WHERE APPLICABLE MUST REMAIN WITHIN DIMENSIONS		TITLE MX150 1X3 RECEPTACLE SEALED ASSEMBLY MAT SEAL <b>molex</b>					

20 19 18 17 16 15 14 13 12 11 10 9 8 7 6 5 4 3 2 1

BACKSHELL  
THE VIEWS ON THIS SHEET ARE  
IN THE CLOSED UN-ASSEMBLED POSITION



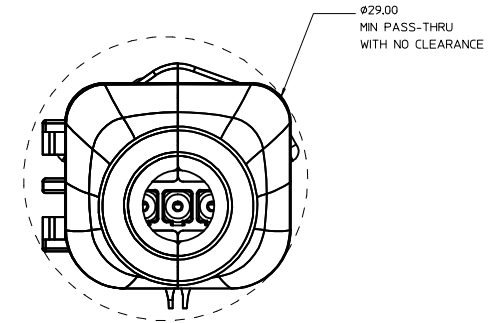
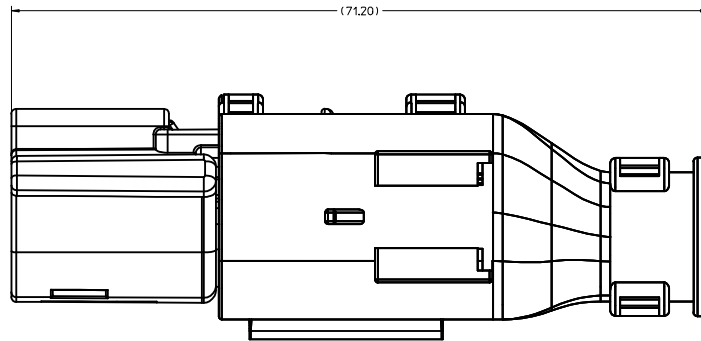
SECTION W-W

<b>ENTER DESCRIPTION</b> IEC NO. UAU2018-0229 DRAWN: SONGS 2017/09/22 CHECKED: WANSI, ANBROU 2017/09/22 APPR: WANSI, ANBROU 2017/09/26	<b>QUALITY SYMBOLS</b> ∇=0 ∇=0 ∇=0	<b>GENERAL TOLERANCES (UNLESS SPECIFIED)</b>		<b>DIMENSION STYLE</b> MM ONLY	SCALE 4:1	DESIGN UNITS METRIC	THIRD ANGLE PROJECTION		
		4 PLACES ± 0.1 3 PLACES ± 0.1 2 PLACES ± 0.1 1 PLACE ± 0.30 0 PLACE ±	mm INCH	DRAWN BY DMARCOUX	DATE 06/18/2002	TITLE MX150 1X3 RECEPTACLE SEALED ASSEMBLY MAT SEAL			
		ANGULAR ± 3 °		CHECKED BY DGRIFITHS	DATE 6/18/2002	MATERIAL NO. SEE BOM			
		DRAFT WHERE APPLICABLE MUST REMAIN WITHIN DIMENSIONS		APPROVED BY FHOLUB	DATE 06/18/2002	DOCUMENT NO. SD-33471-031	SHEET NO. 5 OF 7		

THIS DRAWING CONTAINS INFORMATION THAT IS PROPRIETARY TO MOLEX INCORPORATED AND SHOULD NOT BE USED WITHOUT WRITTEN PERMISSION

19 18 17 16 15 14 13 12 11 10 9 8 7 6 5 4 3 2 1

BACKSHELL CONFIGURATIONS



RECEPTACLE SEALED ASSEMBLY WITH RECEPTACLE BACKSHELL

ENTER DESCRIPTION IEC NO. UAU2018-0229 DRAWN: SONG05 2017/09/22 CHECKED: WANSI, ANBROU 2017/09/22 APPR: WANSI, ANBROU 2017/09/26 Q7 REV DESCRIPTION	QUALITY SYMBOLS ▽=0 ▽=0 ▽=0		GENERAL TOLERANCES (UNLESS SPECIFIED) mm INCH 4 PLACES ± --- ± --- 3 PLACES ± 0.1 ± --- 2 PLACES ± 0.30 ± --- 1 PLACE ± ± --- 0 PLACE ± ±		DIMENSION STYLE MM ONLY DRAWN BY DATE DMARCOUX 06/18/2002 CHECKED BY DATE DGRIFITHS 6/18/2002 APPROVED BY DATE FHOLUB 06/18/2002		SCALE 4:1	DESIGN UNITS METRIC	THIRD ANGLE PROJECTION
	ANGULAR ± 3 ° DRAFT WHERE APPLICABLE MUST REMAIN WITHIN DIMENSIONS			MATERIAL NO. SEE BOM		DOCUMENT NO. SD-33471-031		SHEET NO. 6 OF 7	
	TITLE MX150 1X3 RECEPTACLE SEALED ASSEMBLY MAT SEAL								
	molex THIS DRAWING CONTAINS INFORMATION THAT IS PROPRIETARY TO MOLEX INCORPORATED AND SHOULD NOT BE USED WITHOUT WRITTEN PERMISSION								

ASSEMBLY PART NUMBER	COLOR	KEYING OPTION	ORIENT TYPE & STATUS X-PLUMED			CPA	STATUS	OPTIONAL ATTACHMENTS SOLD SEPARATELY	
			1	2	3			BACKSHELL WITH RIBS	BACKSHELL WITHOUT RIBS
			33471-0301	BLACK	A				
33471-0302	LT.GRAY	B				-	SALEABLE	34949-0310	34949-0320
33471-0303	BROWN	C				-	NOT RECOMMENDED--SEE P/N 33471-0343	34949-0310	34949-0320
33471-0304	GREEN	D				-	NOT RECOMMENDED--SEE P/N 33471-0344	34949-0310	34949-0320
33471-0305							VOIDED		
33471-0306	BLACK	A				YES	SALEABLE	34949-0310	34949-0320
33471-0307	LT.GRAY	B				YES	SALEABLE	34949-0310	34949-0320
33471-0308	BROWN	C				YES	NOT RECOMMENDED--SEE P/N 33471-0340	34949-0310	34949-0320
33471-0309	GREEN	D				YES	NOT RECOMMENDED--SEE P/N 33471-0346	34949-0310	34949-0320
33471-0310							VOIDED		
33471-0311	BLACK	A		X		-	SALEABLE	34949-0310	34949-0320
33471-0312	LT.GRAY	B		X		-	SALEABLE	34949-0310	34949-0320
33471-0313	BROWN	C		X		-	SALEABLE	34949-0310	34949-0320
33471-0314	GREEN	D		X		-	SALEABLE	34949-0310	34949-0320
33471-0315							VOIDED		
33471-0316	BLACK	A		X		YES	SALEABLE	34949-0310	34949-0320
33471-0317	LT.GRAY	B		X		YES	SALEABLE	34949-0310	34949-0320
33471-0318	BROWN	C		X		YES	SALEABLE	34949-0310	34949-0320
33471-0319	GREEN	D		X		YES	SALEABLE	34949-0310	34949-0320
33471-0320							VOIDED		
33471-0321	BLACK	A	X	X		-	SALEABLE	34949-0310	34949-0320
33471-0322	LT.GRAY	B	X	X		-	SALEABLE	34949-0310	34949-0320
33471-0323	BROWN	C	X	X		-	SALEABLE	34949-0310	34949-0320
33471-0324	GREEN	D	X	X		-	SALEABLE	34949-0310	34949-0320
33471-0325							VOIDED		
33471-0326	BLACK	A	X	X		YES	SALEABLE	34949-0310	34949-0320
33471-0327	LT.GRAY	B	X	X		YES	SALEABLE	34949-0310	34949-0320
33471-0328	BROWN	C	X	X		YES	SALEABLE	34949-0310	34949-0320
33471-0329	GREEN	D	X	X		YES	SALEABLE	34949-0310	34949-0320
33471-0330							VOIDED		
33471-0331	BLACK	A	X	X		-	SALEABLE	34949-0310	34949-0320
33471-0332	LT.GRAY	B	X	X		-	SALEABLE	34949-0310	34949-0320
33471-0333	BROWN	C	X	X		-	SALEABLE	34949-0310	34949-0320
33471-0334	GREEN	D	X	X		-	SALEABLE	34949-0310	34949-0320
33471-0335							VOIDED		
33471-0336	BLACK	A	X	X		YES	SALEABLE	34949-0310	34949-0320
33471-0337	BLACK	A	X	X		-	SALEABLE	34949-0310	34949-0320
33471-0338	BLACK	A	X	X		YES	SALEABLE	34949-0310	34949-0320
33471-0339	BLACK	A	X	X		-	SALEABLE	34949-0310	34949-0320
33471-0340	DK.GRAY	C				YES	SALEABLE	34949-0310	34949-0320
33471-0341	LT.GRAY	B	X	X		YES	SALEABLE	34949-0310	34949-0320
33471-0342	DK.GRAY	C	X	X		YES	SALEABLE	34949-0310	34949-0320
33471-0343	DK.GRAY	C				-	SALEABLE	34949-0310	34949-0320
33471-0344	ST.GRAY	D				-	SALEABLE	34949-0310	34949-0320
33471-0345	DK.GRAY	C				YES	OBSOLETE---SEE P/N 33471-0340	34949-0310	34949-0320
33471-0346	ST.GRAY	D				YES	SALEABLE	34949-0310	34949-0320
33471-0347	YELLOW	A				YES	SALEABLE	34949-0310	34949-0320

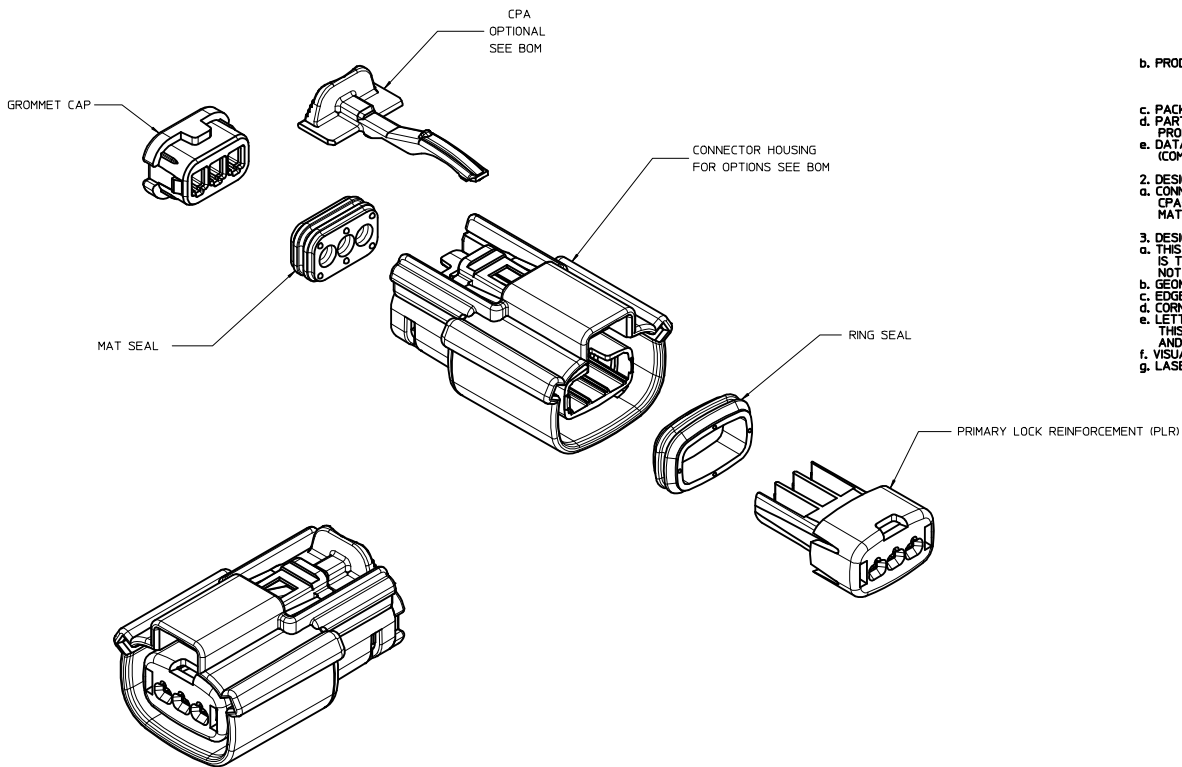
\*FOR ASSEMBLY P/N'S 33471-0340 AND 33471-0342 REFER TO SALEABLE KEY OPTION C ASSEMBLY P/N'S ABOVE

ASSEMBLY PART NUMBER	COLOR	KEYING OPTION	ORIENT TYPE & STATUS X-PLUMED			CPA	STATUS	OPTIONAL ATTACHMENTS SOLD SEPARATELY	
			1	2	3			BACKSHELL WITH RIBS	BACKSHELL WITHOUT RIBS
			33471-3301	BLACK	A				
33471-3302	LT.GRAY	B				-	SALEABLE	34949-0310	34949-0320
33471-3303	BROWN	C				-	NOT RECOMMENDED--SEE P/N 33471-3343	34949-0310	34949-0320
33471-3304	GREEN	D				-	NOT RECOMMENDED--SEE P/N 33471-3344	34949-0310	34949-0320
33471-3305							VOIDED		
33471-3306	BLACK	A				YES	SALEABLE	34949-0310	34949-0320
33471-3307	LT.GRAY	B				YES	SALEABLE	34949-0310	34949-0320
33471-3308	BROWN	C				YES	NOT RECOMMENDED--SEE P/N 33471-3340	34949-0310	34949-0320
33471-3309	GREEN	D				YES	NOT RECOMMENDED--SEE P/N 33471-3346	34949-0310	34949-0320
33471-3310							VOIDED		
33471-3311	BLACK	A		X		-	SALEABLE	34949-0310	34949-0320
33471-3312	LT.GRAY	B		X		-	SALEABLE	34949-0310	34949-0320
33471-3313	BROWN	C		X		-	SALEABLE	34949-0310	34949-0320
33471-3314	GREEN	D		X		-	SALEABLE	34949-0310	34949-0320
33471-3315							VOIDED		
33471-3316	BLACK	A		X		YES	SALEABLE	34949-0310	34949-0320
33471-3317	LT.GRAY	B		X		YES	SALEABLE	34949-0310	34949-0320
33471-3318	BROWN	C		X		YES	SALEABLE	34949-0310	34949-0320
33471-3319	GREEN	D		X		YES	SALEABLE	34949-0310	34949-0320
33471-3320							VOIDED		
33471-3321	BLACK	A	X	X		-	SALEABLE	34949-0310	34949-0320
33471-3322	LT.GRAY	B	X	X		-	SALEABLE	34949-0310	34949-0320
33471-3323	BROWN	C	X	X		-	SALEABLE	34949-0310	34949-0320
33471-3324	GREEN	D	X	X		-	SALEABLE	34949-0310	34949-0320
33471-3325							VOIDED		
33471-3326	BLACK	A	X	X		YES	SALEABLE	34949-0310	34949-0320
33471-3327	LT.GRAY	B	X	X		YES	SALEABLE	34949-0310	34949-0320
33471-3328	BROWN	C	X	X		YES	SALEABLE	34949-0310	34949-0320
33471-3329	GREEN	D	X	X		YES	SALEABLE	34949-0310	34949-0320
33471-3330							VOIDED		
33471-3331	BLACK	A	X	X		-	SALEABLE	34949-0310	34949-0320
33471-3332	LT.GRAY	B	X	X		-	SALEABLE	34949-0310	34949-0320
33471-3333	BROWN	C	X	X		-	SALEABLE	34949-0310	34949-0320
33471-3334	GREEN	D	X	X		-	SALEABLE	34949-0310	34949-0320
33471-3335							VOIDED		
33471-3336	BLACK	A	X	X		YES	SALEABLE	34949-0310	34949-0320
33471-3337	BLACK	A	X	X		-	SALEABLE	34949-0310	34949-0320
33471-3338	BLACK	A	X	X		YES	SALEABLE	34949-0310	34949-0320
33471-3339	BLACK	A	X	X		-	SALEABLE	34949-0310	34949-0320
33471-3340	DK.GRAY	C				YES	SALEABLE	34949-0310	34949-0320
33471-3341	LT.GRAY	B	X	X		YES	SALEABLE	34949-0310	34949-0320
33471-3342	DK.GRAY	C	X	X		YES	SALEABLE	34949-0310	34949-0320
33471-3343	DK.GRAY	C				-	SALEABLE	34949-0310	34949-0320
33471-3344	ST.GRAY	D				-	SALEABLE	34949-0310	34949-0320
33471-3345	DK.GRAY	C				YES	OBSOLETE---SEE P/N 33471-3340	34949-0310	34949-0320
33471-3346	ST.GRAY	D				YES	SALEABLE	34949-0310	34949-0320
33471-3347	YELLOW	A				YES	SALEABLE	34949-0310	34949-0320

\*FOR ASSEMBLY P/N'S 33471-3340 AND 33471-3342 REFER TO SALEABLE KEY OPTION C ASSEMBLY P/N'S ABOVE

<b>ENTER DESCRIPTION</b> ELEC NO. LAU2018-0229 DRAWN BY: CHOKWANG SONGS 2017/09/22 CHECKED BY: CHOKWANG SONGS 2017/09/22 APPROVED BY: APPR:WANGS.LANBROU 2017/09/26 REV: Q7	QUALITY SYMBOLS	GENERAL TOLERANCES (UNLESS SPECIFIED)	DIMENSION STYLE	SCALE	DESIGN UNITS	THIRD ANGLE PROJECTION
	▽=0	4 PLACES ± .005	MM ONLY	DMARCOUX	METRIC	
	▽=0	3 PLACES ± .01	INCH	DATE	DATE	
	▽=0	2 PLACES ± 0.1		6/18/2002	6/18/2002	
		1 PLACE ± 0.30		DATE	DATE	
	0 PLACE ±		FHOLUB	06/18/2002		
	ANGULAR ± 3°	DRAFT WHERE APPLICABLE MUST REMAIN WITHIN DIMENSIONS	MATERIAL NO.	DOCUMENT NO.	TITLE	
			SEE BOM	SD-33471-031	MX150 1X3 RECEPTACLE SEALED ASSEMBLY MAT SEAL	
			THIS DRAWING CONTAINS INFORMATION THAT IS PROPRIETARY TO MOLEX INCORPORATED AND SHOULD NOT BE USED WITHOUT WRITTEN PERMISSION		molex	
					SHEET NO. 7 OF 7	

TABLE OF CONTENTS	
SHEET NO.	SHEET DESCRIPTION
1	NOTES
2	KEY CONFIGURATIONS
3	RECEPTACLE SEALED ASSEMBLY
4	BACKSHELL NOTES
5	BACKSHELL
6	BACKSHELL CONFIGURATION
7	BOM



NOTES: VALID UNLESS OTHERWISE SPECIFIED

1. GENERAL:
  - a. APPLICATION SPECIFICATION SEE: AS-33472-100  
 -CONTAINS: PRODUCT INTRODUCTION, PRODUCT SUMMARY, CONNECTOR ASSEMBLY, PACKAGING INFORMATION, CONNECTOR MATING, SERVICE INSTRUCTIONS, ELECTRICAL CONTINUITY CHECKING, CRIMPING, AND TROUBLESHOOTING.  
 -DESIGNED TO MATE WITH DEVICE CONNECTION AS SPECIFIED IN DRAWING EWCAP 150-S-003-1-205, AVAILABLE AT <a href="http://ewcap.uscarteams.org/">http://ewcap.uscarteams.org/ -  
 -DESIGNED TO MATE WITH BLADE SEALED ASSEMBLY AS SPECIFIED IN DRAWING SD-33481-031  
 -FOR 15mm RECEPTACLE TERMINALS TO BE USED WITH THIS ASSEMBLY. SEE MOLEX DRAWING SD-33042-002.  
 -SYSTEM TO BE USED WITH WIRE WITHIN DIAMETER RANGE OF 1.2 mm TO 2.69 mm.  
 -ASSEMBLY SHIPPED WITH PLR AND CPA IN PRE-LOCK POSITION (SEE SECTION Z-Z PRE-LOCK).  
 -IN THE EVENT THAT THE PLR IS FOUND IN THE SEATED (FINAL LOCK) POSITION, REFER TO MOLEX SPECIFICATION PS-34646-001, AVAILABLE AT [www.molex.com](http://www.molex.com) -<http://www.molex.com>.  
 -ASSEMBLY CONFORMS TO SAE/USCAR-2 REV.4 WITH THE FOLLOWING EXCEPTIONS:  
 ENGAGEMENT FORCE TO MOVE CPA FROM PRE-LOCK TO FINAL LOCK POSITION WHEN UNMATED: 40N MIN.  
 DISENGAGEMENT FORCE TO MOVE CPA FROM FINAL LOCK TO PRE-LOCK POSITION: 3N MIN, 40N MAX  
 TERMINAL INSERTION FORCE FOR WIRE DIAMETER ABOVE 2.5mm NOT EXCEEDING 2.69mm SHALL NOT EXCEED 40 NEWTONS.
  - b. PRODUCT SPECIFICATION SEE: PS-33471-000  
 -CONTAINS: PRODUCT INTRODUCTION, PRODUCT SUMMARY, RATINGS (CURRENT, TEMPERATURE, SEALING, AND FLAMMABILITY), AND PRODUCT VALIDATION.
  - c. PACKAGING SPECIFICATION PER MOLEX DRAWING: PK-31300-635
  - d. PARTS MUST BE IN COMPLIANCE TO MOLEX CHEMICAL SUBSTANCES FOR PRODUCTS AND PACKAGING SPECIFICATION: ES-40000-5046
  - e. DATA MUST BE SUBMITTED UNDER THE MOLEX PART NUMBER TO IMDS (COMPANY ID#13255)
2. DESIGN - MATERIALS:
  - a. CONNECTOR HOUSING, GROMMET CAP, PLR: SPS/NYLON BLEND 20% GLASS FILLED
  - CPA: PBT 20% GLASS FILLED
  - MAT SEAL, RING SEAL: INHERENTLY LUBRICATED SILICONE
3. DESIGN - GEOMETRY:
  - a. THIS IS A 100% CAD GENERATED PART. THE CAD MATHEMATICAL DATA IS THE MASTER FOR THIS PART. FOR DIMENSIONAL OR ANY INFORMATION NOT SHOWN ON THIS DRAWING, ANALYZE THE CAD MODEL.
  - b. GEOMETRIC DIMENSIONS AND TOLERANCES PER ASME Y14.5M - 1994
  - c. EDGES AND UNDIMENSIONED DETAILS PER ISO13715
  - d. CORNERS SHOWN AS SHARP TO BE R 0.2 MAX.
  - e. LETTERING SHALL BE 0.15 MAX RAISED IN 0.25 MAX RECESS PAD. THIS INCLUDES RECYCLING CODE, CAVITY ID, VENDOR IDENTIFICATION, AND CUSTOMER MATERIAL NUMBER.
  - f. VISUAL DEFECTS SHALL MEET COSMETIC STANDARD PS-45499-002 (Class B)
  - g. LASER MARKING: TBD

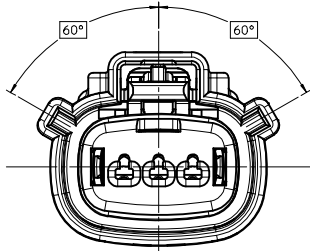
INSPECTION NUMBER LOG  
 LAST NUMBER USED: 5  
 ADDED:  
 REMOVED:

Q7	ADD NEW P/NS 33471-33XX
Q6	UPDATED VIEWS
Q5	ADD BACKSHELL CONFIGURATION
Q4	ADD NEW P/N 33471-0347
Q3	334710345 IS SAME AS 334710340 SQ VOID 334710345
Q2	CHANGE THE STATUS TO SALEABLE
Q1	UPDATED NOTES
Q	REDRAWN
REV	DESCRIPTION

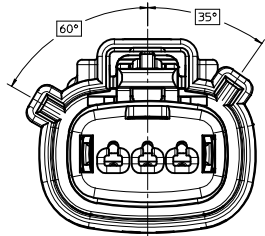
<b>ENTER DESCRIPTION</b> IEC NO: UAU2018-0229 DRWN: SONGS 2017/09/22 CHD: MYANSLANR001/2017/09/22 APPR: MYANSLANR001/2017/09/26 REV: Q7	QUALITY SYMBOLS ▽=0 ▽=0 ▽=0	GENERAL TOLERANCES (UNLESS SPECIFIED): 4 PLACES ± .005 3 PLACES ± .004 2 PLACES ± 0.1 1 PLACE ± 0.30 0 PLACE ± .	DIMENSION STYLE MM ONLY	DRAWN BY: DMARCOUX DATE: 06/18/2002 CHECKED BY: DGRIFITHS DATE: 6/18/2002 APPROVED BY: FHOLUB DATE: 06/18/2002	SCALE: 3:1 DESIGN UNITS: METRIC THIRD ANGLE PROJECTION	TITLE: MX150 1X3 RECEPTACLE SEALED ASSEMBLY MAT SEAL <b>molex</b>	MATERIAL NO: SEE BOM DOCUMENT NO: SD-33471-031	SHEET NO: 1 OF 7
	DRAFT WHERE APPLICABLE MUST REMAIN WITHIN DIMENSIONS		DIMENSION STYLE: MM ONLY		THIRD ANGLE PROJECTION		SHEET NO: 1 OF 7	
	DRAFT WHERE APPLICABLE MUST REMAIN WITHIN DIMENSIONS		DIMENSION STYLE: MM ONLY		THIRD ANGLE PROJECTION		SHEET NO: 1 OF 7	
	DRAFT WHERE APPLICABLE MUST REMAIN WITHIN DIMENSIONS		DIMENSION STYLE: MM ONLY		THIRD ANGLE PROJECTION		SHEET NO: 1 OF 7	



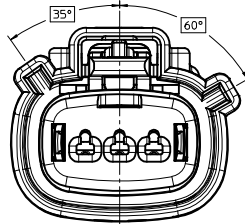
KEY CONFIGURATIONS



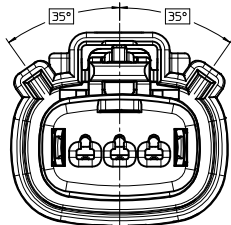
KEY A



KEY B



KEY C

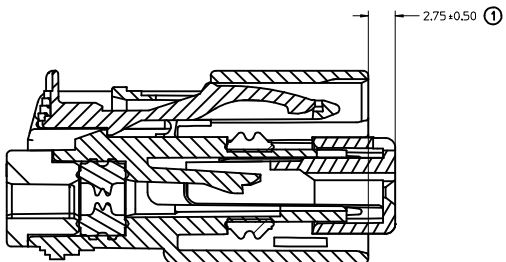
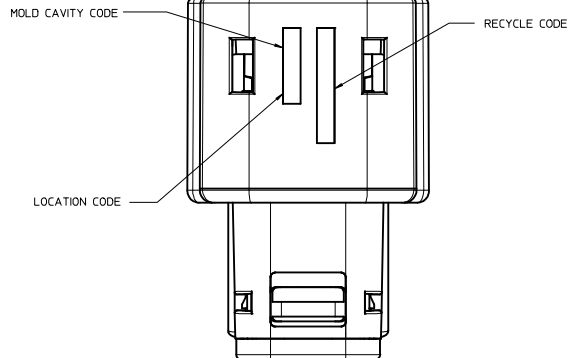
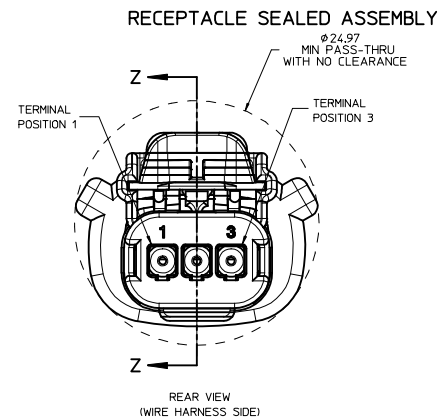
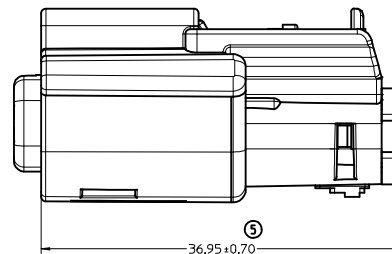
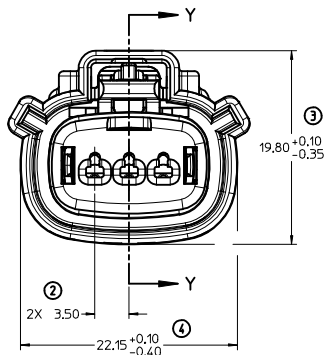
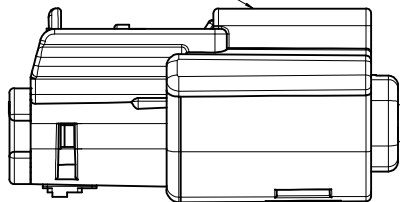


KEY D

<b>ENTER DESCRIPTION</b> IEC NO. UAU2018-0229 DRAWN: SONGS 2017/09/22 CHECKED: VANSI, ANBROU 2017/09/22 APPR: VANSI, ANBROU 2017/09/26 Q7 REVISIONS DESCRIPTION	QUALITY SYMBOLS	GENERAL TOLERANCES (UNLESS SPECIFIED)	DIMENSION STYLE	SCALE	DESIGN UNITS	THIRD ANGLE PROJECTION
	▽=0	mm INCH	MM ONLY	4:1	METRIC	☉
	▽=0	4 PLACES ± --- ± --- 3 PLACES ± --- ± --- 2 PLACES ± 0.1 ± --- 1 PLACE ± 0.30 ± --- 0 PLACE ± ±	DRAWN BY DATE DMARCOUX 06/18/2002 CHECKED BY DATE DGRIFFITHS 6/18/2002 APPROVED BY DATE FHOLUB 06/18/2002	TITLE	MX150 1X3 RECEPTACLE SEALED ASSEMBLY MAT SEAL	
	▽=0	ANGULAR ± 3 ° DRAFT WHERE APPLICABLE MUST REMAIN WITHIN DIMENSIONS	MATERIAL NO. SEE BOM	DOCUMENT NO. SD-33471-031	SHEET NO. 2 OF 7	

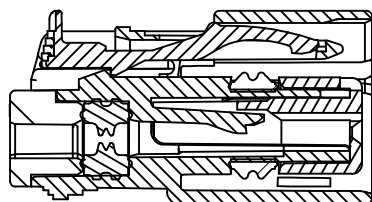
THIS DRAWING CONTAINS INFORMATION THAT IS PROPRIETARY TO MOLEX INCORPORATED AND SHOULD NOT BE USED WITHOUT WRITTEN PERMISSION

LASER MARKING ON THIS SURFACE  
SEE NOTE 3g.



PRIMARY LOCK REINFORCEMENT (PLR) SHOWN  
IN PRE-STAGED POSITION

SECTION Z-Z

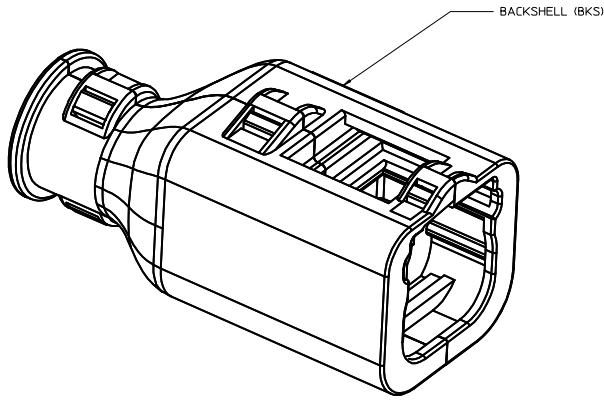


PRIMARY LOCK REINFORCEMENT (PLR) SHOWN  
IN FINAL LOCK POSITION

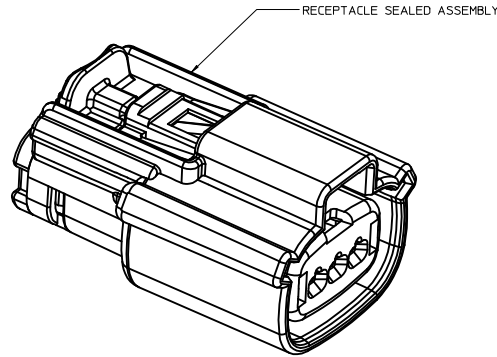
SECTION Y-Y

<b>ENTER DESCRIPTION</b> IEC NO. UAU2018-0229 DRAWN BY 2017/09/22 CHYKOHVANSI,ANBRU/2017/09/22 APPR:MYANSI,ANBRU/2017/09/26 Q7 REV DESCRIPTION	<b>QUALITY SYMBOLS</b> ∇=0 ∇=0 ∇=0		<b>GENERAL TOLERANCES (UNLESS SPECIFIED)</b> mm INCH 4 PLACES ± --- ± --- 3 PLACES ± --- ± --- 2 PLACES ± 0.1 ± --- 1 PLACE ± 0.30 ± --- 0 PLACE ± ±		<b>DIMENSION STYLE</b> MM ONLY DRAWN BY DATE DMARCOUX 06/18/2002 CHECKED BY DATE DGRIFITHS 6/18/2002 APPROVED BY DATE FHOLUB 06/18/2002		SCALE 4:1 DESIGN UNITS METRIC THIRD ANGLE PROJECTION	
	ANGULAR ± 3 ° DRAFT WHERE APPLICABLE MUST REMAIN WITHIN DIMENSIONS				MATERIAL NO. SEE BOM DOCUMENT NO. SD-33471-031		SHEET NO. 3 OF 7	
	TITLE MX150 1X3 RECEPTACLE SEALED ASSEMBLY MAT SEAL <b>molex</b>							
	THIS DRAWING CONTAINS INFORMATION THAT IS PROPRIETARY TO MOLEX INCORPORATED AND SHOULD NOT BE USED WITHOUT WRITTEN PERMISSION							

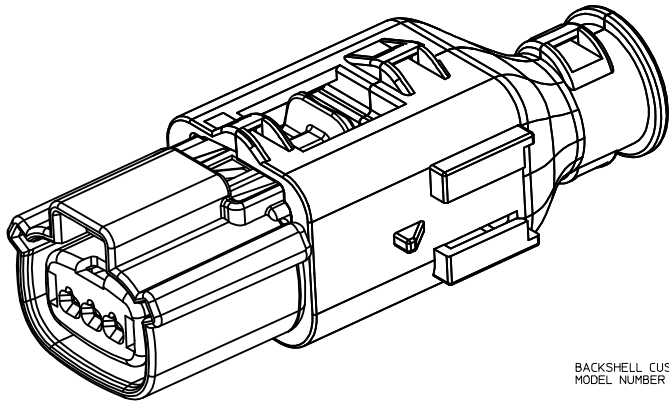
BACKSHELL NOTES



BACKSHELL (BKS)



RECEPTACLE SEALED ASSEMBLY



BACKSHELL CUSTOMER MODEL NUMBER LEGEND

34949-XXXX

CUSTOMER MODEL COMPONENTS

- 0 - BACKSHELL ONLY
- 1 - BACKSHELL & MX150 HOUSING KEY A ASSEMBLY
- 2 - BACKSHELL & MX150 HOUSING KEY B ASSEMBLY
- 3 - BACKSHELL & MX150 HOUSING KEY C ASSEMBLY
- 4 - BACKSHELL & MX150 HOUSING KEY D ASSEMBLY

BACKSHELL FEATURES

- 1 - WITH RIBS
- 2 - WITHOUT RIBS

MX150 CIRCUIT SIZE 02, 03, 04, 05, 06

BACKSHELL NOTES: VALID UNLESS OTHERWISE SPECIFIED

1. GENERAL:

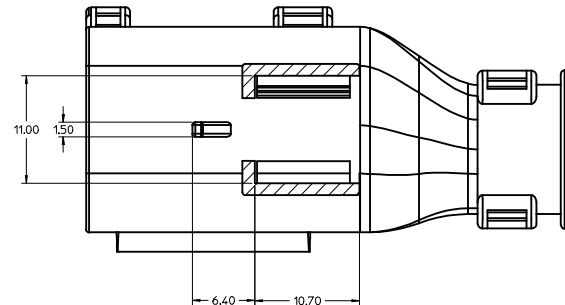
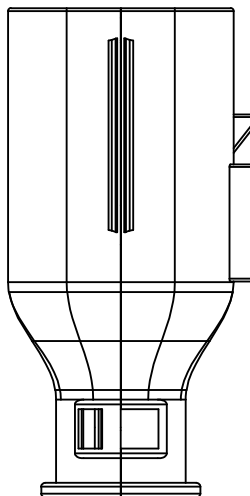
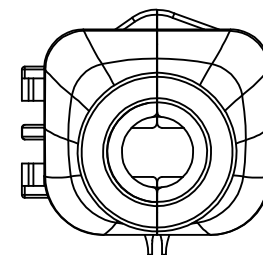
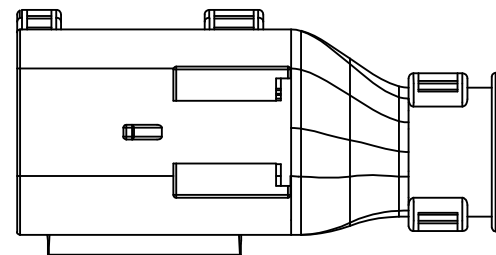
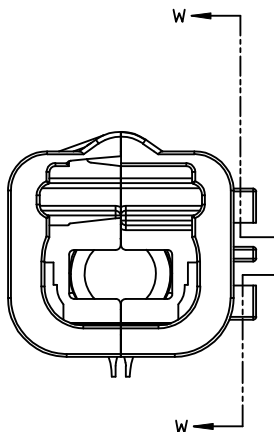
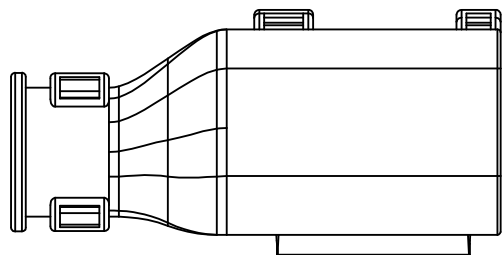
a. APPLICATION SPECIFICATION SEE: AS-34951-001

- DESIGNED TO MATE WITH RECEPTACLE SEALED ASSEMBLY SPECIFIED IN MOLEX DRAWING SD-33471-031.
- SYSTEM TO BE USED WITH WIRE WITH DIAMETER RANGE OF 1.2mm TO 2.69mm.
- COMPONENTS ARE OPTIONAL AND MUST BE PURCHASED SEPARATELY.
- BACKSHELL DESIGN IS OWNED BY SCHLEMMER.
- FOR ADDITIONAL INFORMATION SEE THE BACKSHELL COMPONENT DRAWING SD-34949-0001.

<b>ENTER DESCRIPTION</b> IEC NO. UAU2018-0229 DRAWN BY 2017/09/22 CHYKHWANSI,ANBRU/2017/09/22 APPR:MYANSI,ANBRU/2017/09/26 Q7 REY	<b>QUALITY SYMBOLS</b> ∇=0 ∇=0 ∇=0	<b>GENERAL TOLERANCES (UNLESS SPECIFIED)</b>		DIMENSION STYLE <b>MM ONLY</b>	SCALE <b>4:1</b>	DESIGN UNITS <b>METRIC</b>	THIRD ANGLE PROJECTION
		4 PLACES # --- # --- 3 PLACES # --- # --- 2 PLACES # 0.1 # --- 1 PLACE # 0.30 # --- 0 PLACE # #	mm INCH	DRAWN BY DATE DMARCOUX 06/18/2002 CHECKED BY DATE DGRIFITHS 6/18/2002 APPROVED BY DATE FHOLUB 06/18/2002	MATERIAL NO. <b>SEE BOM</b>	DOCUMENT NO. <b>SD-33471-031</b>	SHEET NO. 4 OF 7
ANGLULAR ± 3 ° DRAFT WHERE APPLICABLE MUST REMAIN WITHIN DIMENSIONS		TITLE <b>MX150 1X3 RECEPTACLE SEALED ASSEMBLY MAT SEAL</b>		MOLEX			THIS DRAWING CONTAINS INFORMATION THAT IS PROPRIETARY TO MOLEX INCORPORATED AND SHOULD NOT BE USED WITHOUT WRITTEN PERMISSION

20 19 18 17 16 15 14 13 12 11 10 9 8 7 6 5 4 3 2 1

BACKSHELL  
THE VIEWS ON THIS SHEET ARE  
IN THE CLOSED UN-ASSEMBLED POSITION

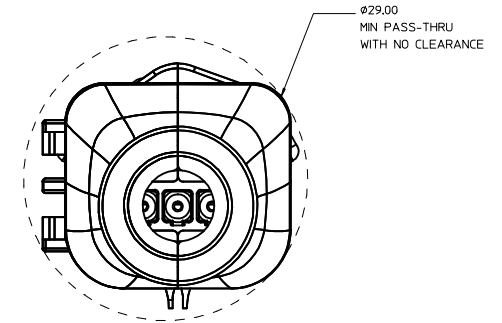
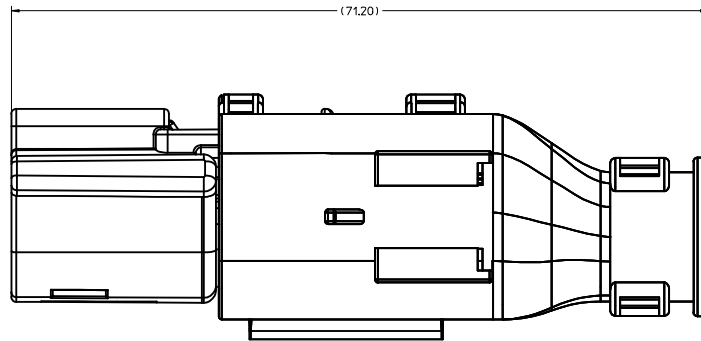


SECTION W-W

<b>ENTER DESCRIPTION</b> IEC NO. UAU2018-0229 DRAWN: SONGS 2017/09/22 CHECKED: WANSI, ANBROU 2017/09/22 APPR: WANSI, ANBROU 2017/09/26	QUALITY SYMBOLS	GENERAL TOLERANCES (UNLESS SPECIFIED)		DIMENSION STYLE	SCALE	DESIGN UNITS	THIRD ANGLE PROJECTION
	▽=0	mm	INCH	MM ONLY	4:1	METRIC	☉
	▽=0	4 PLACES ±	3 PLACES ±	DMARCOUX	DATE	TITLE	
	▽=0	2 PLACES ±0.1	1 PLACE ±0.30	0 PLACE ±	CHECKED BY	DATE	MX150 1X3 RECEPTACLE SEALED ASSEMBLY MAT SEAL
REV	DESCRIPTION	ANGULAR ± 3 °		MATERIAL NO.	APPROVED BY	DATE	DOCUMENT NO.
Q7		DRAFT WHERE APPLICABLE MUST REMAIN WITHIN DIMENSIONS		SEE BOM	FHOLUB	06/18/2002	SD-33471-031
				SIZE	THIS DRAWING CONTAINS INFORMATION THAT IS PROPRIETARY TO MOLEX INCORPORATED AND SHOULD NOT BE USED WITHOUT WRITTEN PERMISSION		
				D	SHEET NO. 5 OF 7		

19 18 17 16 15 14 13 12 11 10 9 8 7 6 5 4 3 2 1

BACKSHELL CONFIGURATIONS



RECEPTACLE SEALED ASSEMBLY WITH RECEPTACLE BACKSHELL

ENTER DESCRIPTION IEC NO. UAU2018-0229 DRAWN: SONGS 2017/09/22 CHECKED: WANSI, ANBROU 2017/09/22 APPR: WANSI, ANBROU 2017/09/26 Q7 REV:	QUALITY SYMBOLS	GENERAL TOLERANCES (UNLESS SPECIFIED)	DIMENSION STYLE	SCALE	DESIGN UNITS	THIRD ANGLE PROJECTION
	$\nabla=0$ $\nabla=0$ $\nabla=0$	mm INCH 4 PLACES $\pm$ --- $\pm$ --- 3 PLACES $\pm$ --- $\pm$ --- 2 PLACES $\pm 0.1$ $\pm$ --- 1 PLACE $\pm 0.30$ $\pm$ --- 0 PLACE $\pm$ $\pm$	MM ONLY	4:1	METRIC	DRAWN BY DATE DMARCOUX 06/18/2002 CHECKED BY DATE DGRIFFITHS 6/18/2002 APPROVED BY DATE FHOLUB 06/18/2002
	ANGULAR $\pm 3^\circ$ DRAFT WHERE APPLICABLE MUST REMAIN WITHIN DIMENSIONS	MATERIAL NO. SEE BOM	TITLE MX150 1X3 RECEPTACLE SEALED ASSEMBLY MAT SEAL molex	DOCUMENT NO. SD-33471-031	SHEET NO. 6 OF 7	
	THIS DRAWING CONTAINS INFORMATION THAT IS PROPRIETARY TO MOLEX INCORPORATED AND SHOULD NOT BE USED WITHOUT WRITTEN PERMISSION					

ASSEMBLY PART NUMBER	COLOR	KEYING OPTION	ORIFY TYPE & STATUS X-PLUMED			CPA	STATUS	OPTIONAL ATTACHMENTS SOLD SEPARATELY	
			1	2	3			BACKSHELL WITH RIBS	BACKSHELL WITHOUT RIBS
33471-0301	BLACK	A				-	SALEABLE	34949-0310	34949-0320
33471-0302	LT.GRAY	B				-	SALEABLE	34949-0310	34949-0320
33471-0303	BROWN	C				-	NOT RECOMMENDED--SEE P/N 33471-0343	34949-0310	34949-0320
33471-0304	GREEN	D				-	NOT RECOMMENDED--SEE P/N 33471-0344	34949-0310	34949-0320
33471-0305							VOIDED		
33471-0306	BLACK	A				YES	SALEABLE	34949-0310	34949-0320
33471-0307	LT.GRAY	B				YES	SALEABLE	34949-0310	34949-0320
33471-0308	BROWN	C				YES	NOT RECOMMENDED--SEE P/N 33471-0340	34949-0310	34949-0320
33471-0309	GREEN	D				YES	NOT RECOMMENDED--SEE P/N 33471-0346	34949-0310	34949-0320
33471-0310							VOIDED		
33471-0311	BLACK	A		X		-	SALEABLE	34949-0310	34949-0320
33471-0312	LT.GRAY	B		X		-	SALEABLE	34949-0310	34949-0320
33471-0313	BROWN	C		X		-	SALEABLE	34949-0310	34949-0320
33471-0314	GREEN	D		X		-	SALEABLE	34949-0310	34949-0320
33471-0315							VOIDED		
33471-0316	BLACK	A		X		YES	SALEABLE	34949-0310	34949-0320
33471-0317	LT.GRAY	B		X		YES	SALEABLE	34949-0310	34949-0320
33471-0318	BROWN	C		X		YES	SALEABLE	34949-0310	34949-0320
33471-0319	GREEN	D		X		YES	SALEABLE	34949-0310	34949-0320
33471-0320							VOIDED		
33471-0321	BLACK	A	X	X		-	SALEABLE	34949-0310	34949-0320
33471-0322	LT.GRAY	B	X	X		-	SALEABLE	34949-0310	34949-0320
33471-0323	BROWN	C	X	X		-	SALEABLE	34949-0310	34949-0320
33471-0324	GREEN	D	X	X		-	SALEABLE	34949-0310	34949-0320
33471-0325							VOIDED		
33471-0326	BLACK	A	X	X		YES	SALEABLE	34949-0310	34949-0320
33471-0327	LT.GRAY	B	X	X		YES	SALEABLE	34949-0310	34949-0320
33471-0328	BROWN	C	X	X		YES	SALEABLE	34949-0310	34949-0320
33471-0329	GREEN	D	X	X		YES	SALEABLE	34949-0310	34949-0320
33471-0330							VOIDED		
33471-0331	BLACK	A	X	X		-	SALEABLE	34949-0310	34949-0320
33471-0332	LT.GRAY	B	X	X		-	SALEABLE	34949-0310	34949-0320
33471-0333	BROWN	C	X	X		-	SALEABLE	34949-0310	34949-0320
33471-0334	GREEN	D	X	X		-	SALEABLE	34949-0310	34949-0320
33471-0335							VOIDED		
33471-0336	BLACK	A	X	X		YES	SALEABLE	34949-0310	34949-0320
33471-0337	BLACK	A	X	X		-	SALEABLE	34949-0310	34949-0320
33471-0338	BLACK	A	X	X		YES	SALEABLE	34949-0310	34949-0320
33471-0339	BLACK	A	X	X		-	SALEABLE	34949-0310	34949-0320
33471-0340	DK.GRAY	C				YES	SALEABLE	34949-0310	34949-0320
33471-0341	LT.GRAY	B		X		YES	SALEABLE	34949-0310	34949-0320
33471-0342	DK.GRAY	C		X		YES	SALEABLE	34949-0310	34949-0320
33471-0343	DK.GRAY	C				-	SALEABLE	34949-0310	34949-0320
33471-0344	ST.GRAY	D				-	SALEABLE	34949-0310	34949-0320
33471-0345	DK.GRAY	C				YES	OBSOLETE---SEE P/N 33471-0340	34949-0310	34949-0320
33471-0346	ST.GRAY	D				YES	SALEABLE	34949-0310	34949-0320
33471-0347	YELLOW	A				YES	SALEABLE	34949-0310	34949-0320

\*FOR ASSEMBLY P/N'S 33471-0340 AND 33471-0342 REFER TO SALEABLE KEY OPTION C ASSEMBLY P/N'S ABOVE

ASSEMBLY PART NUMBER	COLOR	KEYING OPTION	ORIFY TYPE & STATUS X-PLUMED			CPA	STATUS	OPTIONAL ATTACHMENTS SOLD SEPARATELY	
			1	2	3			BACKSHELL WITH RIBS	BACKSHELL WITHOUT RIBS
33471-3301	BLACK	A				-	SALEABLE	34949-0310	34949-0320
33471-3302	LT.GRAY	B				-	SALEABLE	34949-0310	34949-0320
33471-3303	BROWN	C				-	NOT RECOMMENDED--SEE P/N 33471-3343	34949-0310	34949-0320
33471-3304	GREEN	D				-	NOT RECOMMENDED--SEE P/N 33471-3344	34949-0310	34949-0320
33471-3305							VOIDED		
33471-3306	BLACK	A				YES	SALEABLE	34949-0310	34949-0320
33471-3307	LT.GRAY	B				YES	SALEABLE	34949-0310	34949-0320
33471-3308	BROWN	C				YES	NOT RECOMMENDED--SEE P/N 33471-3340	34949-0310	34949-0320
33471-3309	GREEN	D				YES	NOT RECOMMENDED--SEE P/N 33471-3346	34949-0310	34949-0320
33471-3310							VOIDED		
33471-3311	BLACK	A		X		-	SALEABLE	34949-0310	34949-0320
33471-3312	LT.GRAY	B		X		-	SALEABLE	34949-0310	34949-0320
33471-3313	BROWN	C		X		-	SALEABLE	34949-0310	34949-0320
33471-3314	GREEN	D		X		-	SALEABLE	34949-0310	34949-0320
33471-3315							VOIDED		
33471-3316	BLACK	A		X		YES	SALEABLE	34949-0310	34949-0320
33471-3317	LT.GRAY	B		X		YES	SALEABLE	34949-0310	34949-0320
33471-3318	BROWN	C		X		YES	SALEABLE	34949-0310	34949-0320
33471-3319	GREEN	D		X		YES	SALEABLE	34949-0310	34949-0320
33471-3320							VOIDED		
33471-3321	BLACK	A	X	X		-	SALEABLE	34949-0310	34949-0320
33471-3322	LT.GRAY	B	X	X		-	SALEABLE	34949-0310	34949-0320
33471-3323	BROWN	C	X	X		-	SALEABLE	34949-0310	34949-0320
33471-3324	GREEN	D	X	X		-	SALEABLE	34949-0310	34949-0320
33471-3325							VOIDED		
33471-3326	BLACK	A	X	X		YES	SALEABLE	34949-0310	34949-0320
33471-3327	LT.GRAY	B	X	X		YES	SALEABLE	34949-0310	34949-0320
33471-3328	BROWN	C	X	X		YES	SALEABLE	34949-0310	34949-0320
33471-3329	GREEN	D	X	X		YES	SALEABLE	34949-0310	34949-0320
33471-3330							VOIDED		
33471-3331	BLACK	A	X	X		-	SALEABLE	34949-0310	34949-0320
33471-3332	LT.GRAY	B	X	X		-	SALEABLE	34949-0310	34949-0320
33471-3333	BROWN	C	X	X		-	SALEABLE	34949-0310	34949-0320
33471-3334	GREEN	D	X	X		-	SALEABLE	34949-0310	34949-0320
33471-3335							VOIDED		
33471-3336	BLACK	A	X	X		YES	SALEABLE	34949-0310	34949-0320
33471-3337	BLACK	A	X	X		-	SALEABLE	34949-0310	34949-0320
33471-3338	BLACK	A	X	X		YES	SALEABLE	34949-0310	34949-0320
33471-3339	BLACK	A	X	X		-	SALEABLE	34949-0310	34949-0320
33471-3340	DK.GRAY	C				YES	SALEABLE	34949-0310	34949-0320
33471-3341	LT.GRAY	B		X		YES	SALEABLE	34949-0310	34949-0320
33471-3342	DK.GRAY	C		X		YES	SALEABLE	34949-0310	34949-0320
33471-3343	DK.GRAY	C				-	SALEABLE	34949-0310	34949-0320
33471-3344	ST.GRAY	D				-	SALEABLE	34949-0310	34949-0320
33471-3345	DK.GRAY	C				YES	OBSOLETE---SEE P/N 33471-3340	34949-0310	34949-0320
33471-3346	ST.GRAY	D				YES	SALEABLE	34949-0310	34949-0320
33471-3347	YELLOW	A				YES	SALEABLE	34949-0310	34949-0320

\*FOR ASSEMBLY P/N'S 33471-3340 AND 33471-3342 REFER TO SALEABLE KEY OPTION C ASSEMBLY P/N'S ABOVE

ENTER DESCRIPTION ELC NO.: UAU2018-0229 DRAWN BY: SONGS 2017/09/22 CHK'D BY: WANG, AMBRO 2017/09/22 APPR'D BY: WANG, AMBRO 2017/09/26 REV: Q7	QUALITY SYMBOLS	GENERAL TOLERANCES (UNLESS SPECIFIED)	DIMENSION STYLE	SCALE	DESIGN UNITS	THIRD ANGLE PROJECTION	
	$\nabla=0$ $\nabla=0$ $\nabla=0$	mm INCH	MM ONLY	METRIC	DATE	DATE	
		4 PLACES ± --- ± --- 3 PLACES ± --- ± --- 2 PLACES ± 0.1 ± --- 1 PLACE ± 0.30 ± --- 0 PLACE ± ±	DMARCOUX 06/18/2002 DGRIFITHS 6/18/2002 FHOLUB 06/18/2002	DATE DATE DATE	MX150 1X3 RECEPTACLE SEALED ASSEMBLY MAT SEAL  <b>molex</b> SEE BOM SD-33471-031		SHEET NO. 7 OF 7