

1

2

3

4

5

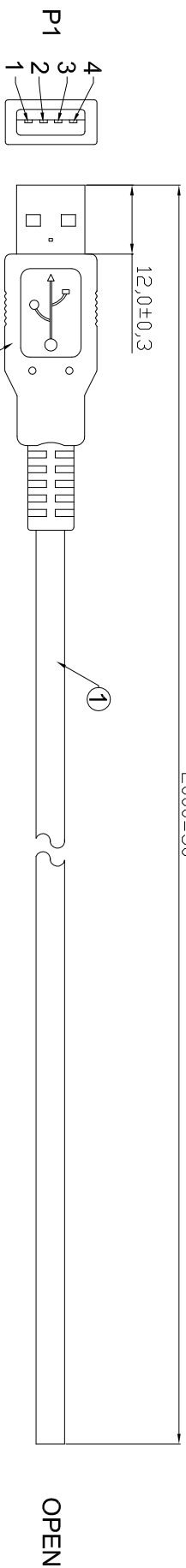
6

7

2000±50

A

A



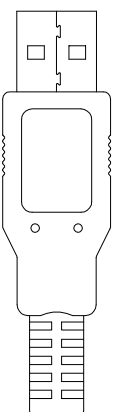
B

B

Cable Black print
 AWM STYLE 2725 80°C 30V VW-1 28AWG/1P 24AWG/2C
 ---C AWM I/II A 80°C 30V FT1 USB CABLE

C

C



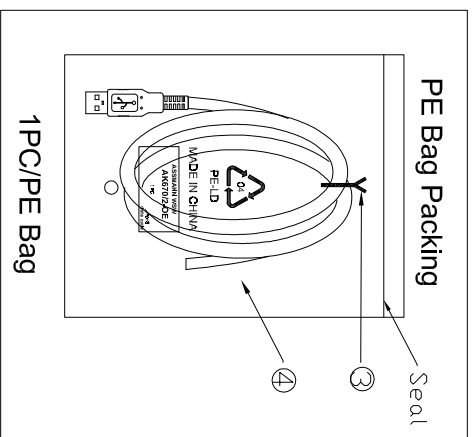
D

D

- Electrical test:**
1. 100% short, open, miss wire test
 2. Conduct resistance: 2 Ohm max.
 3. Insulator resistance: 5MΩ min.
 4. Dielectric test: DC 300V

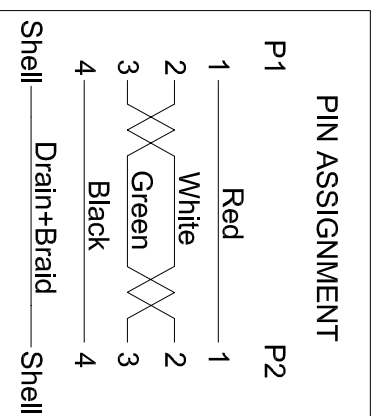
E

E



F

F



⑤	PE Bag	1	Clear Print black "MADE IN CHINA"+ "1PC"
④	TIE	1	White
③	Out Jacket	NA	Beige(BG002) PVC-45P
②	CONN	1	USB A Male Shell:Nickel Pin:G/F Insulator color:White
①	Cable	1	USB2.0 UL2725 28#/1P+24#/2C+AEB OD:4.7mm Beige(BG002)

ROHS compliant
 Unit: mm

G

G

Scale	Free	Customer-No.
TOLERANCE		ASSMANN WSW-No.
		AK670/2-OE
DIM	TOL	Drawing-No.
		ASS 7642 CA
Angle	TOL	Replace
		Sheet

H

H

Id.	Modification	Date	Name
①	Drawn	09.05.2016	Amy

ASSMANN
 WSW components

1

2

3

4

5

6

7