

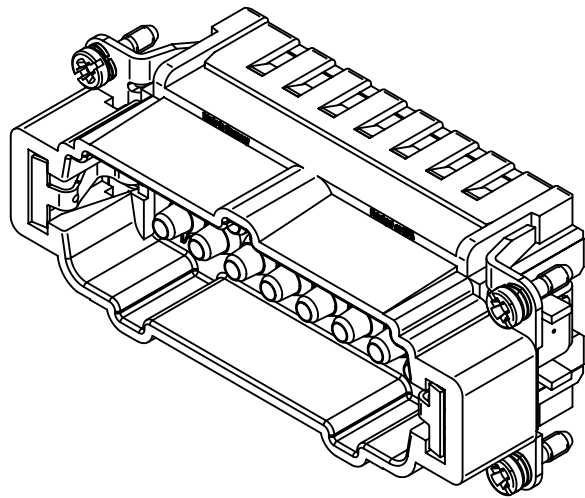
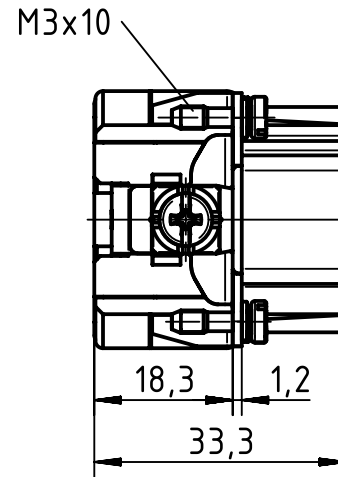
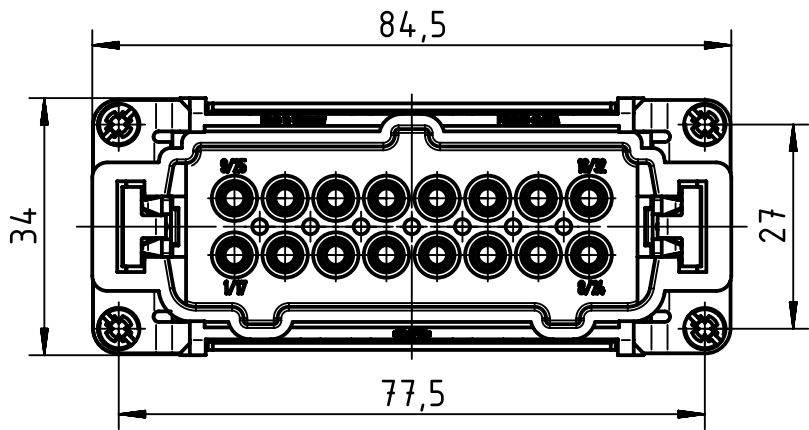
1 2 3 4 5 6

A

B

C

D



	All Dimensions in mm Original Size DIN A4		Scale 1:1	Free size tol.		Ref.
			Created by FINKEV	Inspected by SCHMIDTM	Standardisation TIEMANNA	Date 2013-05-17
All rights reserved Department EL PD - DE		Title <b>Han 16E HMC-M-c</b>		State Final Release		Doc-Key / ECM-Nr. 100527289/UGD/002/A 500000062216
HARTING Electric GmbH & Co. KG D-32339 Espelkamp		Type TB	Number <b>09 33 216 2602</b>			Rev. <b>A</b>
						Page 1/1

# Mouser Electronics

Authorized Distributor

Click to View Pricing, Inventory, Delivery & Lifecycle Information:

[HARTING:](#)

[19302100447](#)