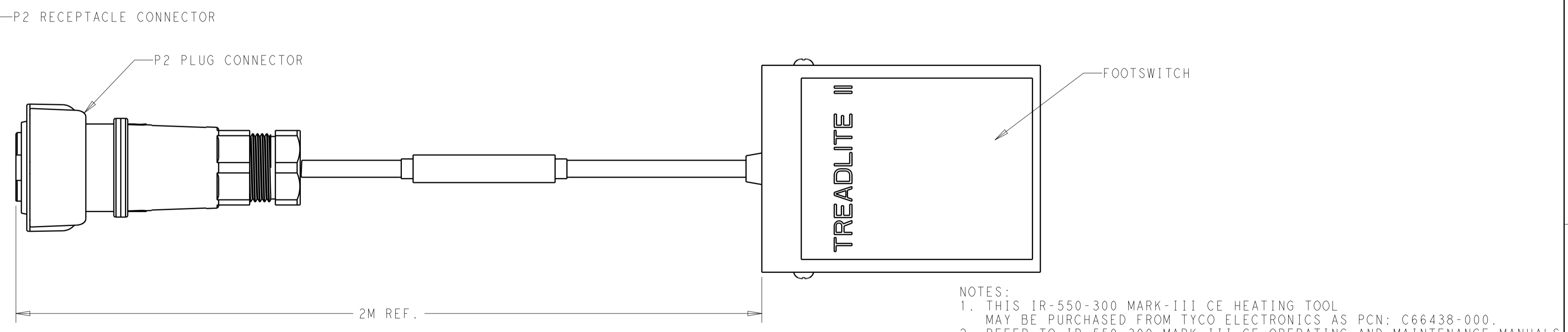
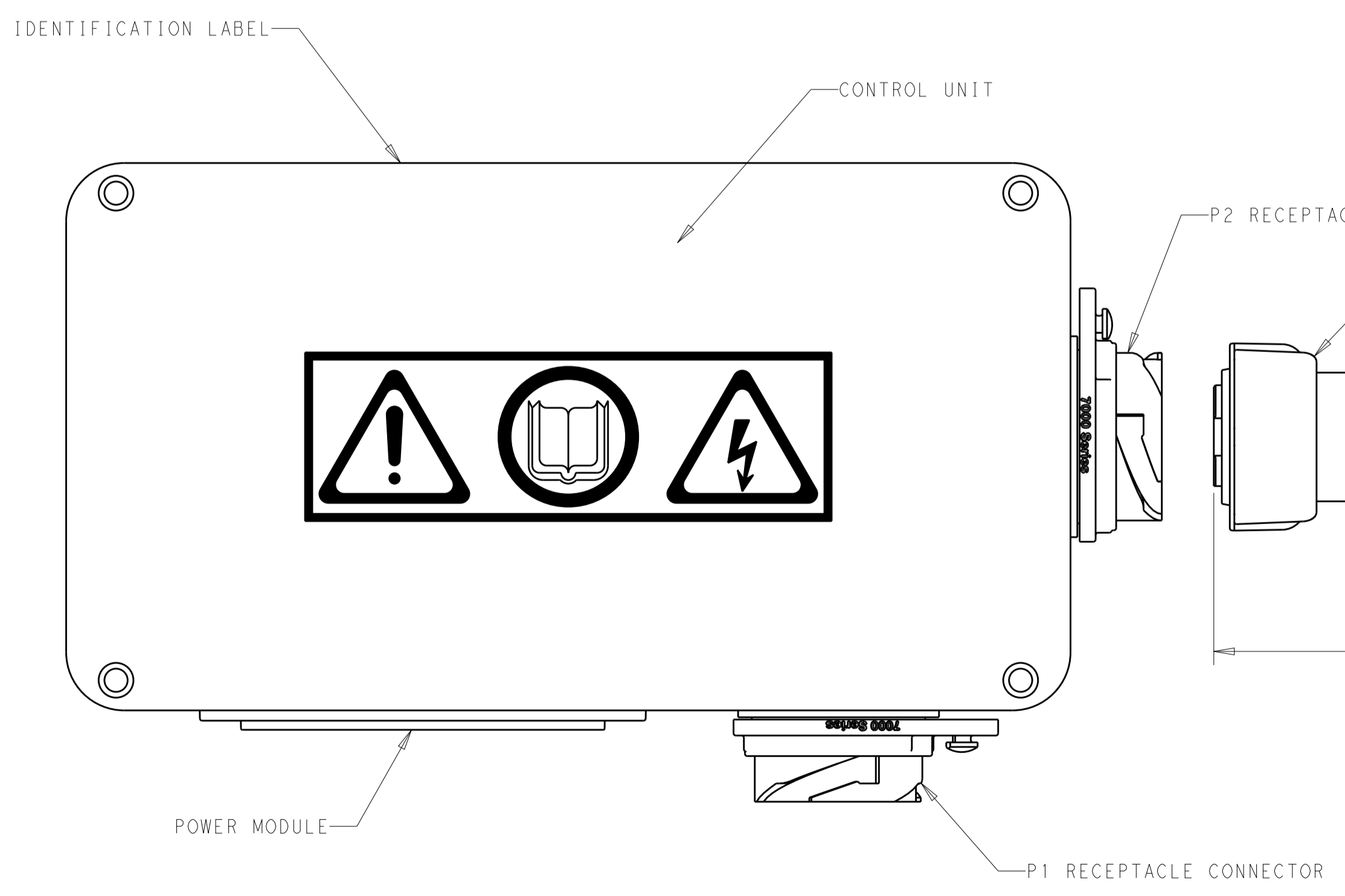
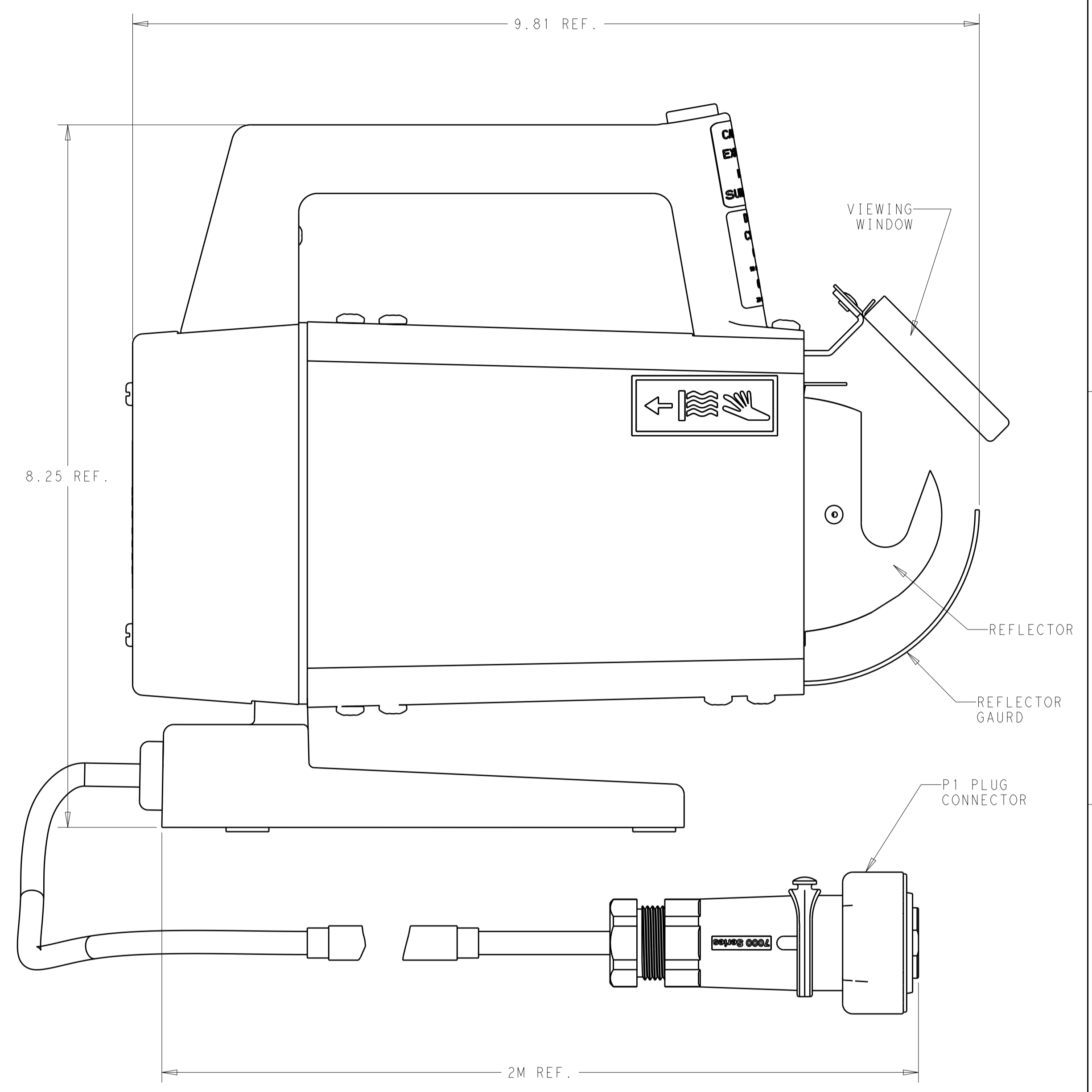
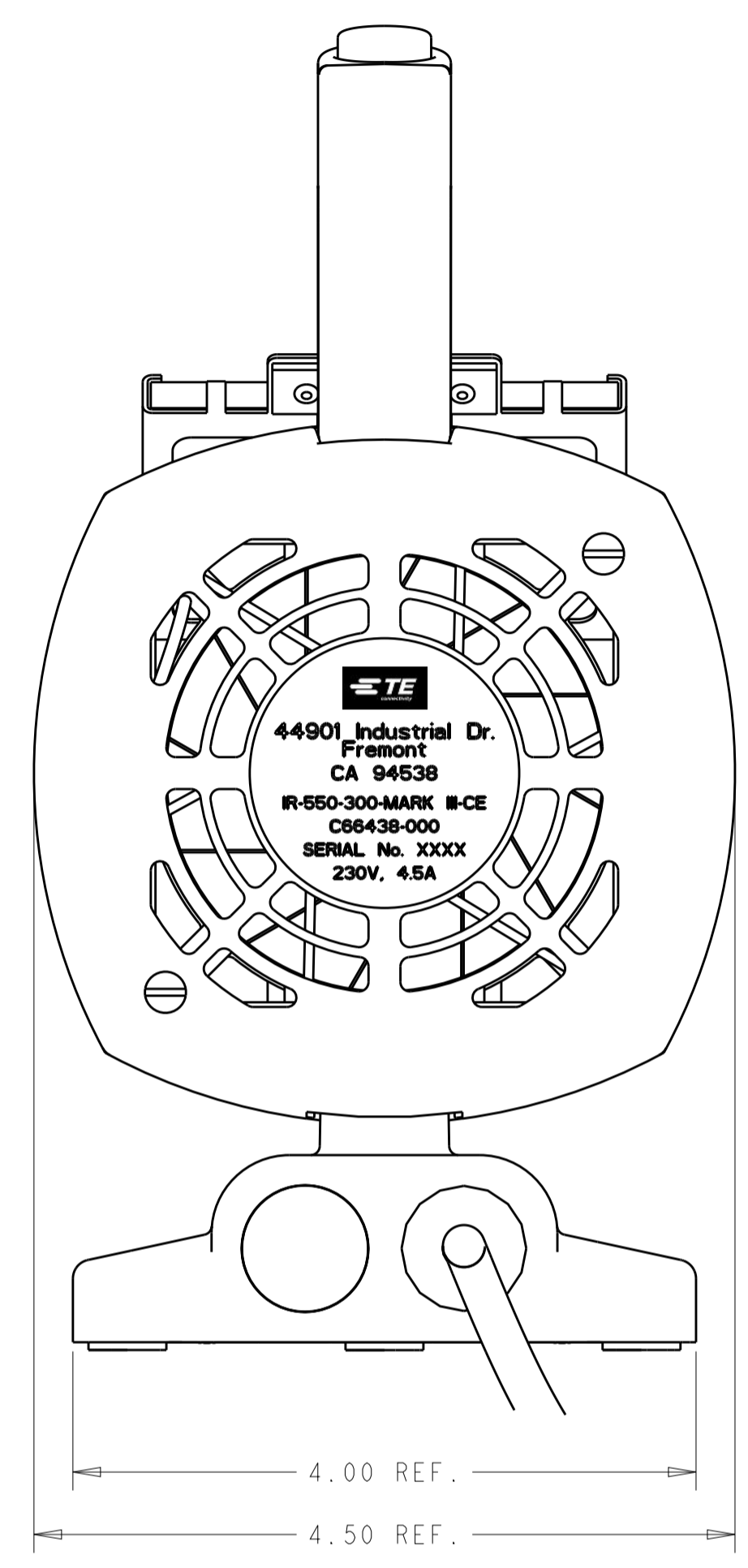
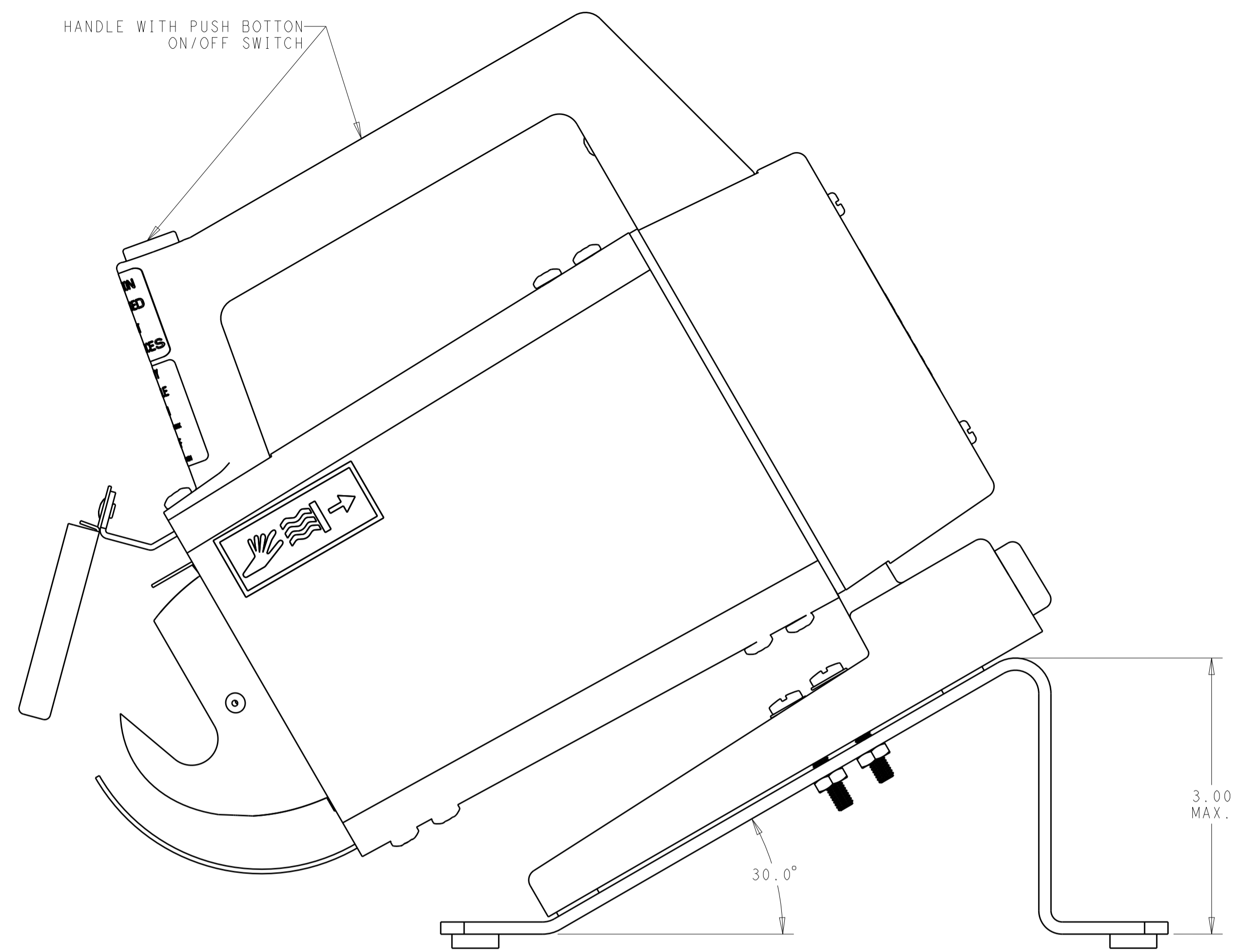


REVISIONS				
P.	LTM	DESCRIPTION	DATE	APVD
C		REVISED PER ECO-18-004462	29MAR2018	KH NN



- NOTES:
- THIS IR-550-300 MARK III-CE HEATING TOOL MAY BE PURCHASED FROM TYCO ELECTRONICS AS PCN: C66438-000.
  - REFER TO IR-550-300 MARK III-CE OPERATING AND MAINTENANCE MANUALS FOR COMPLETE OPERATING INSTRUCTIONS.
  - SPECIFICATIONS:  
 INPUT POWER - 230 VAC.  
 WEIGT - 5.5 LBS.  
 DUTY CYCLE - 80%, 90 SECOND HEATING TIMES.
  - THE IR-550-300 MARK III-CE IS SUPPLIED WITH TWO POWER CORDS:  
 IR-550-300 MARK III-CE EUR-PWR-CORD  
 IR-550-300 MARK III-CE UK-PWR-CORD

THIS DRAWING IS A CONTROLLED DOCUMENT.		DWN: A. GAD 11SEP2015	TE Connectivity
DIMENSIONS: INCHES		CHK: N. NAGAR 11SEP2015	
TOLERANCES UNLESS OTHERWISE SPECIFIED:		APVD: H. SMITH 11SEP2015	NAME: IR-550-300 MARK III-CE HEATING TOOL 230 VAC SERVICE
0 PLC	±	PRODUCT SPEC	SIZE: CAGE CODE: DRAWING NO: RESTRICTED TO
1 PLC	±	APPLICATION SPEC	A100779C=IR-550-300
2 PLC	±	WEIGHT	SCALE: NTS SHEET 1 OF 1 REV C
3 PLC	±	CUSTOMER DRAWING	
4 PLC	±		
ANGLES	±		
MATERIAL			
FINISH			