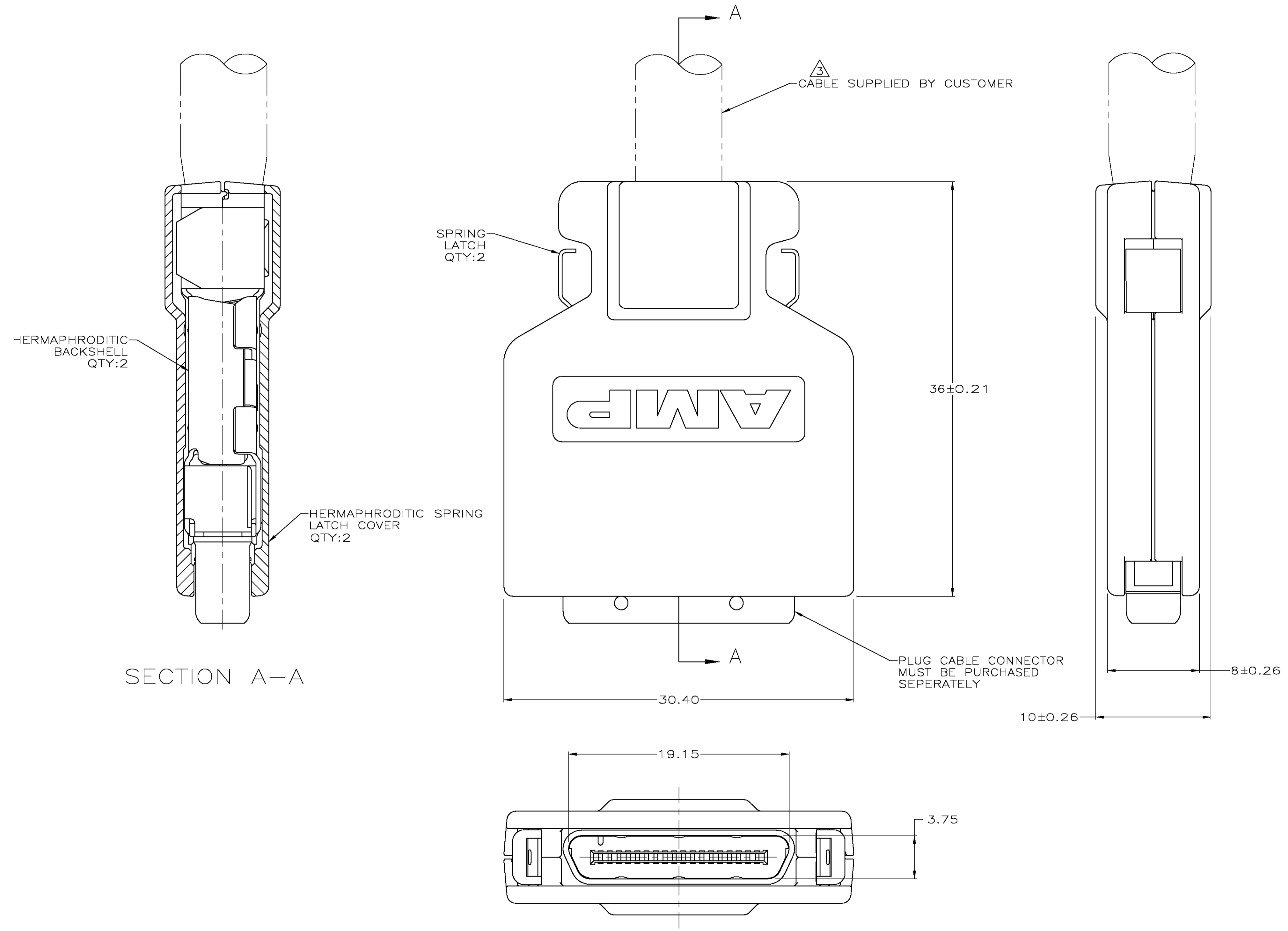


LOC		DIST		REVISIONS			
P	LR	DESCRIPTION	DATE	DRN	APPD		
C		REDRAWN PER EC 0513-0148-04		OBMAR05	TS	JG	



- △ MATERIAL:  
 HERMAPHRODITIC BACKSHELL- STEEL.  
 SPRING LATCH- STAINLESS STEEL.  
 HERMAPHRODITIC SPRING LATCH COVER- UL 94V-0 RATED  
 ABS MOLDING COMPOUND, COLOR-BLACK.
- △ PLATING:  
 HERMAPHRODITIC BACKSHELL- 5µm MIN BRIGHT NICKEL OVER  
 2.5µm MIN COPPER.
- △ RECOMMENDED WIRE: 30 AWG WITH A 0.56-0.64 INSULATION DIAMETER,  
 WIRE MUST BE APPROVED BY AMP ENGINEERING.

OBSELETE	INDIVIDUAL KIT	787231-2
	BULK, 100 KITS	787231-1
	PACKAGING	PART NUMBER

THIS DRAWING IS A CONTROLLED DOCUMENT.

DRN T. SHUEY	OBMAR05	<b>tyco</b> Electronics	Tyco Electronics Corporation Harrisburg, Pa 17105-3608	
CHK J. GERACE	OBMAR05		NAME	
APPD W. WALMSLEY	OBMAR05	PRODUCT SPEC	BACKSHELL KIT, 36 POSITION, SQUEEZE TO RELEASE, CABLE CONNECTOR, 0.8mm CHAMP	
		APPLICATION SPEC	SIZE	CAGE CODE
			A1	00779
		WEIGHT	DRAWING NO	
			C=787231	
		CUSTOMER DRAWING	SCALE	SHEET
			5:1	1 OF 1

# Mouser Electronics

Authorized Distributor

Click to View Pricing, Inventory, Delivery & Lifecycle Information:

[TE Connectivity:](#)

[787231-1](#)