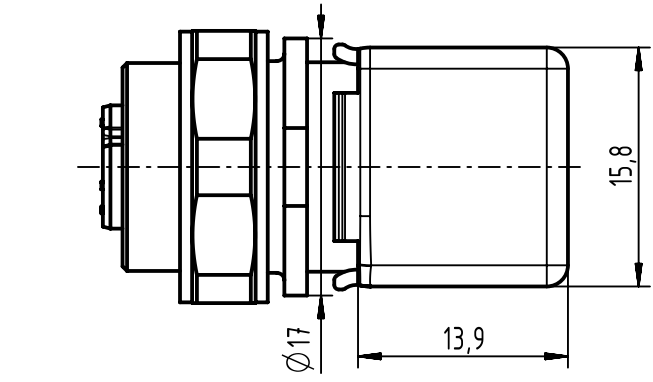


1 recommended PCB-thickness: 1.6mm



	All rights reserved Department EL PD HARTING Electronics GmbH D-32339 Espelkamp	All Dimensions in mm Original Size DIN A4		Scale 2:1	Free size tol.	Ref. Sub.
		Created by DYCKC	Inspected by WELLMANN	Standardisation HOFFMANN	Date 2018-04-06	State Final Release
		Title HARTING M12 PFT D-coded IP20			Rev. H Page 1/1	
		Type TB		Number 21033814410		

Mouser Electronics

Authorized Distributor

Click to View Pricing, Inventory, Delivery & Lifecycle Information:

[HARTING:](#)

[21033814410](#)