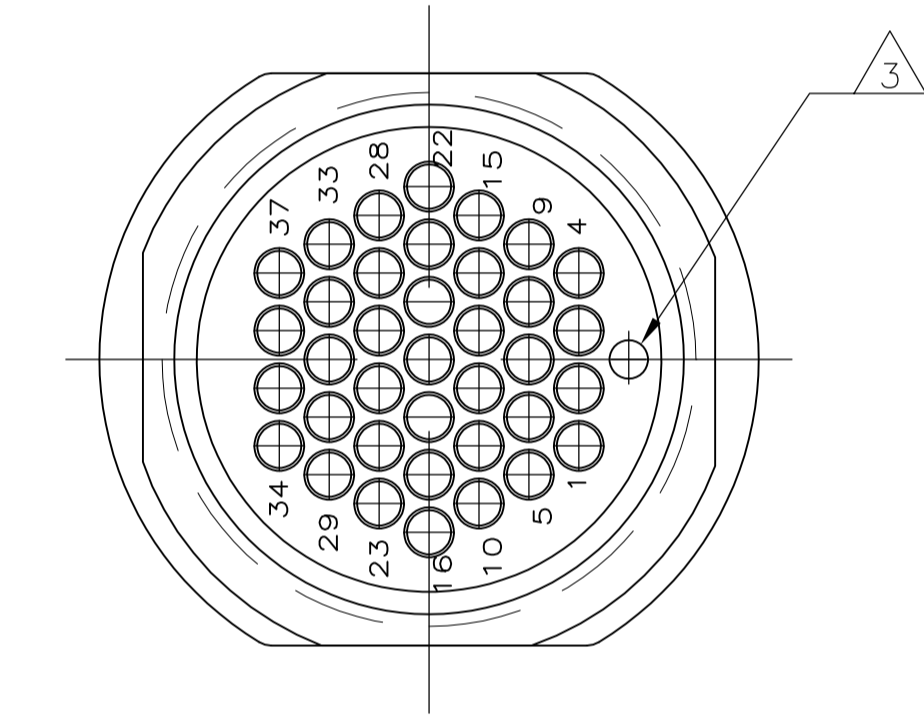
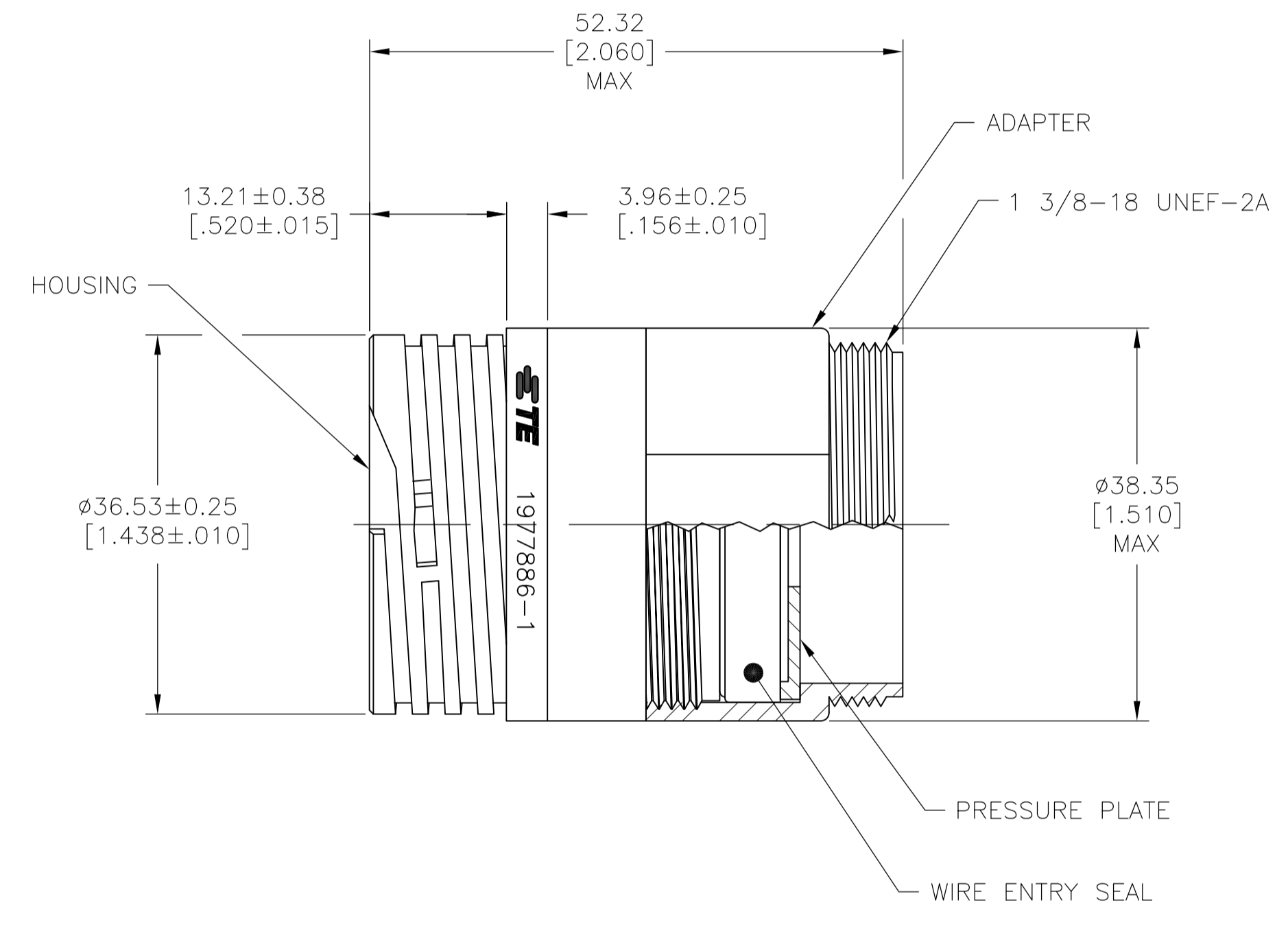
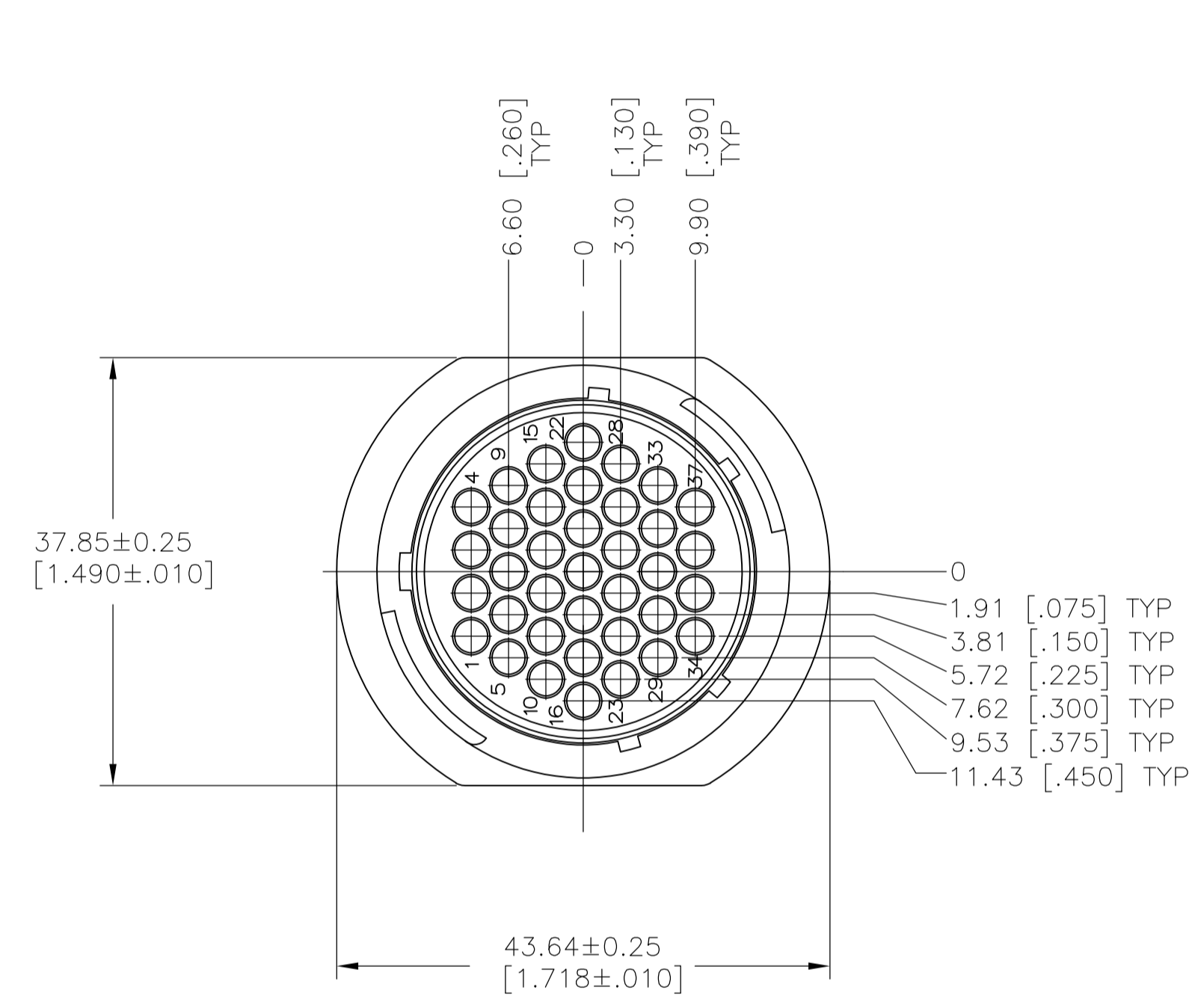


LOC		DIST		REVISIONS			
FT	0	REV	DATE	BY	CHK	APPV	
A		NEW DRAWING PER ECO-12-018480	08NOV12	KH	MZ		

- 1 ADAPTER AND HOUSING: NYLON, BLACK.
WIRE ENTRY SEAL: ELASTOMER, RED-IRON OXIDE.
PERIPHERAL SEAL: ELASTOMER, GREY.
- 2 CONNECTOR WILL ACCEPT (37) MULTIMATE PIN CONTACTS.
- 3 ORIENTATION HOLE USED IN THE MANUFACTURING PROCESS ONLY.
THIS HOLE IS NOT INTENDED FOR WIRE INSERTION.



1977886-1
PART NUMBER

THIS DRAWING IS A CONTROLLED DOCUMENT.		DIN KIRAN HOLAL 08NOV12		TE Connectivity	
DIMENSIONS: mm [INCHES]		CHK M ZITTO 08NOV12			
TOLERANCES UNLESS OTHERWISE SPECIFIED:		APPV M ZITTO 08NOV12		NAME	
0 PLC ± -		PRODUCT SPEC		CPC FREE HANGING RECEPTACLE ASSEMBLY, SERIES 1, SEALED, 23-37, STANDARD SEX, UV RESISTANT	
1 PLC ± -		APPLICATION SPEC		108-1579	
2 PLC ± ± 0.13(.005)		SIZE		A1	
3 PLC ± -		CAGE CODE		00779	
4 PLC ± -		DRAWING NO		1977886	
ANGLES ± -		WEIGHT		-	
FINISH -		CUSTOMER DRAWING		SCALE 2:1 SHEET 1 OF 1 REV A	

Mouser Electronics

Authorized Distributor

Click to View Pricing, Inventory, Delivery & Lifecycle Information:

[TE Connectivity:](#)

[1977886-1](#)